

# HILTI

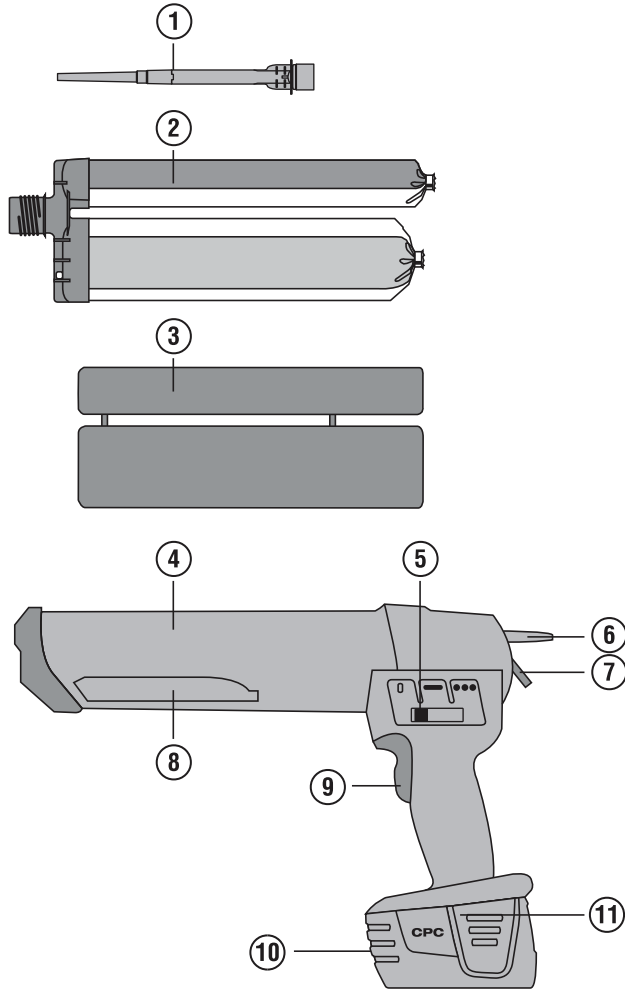
## HIT-ED 3500-A

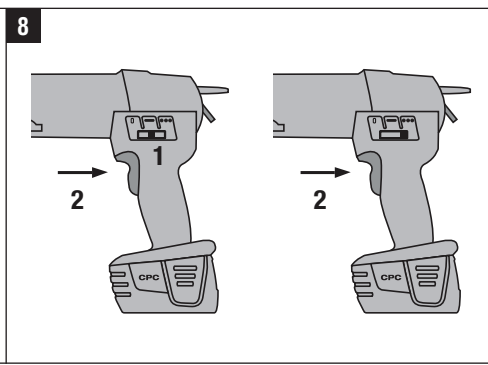
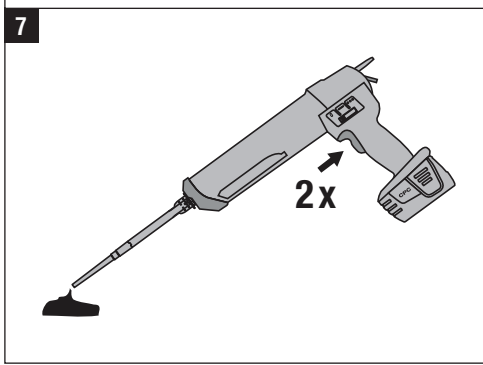
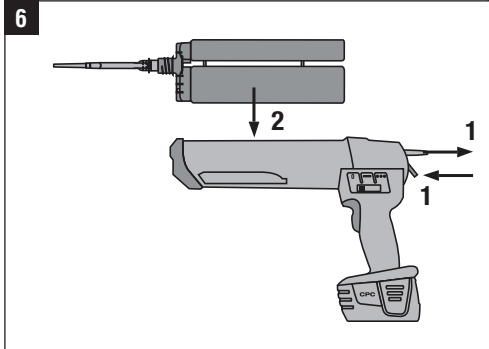
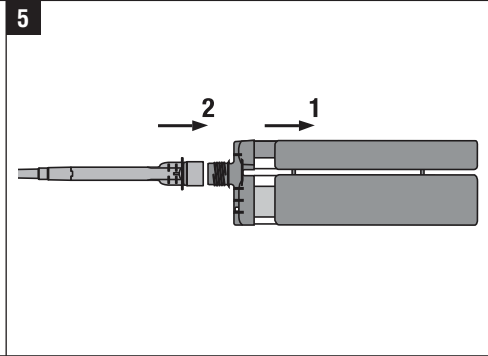
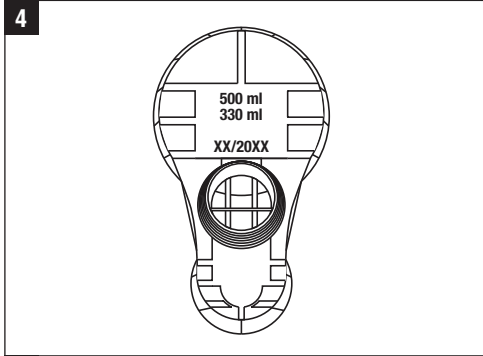
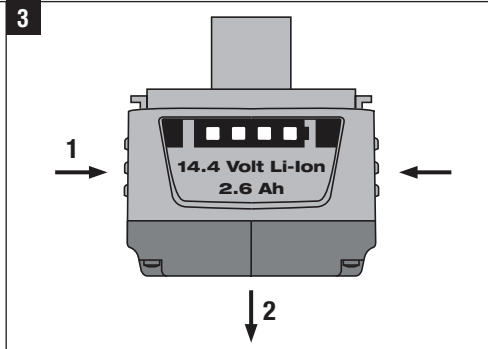
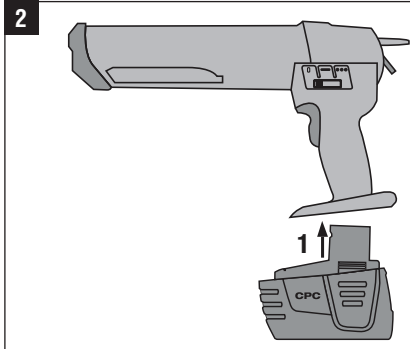
Operating instructions

en

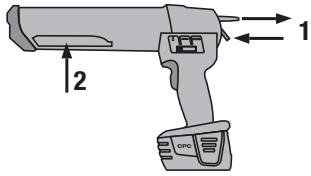


CE

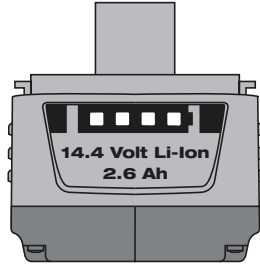




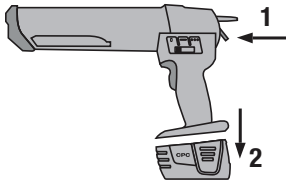
9



10



11



# ORIGINAL OPERATING INSTRUCTIONS

## ED 3500-A dispenser

en

***It is essential that the operating instructions are read before the tool is operated for the first time.***

***Always keep these operating instructions together with the tool.***

***Ensure that the operating instructions are with the tool when it is given to other persons.***

Contents	Page
1. General information	1
2. Description	2
3. Accessories	3
4. Technical data	3
5. Safety instructions	4
6. Before use	6
7. Operation	7
8. Care and maintenance	9
9. Troubleshooting	10
10. Disposal	11
11. Manufacturer's warranty	11
12. EC declaration of conformity	12

**1** These numbers refer to the corresponding illustrations. The illustrations can be found on the fold-out cover pages. Keep these pages open while studying the operating instructions.

In these operating instructions, the designation "the tool" always refers to the ED 3500-A cordless dispenser.

### Parts, operating controls and indicators **1**

- ① Static mixer for use with Hilti foil packs (please refer to the corresponding instructions for use)
- ② Hilti foil pack
- ③ Foil pack holder with piston
- ④ Metal-reinforced impact-resistant plastic cradle for the foil pack holder
- ⑤ Selector switch (off, continuous operation, single stroke)
- ⑥ Parallel piston rods with plastic grip for pulling the rods back
- ⑦ Release button
- ⑧ Opening for removing the foil pack holder
- ⑨ Trigger for controlling the amount of mortar dispensed
- ⑩ Li-ion battery
- ⑪ Battery release buttons (also used to activate the charge status display)

## 1. General information

### 1.1 Safety notices and their meaning

#### **DANGER**

Draws attention to imminent danger that will lead to serious bodily injury or fatality.

#### **WARNING**

Draws attention to a potentially dangerous situation that could lead to serious personal injury or fatality.

#### **CAUTION**

Draws attention to a potentially dangerous situation that could lead to slight personal injury or damage to the equipment or other property.

#### **NOTE**

Draws attention to an instruction or other useful information.

### 1.2 Explanation of the pictograms and other information

#### Warning signs



General warning



Warning: electricity



Warning: caustic substances

## Obligation signs



Wear eye protection.



Wear protective gloves



Wear protective clothing

## Symbols



Read the operating instructions before use.



Return waste material for recycling.



"Off" position



Continuous operation



Single stroke

## Location of identification data on the tool

The type designation and serial number can be found on the type identification plate on the appliance. Make a note of this data in your operating instructions and always refer to it when making an enquiry to your Hilti representative or service department.

Type: \_\_\_\_\_

Generation: 01 \_\_\_\_\_

Serial no.: \_\_\_\_\_

## 2. Description

### 2.1 Use of the product as directed

The ED 3500-A cordless dispenser is to be used exclusively with Hilti foil packs in 330ml or 500ml sizes. The tool is designed to dispense the contents of Hilti foil packs in a controlled operation. The tool is equipped with a holder for Hilti foil packs. Use of foil packs from a third party is not permissible.

The appliance is designed for professional use and may be operated, serviced and maintained only by trained, authorized personnel. This personnel must be informed of any special hazards that may be encountered. The appliance and its ancillary equipment may present hazards when used incorrectly by untrained personnel or when used not as directed.

Never point the tool toward yourself or other persons.

Do not use the battery as a power source for other unspecified appliances.

Modification of the appliance or tampering with its parts is not permissible.

To avoid the risk of injury, use only genuine Hilti tools and accessories.

Observe the information printed in the operating instructions concerning operation, care and maintenance.

The working environment may be as follows: construction site, workshop, renovation, conversion or new construction.

Nationally applicable industrial safety regulations must be observed.

### 2.2 Additional items required for operating the tool

B 144/2.6 Li-ion battery and C 4/36 or C 4/36-ACS charger

### 2.3 Li-ion battery charge status and overheating indicator

LEDs light constantly	LEDs blink	Charge status C
LED 1,2,3,4	-	C $\geq$ 75 %

LEDs light constantly	LEDs blink	Charge status C
LED 1,2,3	-	$50 \% \leq C < 75 \%$
LED 1,2	-	$25 \% \leq C < 50 \%$
LED 1	-	$10 \% \leq C < 25 \%$
-	LED 1	$C < 10 \%$
-	LED 1	Battery overheated

## 2.4 Items supplied as standard

- 1 The appliance
- ≥1 Brushes
- 1 Protective glasses
- 1 Hilti toolbox or cardboard box
- 1-2 Holders for foil packs
- 1 Operating instructions

## 3. Accessories

Designation	Short designation
Battery	B 144/2.6 Li-ion
Charger	C 4/36 or C 4/36-ACS

## 4. Technical data

Right of technical changes reserved.

### Power tool

Weight (including battery)	2.55 kg
Selector switch	positions: off, continuous operation, single stroke
Motor stop	electronic overload prevention cut-out

### Noise information (measured in accordance with EN 60745):

Typical A-weighted sound power level	74 dB (A)
Typical A-weighted emission sound pressure level	63 dB (A)
Uncertainty for the given sound level	3 dB (A)

### NOTE

The vibration emission level given in this information sheet has been measured in accordance with a standardised test given in EN 60745 and may be used to compare one tool with another. It may be used for a preliminary assessment of exposure. The declared vibration emission level represents the main applications of the tool. However if the tool is used for different applications, with different accessories or poorly maintained, the vibration emission may differ. This may significantly increase the exposure level over the total working period. An estimation of the level of exposure to vibration should also take into account the times when the tool is switched off or when it is running but not actually doing the job. This may significantly reduce the exposure level over the total working period. Identify additional safety measures to protect the operator from

the effects of vibration such as: maintain the tool and the accessories, keep the hands warm, organisation of work patterns.

Triaxial vibration values (vibration vector sum)	< 2.5 m/s <sup>2</sup>
Uncertainty (K)	1.5 m/s <sup>2</sup>

en

Battery	B 144/2.6 Li-ion
Rated voltage	14.4 V
Capacity	2.6 Ah
Energy content	37.44 Wh
Weight	0.55 kg
Temperature monitoring	Yes
Deep discharge protection	Yes
Type of cell	Lithium-ion
No. of cells	4

## 5. Safety instructions

The safety rules in section 5.1 contain all general safety rules for power tools which, in accordance with the applicable standards, require to be listed in the operating instructions. Accordingly, some of the rules listed may not be relevant to this tool.

### 5.1 General power tool safety warnings

- a) **WARNING! Read all safety warnings and all instructions.** Failure to follow the warnings and instructions may result in electric shock, fire and/or serious injury. **Save all warnings and instructions for future reference.** The term "power tool" in the warnings refers to your mains-operated (corded) power tool or battery-operated (cordless) power tool.

#### 5.1.1 Work area safety

- a) **Keep work area clean and well lit.** Cluttered or dark areas invite accidents.
- b) **Do not operate power tools in explosive atmospheres, such as in the presence of flammable liquids, gases or dust.** Power tools create sparks which may ignite the dust or fumes.
- c) **Keep children and bystanders away while operating a power tool.** Distractions can cause you to lose control.

#### 5.1.2 Electrical safety

- a) **Power tool plugs must match the outlet. Never modify the plug in any way. Do not use any**

**adapter plugs with earthed (grounded) power tools.** Unmodified plugs and matching outlets will reduce risk of electric shock.

- b) **Avoid body contact with earthed or grounded surfaces, such as pipes, radiators, ranges and refrigerators.** There is an increased risk of electric shock if your body is earthed or grounded.
- c) **Do not expose power tools to rain or wet conditions.** Water entering a power tool will increase the risk of electric shock.
- d) **Do not abuse the cord. Never use the cord for carrying, pulling or unplugging the power tool. Keep cord away from heat, oil, sharp edges or moving parts.** Damaged or entangled cords increase the risk of electric shock.
- e) **When operating a power tool outdoors, use an extension cord suitable for outdoor use.** Use of a cord suitable for outdoor use reduces the risk of electric shock.
- f) **If operating a power tool in a damp location is unavoidable, use a residual current device (RCD) protected supply.** Use of an RCD reduces the risk of electric shock.

#### 5.1.3 Personal safety

- a) **Stay alert, watch what you are doing and use common sense when operating a power tool. Do not use a power tool while you are tired or under the influence of drugs, alcohol or medication.**



A moment of inattention while operating power tools may result in serious personal injury.

- b) **Use personal protective equipment. Always wear eye protection.** Protective equipment such as dust mask, non-skid safety shoes, hard hat, or hearing protection used for appropriate conditions will reduce personal injuries.
- c) **Prevent unintentional starting. Ensure the switch is in the off-position before connecting to power source and/or battery pack, picking up or carrying the tool.** Carrying power tools with your finger on the switch or energising power tools that have the switch on invites accidents.
- d) **Remove any adjusting key or wrench before turning the power tool on.** A wrench or a key left attached to a rotating part of the power tool may result in personal injury.
- e) **Do not overreach. Keep proper footing and balance at all times.** This enables better control of the power tool in unexpected situations.
- f) **Dress properly. Do not wear loose clothing or jewellery. Keep your hair, clothing and gloves away from moving parts.** Loose clothes, jewellery or long hair can be caught in moving parts.
- g) **If devices are provided for the connection of dust extraction and collection facilities, ensure these are connected and properly used.** Use of dust collection can reduce dust-related hazards.

#### 5.1.4 Power tool use and care

- a) **Do not force the power tool. Use the correct power tool for your application.** The correct power tool will do the job better and safer at the rate for which it was designed.
- b) **Do not use the power tool if the switch does not turn it on and off.** Any power tool that cannot be controlled with the switch is dangerous and must be repaired.
- c) **Disconnect the plug from the power source and/or the battery pack from the power tool before making any adjustments, changing accessories, or storing power tools.** Such preventive safety measures reduce the risk of starting the power tool accidentally.
- d) **Store idle power tools out of the reach of children and do not allow persons unfamiliar with the power tool or these instructions to operate the power tool.** Power tools are dangerous in the hands of untrained users.
- e) **Maintain power tools. Check for misalignment or binding of moving parts, breakage of parts**

**and any other condition that may affect the power tool's operation. If damaged, have the power tool repaired before use.** Many accidents are caused by poorly maintained power tools.

- f) **Keep cutting tools sharp and clean.** Properly maintained cutting tools with sharp cutting edges are less likely to bind and are easier to control.
- g) **Use the power tool, accessories and tool bits etc. in accordance with these instructions, taking into account the working conditions and the work to be performed.** Use of the power tool for operations different from those intended could result in a hazardous situation.

#### 5.1.5 Battery tool use and care

- a) **Recharge only with the charger specified by the manufacturer.** A charger that is suitable for one type of battery pack may create a risk of fire when used with another battery pack.
- b) **Use power tools only with specifically designated battery packs.** Use of any other battery packs may create a risk of injury and fire.
- c) **When battery pack is not in use, keep it away from other metal objects, like paper clips, coins, keys, nails, screws or other small metal objects, that can make a connection from one terminal to another.** Shorting the battery terminals together may cause burns or a fire.
- d) **Under abusive conditions, liquid may be ejected from the battery; avoid contact. If contact accidentally occurs, flush with water. If liquid contacts eyes, additionally seek medical help.** Liquid ejected from the battery may cause irritation or burns.

#### 5.1.6 Service

- a) **Have your power tool serviced by a qualified repair person using only identical replacement parts.** This will ensure that the safety of the power tool is maintained.

### 5.2 Additional safety rules

#### 5.2.1 Battery tool use and care

- a) **Ensure the switch is in the off position before inserting battery pack.** Inserting the battery pack into power tools that have the switch on invites accidents.
- b) **Do not expose batteries to high temperatures or fire.** This presents a risk of explosion.

- c) **Do not disassemble, squash or incinerate batteries and do not subject them to temperatures over 80°C.** A risk of fire, explosion or injury through contact with caustic substances may otherwise result.
- d) **Avoid ingress of dampness.** Dampness may cause a short circuit resulting in a risk of burning injury or fire.
- e) **Do not use batteries other than those approved for use with the applicable tool or appliance.** Use of other batteries or use of the battery for purposes for which it is not intended presents a risk of fire and explosion.
- f) **Observe the special instructions applicable to the transport, storage and use of Li-ion batteries.**
- g) **Avoid short-circuiting the battery.** Before inserting the battery in the tool or appliance, check that the terminals of the battery and the tool or appliance are free from foreign objects. Short-circuiting the battery terminals presents a risk of fire, explosion or contact with caustic substances.
- h) **Do not charge or continue to use damaged batteries (e.g. batteries with cracks, broken parts, bent or pushed-in and/or pulled-out contacts).**
- i) **Hold tool by insulated gripping surfaces when performing an operation where the cutting tool may contact hidden wiring or its own cord.** Contact with a “live” wire will make exposed metal parts of the tool “live” and shock the operator.

### 5.2.2 Work area safety

- a) **Ensure that the workplace is well ventilated.**
- b) **Children must be instructed not to play with the appliance.**
- c) **This appliance is not intended for use by persons (including children) with reduced physical, sensory or mental capabilities, or lack of experience and knowledge, unless they have been given supervision or instruction concerning use of the appliance by a person responsible for their safety.**

### 5.2.3 Personal protective equipment



The user and any other persons in the vicinity must wear protective clothing, suitable eye protection and protective gloves while the power tool is in use.

## 6. Before use



### 6.1 Battery use and care

#### NOTE

Use a battery only when it has been fully charged. This ensures that maximum battery capacity is available. Change to the second battery as soon as a drop in performance is noticed. Recharge the battery immediately so that it is ready for reuse.

Battery performance drops at low temperatures. For optimum results it is recommended that the items to be used are at room temperature before work begins. The battery must be kept warm, i.e. within its normal operating temperature range, when working outdoors in low temperatures.

### 6.2 Charging the battery



#### DANGER

**Use only the Hilti batteries and Hilti chargers listed under “Accessories”.**

#### 6.2.1 Charging a new battery for the first time

Charge the battery fully before using it for the first time.

#### 6.2.2 Charging a previously used battery

Ensure that the outer surfaces of the battery are clean and dry before inserting it in the corresponding charger.

Read the operating instructions for the charger for further information about the charging procedure. Li-ion batteries are ready for use at any time, even when only partly charged. Charging progress is indicated by the LED display (see charger operating instructions).

### 6.3 Fitting the battery 2

#### CAUTION

**Before inserting the battery, check that the selector switch is in the “off” position. Use only the Hilti batteries approved for use with this power tool.**

#### CAUTION

**Before inserting the battery in the tool or appliance, check that the terminals of the battery and the tool or appliance are free from foreign objects.**

1. Push the battery into the power tool from below as far as it will go and until it is heard to engage with a click.
2. **CAUTION** A falling battery may present a risk of injury to yourself or others.  
Check that the battery is seated securely in the tool.

### 6.4 Removing the battery 3

1. Press both battery release buttons.
2. Pull the battery out of the tool from below.

## 7. Operation



### 7.1 Further instructions for use

#### DANGER

**The information contained in the instructions for use of the various foil packs and in the safety data sheets for chemical products must be observed.**

The tool begins to operate if the trigger is pressed while the selector switch is in the “single stroke” or “continuous operation” position. To prevent inadvertent operation causing battery drain or mortar being dispensed, the selector switch must be left in the “off” position during transport or storage.

Use of genuine Hilti parts ensures maximum safety. The dispenser, the foil pack holder and the foil packs are perfectly matched to each other.

The tool will achieve high performance, high battery capacity and long life if handled carefully and maintained correctly.

**IMPORTANT!** The motor cut-out will be activated if the tool is overloaded. Press the release button to relieve pressure in the tool. After 5 seconds, the tool will then be ready for further use.

### 7.2 Preparing a foil pack for use 4 5

#### CAUTION

**Check the expiry date printed on the foil pack connector. Use of the product after the expiry date is not permissible.**

#### CAUTION

**Check the foil pack holder for damage and/or soiling.** Both pistons in the foil pack holder must move smoothly and easily in both directions over the full length of their travel. **Damaged and/or badly soiled foil pack holders must be replaced.**

#### DANGER

**Check the foil pack for damage. Never use damaged foil packs.**

#### CAUTION

**When in use, the temperature of the foil pack must not fall below the minimum temperature given in the applicable instructions for use of the product.**

1. Push the foil pack into the holder from the front, as far as it will go.
2. Screw the static mixer all the way onto the foil pack.

### 7.3 Inserting the holder with foil pack into the tool 6

#### NOTE

Foil pack holders are available as accessories.

1. Pull the piston rods back fully while pressing the release button.
2. Grip the foil pack holder by the small cylinder and insert it into the tool from above, tipping it slightly to the side before pushing it down into position.
3. **IMPORTANT!** The foil pack holder must be inserted all the way into the tool. Push the foil pack holder down slightly to ensure that it is correctly seated.

### 7.4 Dispensing 7 8

#### DANGER

**Never point the tool toward yourself or other persons.**

#### CAUTION

**The initial quantity dispensed by the first strokes of the dispenser is unsuitable for use. The quantity to be discarded is product specific and is indicated in the applicable instructions for use. The initial quantity must also be discarded after changing a mixer.**

#### NOTE

To allow the contents of the first strokes of the dispenser to be discarded (this initial quantity is inadequately mixed), the dispenser must be set to "single stroke".

**WARNING!** Pull the trigger and hold it in this position until the dispenser switches itself off. This will ensure that a full stroke is dispensed.

1. Subsequently, when ready to begin using the dispenser, set the selector switch to either "single stroke" or "continuous operation", as desired.
2. Press the trigger to dispense the mortar. The foil pack is opened automatically by the piercing system incorporated in the connector. The two components can be seen to mix as they pass through the static mixer.

3. Press the release button after finishing dispensing or if the operation is interrupted. This relieves the pressure on the foil pack, so no further mortar escapes from the mixing nozzle. Mortar in the mixing nozzle hardens if dispensing is interrupted for a long period.
4. The mixing nozzle must then be changed to allow use of the mortar remaining in the foil pack.
5. Please refer to the instructions provided with the foil pack for further information about use of the product.

### 7.5 Removing the foil pack 9

#### NOTE

Store partly-used foil packs in the foil pack holder with the mixing nozzle screwed on. Partly-used foil packs have a limited shelf life. Please refer to the instructions supplied with the foil pack.

#### NOTE

Foil pack holders are available as accessories.

1. Pull the piston rods back fully while pressing the release button.
2. Push up the small cylinder through the opening and then remove the complete foil pack holder.

### 7.6 Disposing of a foil pack

#### CAUTION

**Dispose of completely emptied foil packs in accordance with the applicable regulations.**

The foil pack holder can be reused. When a new foil pack is inserted into the holder, the built-in pistons are pushed back into their original position.

### 7.7 Reading the charge status LED display on Li-ion batteries 10

#### NOTE

The charge status cannot be indicated while the power tool is in operation. LED 1 blinks when the battery is fully discharged or when it is too hot (temperature above 80°C). The battery must then be inserted in the charger.

The Li-ion battery features a charge status LED display. The charge status is indicated by the LEDs on the battery during charging (please refer to the operating instructions for the charger). When the battery is not in use, pressing one of the battery release buttons or inserting the battery into the power tool causes

the battery charge status to be displayed by the four LEDs for three seconds.

### 7.8 Transport and storage **11**

1. The selector switch should be in the “off” position during transport and storage.
2. Remove the battery from the tool before transport and storage.

en

## 8. Care and maintenance

### CAUTION

**Before beginning cleaning, remove the battery from the power tool or appliance in order to prevent unintentional starting.**

### 8.1 Care of the tool

### CAUTION

**Keep the appliance, especially its grip surfaces, clean and free from oil and grease. Do not use cleaning agents which contain silicone.**

The outer casing of the tool is made from impact-resistant plastic.

Do not permit foreign objects to enter the interior of the tool. Clean the outside of the tool at regular intervals with a slightly damp cloth. Do not use a spray, steam pressure cleaning equipment or running water for cleaning. This may negatively affect the electrical safety of the tool.

Oil the piston rods at regular intervals. Mortar adhering to the tool or the foil pack holder must be cleaned off with a cloth before it hardens. Hardened mortar can be removed only by mechanical means. Take care to ensure that the tool is not damaged by cleaning. Check that the piston moves freely in the foil pack holder.

### 8.2 Care of the Li-ion battery

Avoid entrance of moisture.

Charge the battery fully before using it for the first time.

In order to achieve maximum battery life, stop using the battery as soon as a significant drop in performance is noticed.

### NOTE

If use of the power tool or appliance continues, battery discharge is stopped automatically (indicated by LED 1 blinking) before the battery cells suffer damage.

Charge the battery with the Hilti charger approved for use with Li-ion batteries.

### NOTE

- A conditioning charge (as is required with NiCd or NiMH batteries) is not necessary.
- Interruption of the charging procedure has no negative effect on battery life.
- Charging can be started at any time, irrespective of battery charge status, without any negative effect on battery life. There is no memory effect (as with NiCd or NiMH batteries).
- For best results, batteries should be stored fully charged in a cool dry place. Avoid storing the battery in places subject to high ambient temperatures (e.g. at a window) as this has an adverse effect on battery life and increases the rate of self-discharge.
- If the battery no longer reaches full charge, it may have lost capacity due to aging or overstraining. It is possible to continue working with a battery in this condition but it should be replaced in good time.

### 8.3 Maintenance

### WARNING

**Repairs to the electrical section of the appliance may be carried out only by trained electrical specialists.**

Check all external parts of the appliance for damage at regular intervals and check that all controls operate faultlessly. Do not operate the appliance if parts are damaged or when the controls do not function faultlessly. If necessary, the appliance should be repaired by Hilti Service.

## 8.4 Checking the tool after care and maintenance

After carrying out care and maintenance, check that moving parts function faultlessly, that no parts are

sticking, broken or damaged and that the tool operates faultlessly.

en

## 9. Troubleshooting

Fault	Possible cause	Remedy
The tool doesn't work.	The battery is discharged or fitted incorrectly.	The battery must engage with an audible click or, respectively, needs to be charged.
	Electrical fault.	Remove the battery from the power tool and contact Hilti Service.
The power tool doesn't work and all 4 LEDs blink.	The power tool has been overloaded briefly.	Release the switch and press it again.
	The overheating prevention cut-out has been activated.	Allow the power tool to cool down.
The power tool doesn't work and 1 LED blinks.	The battery is discharged.	Change the battery and recharge the discharged battery.
	The battery is too hot or too cold.	Bring the battery to room temperature.
The battery runs down more quickly than usual.	Battery condition is not optimal.	Have the battery condition checked by Hilti or replace the battery.
The battery doesn't engage with an audible click.	The retaining lugs on the battery are dirty.	Clean the retaining lugs and check that the battery engages securely. Contact Hilti Service if the problem persists.
The tool or battery get very hot.	Electrical fault.	Switch the tool off immediately, remove the battery and contact Hilti Service.
	The power tool has been overloaded (application limits exceeded).	Use the right power tool for the job (don't use a low-powered tool for heavy work).
The tool doesn't work in single-stroke mode.	Foil pack not inserted.	Insert a foil pack.
	Foil pack inserted incorrectly.	Insert the foil pack correctly. See section: 7.2 Preparing a foil pack for use <b>4 5</b> See section: 7.3 Inserting the holder with foil pack into the tool <b>6</b>
The power tool switches itself off automatically.	The overload cut-out has been activated.	Wait 5 seconds and then switch on again. Check whether mortar has hardened in the mixer and replace it if necessary. Contact Hilti Service if the problem persists.

## 10. Disposal

### CAUTION

Improper disposal of the equipment may have serious consequences: The burning of plastic components generates toxic fumes which may present a health hazard. Batteries may explode if damaged or exposed to very high temperatures, causing poisoning, burns, acid burns or environmental pollution. Careless disposal may permit unauthorized and improper use of the equipment. This may result in serious personal injury, injury to third parties and pollution of the environment.

### CAUTION

Dispose of defective batteries without delay. Keep them out of reach of children. Do not attempt to open or dismantle batteries and do not dispose of them by incineration.

### CAUTION

Dispose of the batteries in accordance with national regulations or return them to Hilti.



Most of the materials from which Hilti tools or appliances are manufactured can be recycled. The materials must be correctly separated before they can be recycled. In many countries, Hilti has already made arrangements for taking back old tools and appliances for recycling. Ask Hilti customer service or your Hilti representative for further information.



For EC countries only

Disposal of electric tools or appliances together with household waste is not permissible.

In observance of European Directive 2002/96 EC and 2006/66/EC on waste electrical and electronic equipment and its implementation in accordance with national law, electric tools, appliances and batteries that have reached the end of their life must be collected separately and returned to an environmentally compatible recycling facility.

## 11. Manufacturer's warranty

Hilti warrants that the tool supplied is free of defects in material and workmanship. This warranty is valid so long as the tool is operated and handled correctly, cleaned and serviced properly and in accordance with the Hilti Operating Instructions, and the technical system is maintained. This means that only original Hilti consumables, components and spare parts may be used in the tool.

This warranty provides the free-of-charge repair or replacement of defective parts only over the entire lifespan of the tool. Parts requiring repair or replacement as a result of normal wear and tear are not covered by this warranty.

**Additional claims are excluded, unless stringent national rules prohibit such exclusion. In particular,**

**Hilti is not obligated for direct, indirect, incidental or consequential damages, losses or expenses in connection with, or by reason of, the use of, or inability to use the tool for any purpose. Implied warranties of merchantability or fitness for a particular purpose are specifically excluded.**

For repair or replacement, send the tool or related parts immediately upon discovery of the defect to the address of the local Hilti marketing organization provided.

This constitutes Hilti's entire obligation with regard to warranty and supersedes all prior or contemporaneous comments and oral or written agreements concerning warranties.

## 12. EC declaration of conformity

Designation:	dispenser
Type:	ED 3500-A
Year of design:	2008

en

We declare, on our sole responsibility, that this product complies with the following directives and standards: 2004/108/EC, 2006/66/EC, EN 60745-1, EN 61000-6-3, EN 55014-1, EN 55014-2, until 28.12.2009 98/37/EC, as of 29.12.2009 2006/42/EC.

Hilti Corporation



**Rainer Hüttenberger**  
Senior Vice President  
Business Unit Anchor  
10 2008



**Dr. Michael Leitner**  
Head of Development Anchor  
Business Unit Anchor  
10 2008





**Hilti Corporation**

LI-9494 Schaan

Tel.: +423 / 234 21 11

Fax: +423 / 234 29 65

[www.hilti.com](http://www.hilti.com)



360404