

HILTI

HTE-M16/33

Operating instructions

en

Mode d'emploi

fr

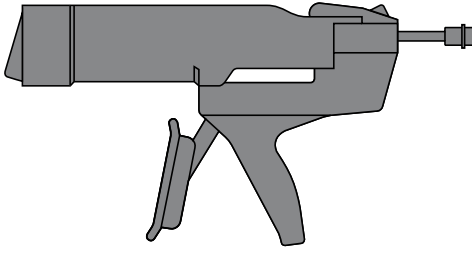
Manual de instrucciones

es

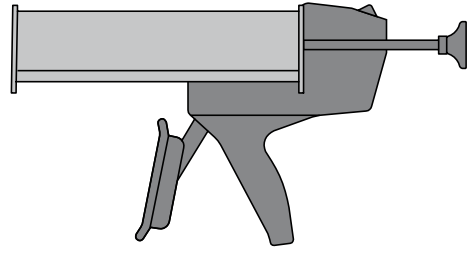
Manual de instruções

pt

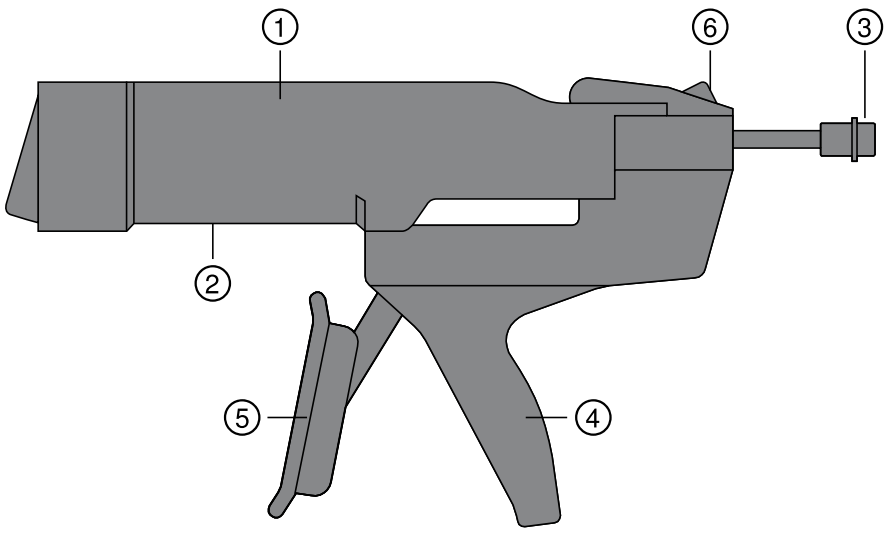
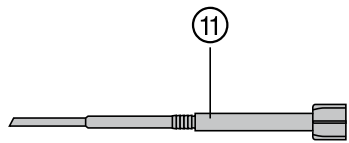
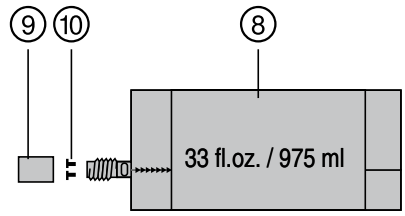
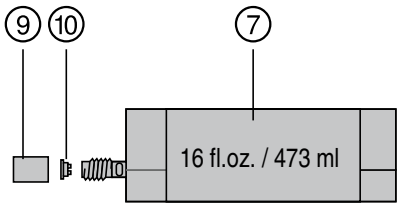
1



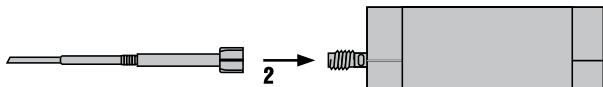
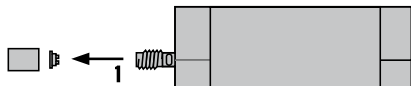
Hilti HTE-M 16



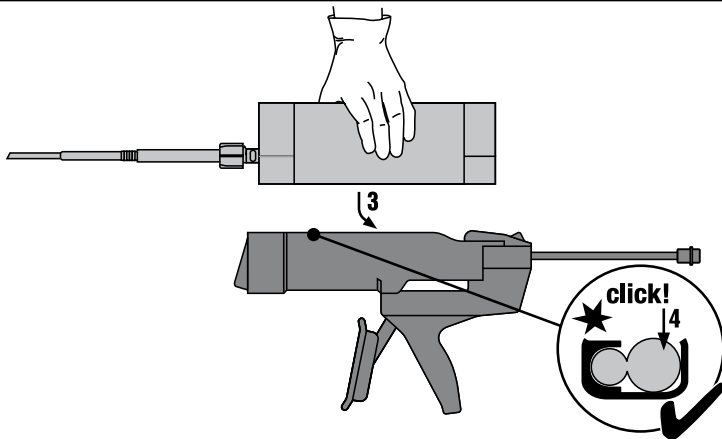
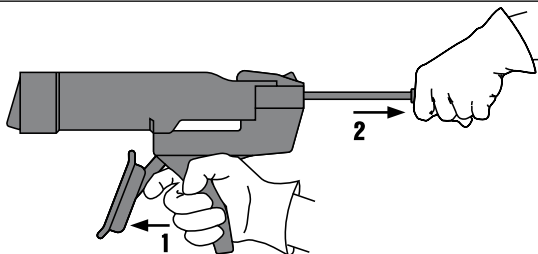
Hilti HTE-M 33



2



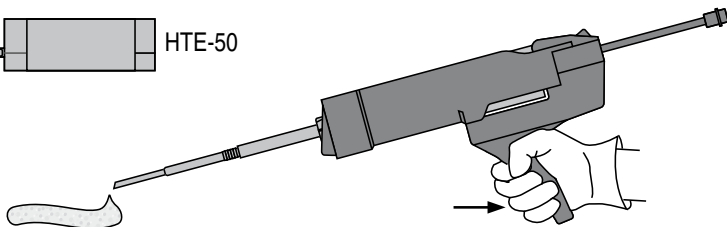
3



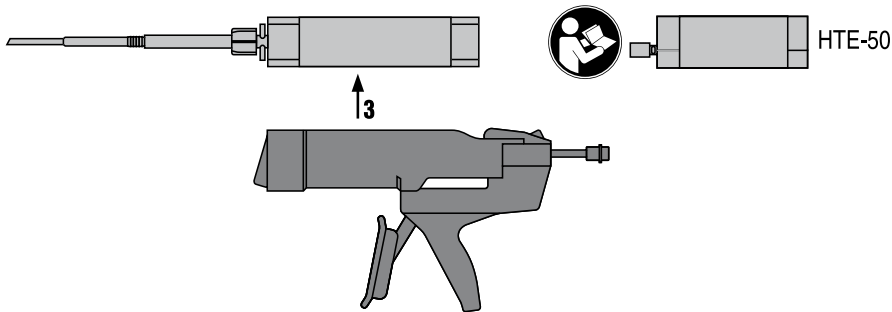
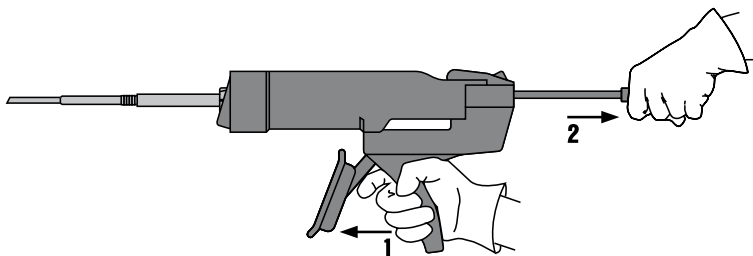
4



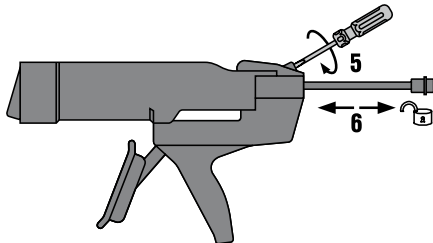
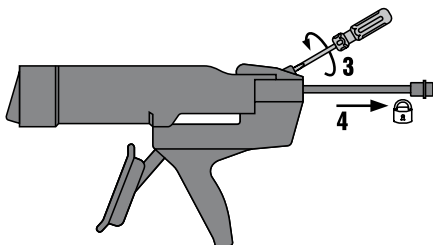
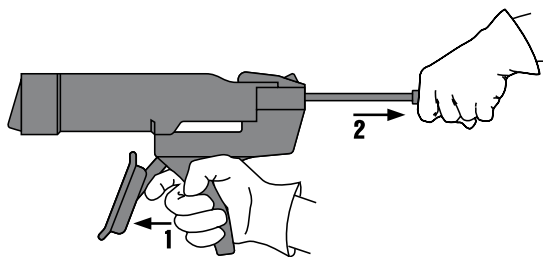
HTE-50



5



6



ORIGINAL OPERATING INSTRUCTIONS

Hilti HTE-M 16/ Hilti HTE-M 33 dispenser

It is essential that the operating instructions are read before the tool is operated for the first time.

Always keep these operating instructions together with the tool.

Ensure that the operating instructions are with the tool when it is given to other persons.

Contents	Page
1 General information	1
2 Description	2
3 Safety instructions	2
4 Operation	3
5 Care and maintenance	3
6 Troubleshooting	4
7 Disposal	4
8 Manufacturer's warranty	5

1 These numbers refer to the corresponding illustrations. The illustrations can be found on the fold-out cover

pages. Keep these pages open while studying the operating instructions.

In these operating instructions, the designation "the tool" always refers to the Hilti HTE-M 16 or Hilti HTE-M 33 manual dispenser.

Operating controls and parts **1**

- 1 Cartridge holder
- 2 Cartridge insertion / removal opening
- 3 Parallel piston rods with pistons and plastic grip for pulling the rods back
- 4 Grip
- 5 Trigger for controlling the dispensing operation and releasing the piston rods
- 6 Piston advance adjustment screw

Consumables

- 7 Hilti HTE-50, 2-component cartridge, contents: 473 ml /16 fl.oz.
- 8 Hilti HTE-50, 2-component cartridge, contents: 975 ml /33 fl.oz.
- 9 Closing cap
- 10 Closing plug
- 11 HTE-M mixing nozzle for use with the Hilti HTE-50

1 General information

1.1 Safety notices and their meaning

DANGER

Draws attention to imminent danger that will lead to serious bodily injury or fatality.

WARNING

Draws attention to a potentially dangerous situation that could lead to serious personal injury or fatality.

CAUTION

Draws attention to a potentially dangerous situation that could lead to slight personal injury or damage to the equipment or other property.

NOTE

Draws attention to an instruction or other useful information.

1.2 Explanation of the pictograms and other information

Warning signs



General warning

Obligation signs



Wear protective clothing



Wear eye protection.



Wear protective gloves.

Symbols



Read the operating instructions before use.



Return waste material for recycling.



National waste material recycling system

en

2 Description

2.1 Use of the product as directed

The Hilti HTE-M 16 is designed to be used to dispense the contents of Hilti HTE-50, 2-component cartridges with a volume of 473 ml / 16 fl.oz.

The Hilti HTE-M 33 is designed to be used to dispense the contents of Hilti HTE-50, 2-component cartridges with a volume of 975 ml / 33 fl.oz.

The tool is designed for professional use and may be operated, serviced and maintained only by trained, au-

thorized personnel. This personnel must be informed of any special hazards that may be encountered.

Modification of the appliance or tampering with its parts is not permissible.

Observe the information printed in the operating instructions concerning operation, care and maintenance.

To avoid the risk of injury, use only genuine Hilti tools and accessories.

Never point the tool toward yourself or other persons.

The appliance and its ancillary equipment may present hazards when used incorrectly by untrained personnel or when used not as directed.

3 Safety instructions

WARNING! Read all instructions! Follow these safety instructions!

3.1 Work area safety

- Ensure that the workplace is well ventilated.
- Ensure that the workplace is well lit.
- Keep work area clean and well lit. Cluttered or dark areas invite accidents.
- Keep children and other persons away from the area while the tool or appliance is in use. Distractions can cause you to lose control.

3.2 Personal safety

- Always hold the machine securely with both hands on the grips provided. Keep the grips dry, clean and free from oil and grease.
- Wear personal protective equipment including protective glasses, protective gloves and overalls.
- Avoid accidental starting.
- Never point the tool toward yourself or other persons.

- Always concentrate on your work. Think carefully about what you are doing and do not use the tool if you are unable to concentrate.

3.3 Power tool use and care

- The tool may be operated only when in faultless condition.
- Use only cartridges of a type approved for use with the tool.
- Do not use damaged cartridges.
- The tool must not be under pressure when changing the cartridge or the mixing nozzle.
- The cartridge holder and pistons must be clean and free from foreign matter.
- Do not attempt to open or disassemble the tool. Repairs may be carried out only by Hilti Service.

3.4 Personal protective equipment

- Wear personal protective equipment while the tool is in use: closely fitting protective glasses or face shield, protective gloves and protective clothing. Wearing personal protective equipment reduces the risk of injury.
- Persons in the immediate vicinity must also wear personal protective equipment while the tool is in use.

4 Operation

CAUTION

Observe the information on the safety data sheets for the product, on the packaging and in the instructions for use of the cartridge before using the tool.

4.1 Preparing a cartridge for use 2

CAUTION

Check the expiry date on the cartridge label. Use of the product after the expiry date is not permissible.

DANGER

Check the cartridge for damage. Never use damaged cartridges.

CAUTION

When in use, the temperature of the cartridge must not fall below the minimum temperature given in the applicable instructions for use of the product.

1. Remove the cap and the plug from the cartridge.
2. Screw the HTE-M mixing nozzle fully onto the thread on the cartridge. A new mixing nozzle should be used with each new cartridge.

4.2 Inserting the cartridge in the tool 3

1. Release the trigger or, respectively, push it forward to release the locking mechanism.
2. Pull the piston rods all the way back.
3. Grip the cartridge by the large cylinder and insert it into the cartridge holder.
4. Push the cartridge into the right position in alignment with the pistons, applying slight pressure until it engages with a click.

4.3 Dispensing 4

DANGER

Never point the tool toward yourself or other persons.

CAUTION

The initial quantity dispensed by the first strokes of the dispenser is unsuitable for use. The quantity to be discarded is product specific and is indicated in the applicable instructions for use. The initial quantity must also be discarded after changing a mixer.

5 Care and maintenance

CAUTION

In order to prevent inadvertent operation, remove the cartridge from the tool before beginning cleaning.

5.1 Care of the tool

CAUTION

Keep the tool, especially its grip surfaces, clean and free from oil and grease.

WARNING

Begin dispensing mortar only after the mixer has been screwed on.

CAUTION

The tool / cartridge must not be under pressure when changing the mixing nozzle.

NOTE

Mortar in the mixing nozzle hardens if dispensing is interrupted for a long period. Screw on a new mixing nozzle when you wish to continue dispensing from the cartridge.

1. To begin dispensing the mortar, pull the trigger several times fully toward the grip.
2. If you wish to interrupt or end the dispensing operation, release the trigger and push it forward. The pressure in the cartridge will then be released, thereby minimizing the tendency for mortar to drip out.

NOTE Please refer to the instructions for the cartridge for further information about use of the mortar.

4.4 Removing / changing the cartridge 5

NOTE

Store partly-used cartridges with a mixing nozzle screwed on. Partly-used cartridges have a limited shelf life. Please refer to the instructions for use of the product.

1. Release the trigger or, respectively, push it forward to release the locking mechanism.
2. Pull the piston rods all the way back.
3. Grip the cartridge at the mixing nozzle and lift it out of the tool.

4.5 Disposing of cartridges

CAUTION

Dispose of empty cartridges in accordance with the official national regulations.

For information about disposing of full, partly-used and completely empty cartridges, please refer to the instructions for use of the product or the applicable safety data sheets.

Clean the outside of the tool at regular intervals with a slightly damp cloth. Do not use a spray, steam pressure cleaning equipment or running water for cleaning. Never dip or soak the tool or its parts in solvents.

Oil the piston rods at regular intervals. Mortar adhering to the tool must be cleaned off with a cloth before it hardens. Hardened mortar can be removed only by

mechanical means. Take care to ensure that the tool is not damaged in the process.

5.2 Adjusting piston advance **6**

NOTE

The tool can be adjusted to compensate for excessive play at the trigger and to regain the full piston stroke. Adjustment may be necessary if the quantity of mortar dispensed with each stroke has decreased due to wear.

WARNING

Remove the cartridge from the tool before making adjustments. Adjustments are not permissible so long as a cartridge is present in the tool.

1. Release the trigger or, respectively, push it forward to release the locking mechanism.
2. Pull the piston rods into the midway position.
3. Turn the adjusting screw counterclockwise until the piston rods cannot be pulled back any further.
4. Then turn the adjusting screw clockwise until the position is reached at which the piston rods can be pushed forward as well as back.

5.3 Checking the tool after care and maintenance

After carrying out care and maintenance, check that moving parts function faultlessly, that no parts are sticking, broken or damaged and that the tool operates faultlessly.

6 Troubleshooting

Fault	Possible cause	Remedy
The tool doesn't work in single-stroke mode.	The cartridge has been inserted incorrectly.	Insert the cartridge correctly. See section: 4.1 Preparing a cartridge for use 2 See section: 4.2 Inserting the cartridge in the tool 3
The trigger cannot be pressed.	The cartridge is not inserted correctly.	Insert the cartridge correctly. See section: 4.2 Inserting the cartridge in the tool 3
The trigger can no longer be pressed after a pause between use.	The mortar has hardened in the mixing nozzle.	Unscrew and remove the mixing nozzle. Screw on a new mixing nozzle.
Trigger action is stiff.	The mortar is too cold.	Observe the permissible application temperature range.
	Flow resistance is too high when a mixing nozzle extension is used.	Shorten the mixing nozzle extension or use a larger diameter.
Inadequate flow of mortar from the mixing nozzle.	The mortar is too cold.	Observe the permissible application temperature range.
	The cartridge is empty.	Insert a new cartridge.
	The piston rods slip.	Use a new tool. Adjust the piston advance movement. See section: 5.2 Adjusting piston advance 6
The cartridge can't be inserted in the tool.	The piston rods are not pulled back fully.	Pull the piston rods back fully.

7 Disposal

CAUTION

Improper disposal of the equipment may have serious consequences: The burning of plastic components generates toxic fumes which may present a health hazard. Careless disposal may permit unauthorized and improper use of the equipment. This may result in serious personal injury, injury to third parties and pollution of the environment.



Most of the materials from which Hilti tools or appliances are manufactured can be recycled. The materials must be correctly separated before they can be recycled. In many countries, Hilti has already made arrangements for taking back old tools and appliances for recycling. Ask Hilti customer service or your Hilti representative for further information.

8 Manufacturer's warranty

Hilti warrants that the tool supplied is free of defects in material and workmanship. This warranty is valid so long as the tool is operated and handled correctly, cleaned and serviced properly and in accordance with the Hilti Operating Instructions, and the technical system is maintained. This means that only original Hilti consumables, components and spare parts may be used in the tool.

Additional claims are excluded, unless stringent national rules prohibit such exclusion. In particular, Hilti is not obligated for direct, indirect, incidental or consequential damages, losses or expenses in connec-

tion with, or by reason of, the use of, or inability to use the tool for any purpose. Implied warranties of merchantability or fitness for a particular purpose are specifically excluded.

For repair or replacement, send the tool or related parts immediately upon discovery of the defect to the address of the local Hilti marketing organization provided.

This constitutes Hilti's entire obligation with regard to warranty and supersedes all prior or contemporaneous comments and oral or written agreements concerning warranties.



Hilti Corporation

LI-9494 Schaan

Tel.: +423/234 21 11

Fax: +423/234 29 65

www.hilti.com

Hilti = registered trademark of Hilti Corp., Schaan

W 4048 | 0913 | 00-Pos. 3 | 1

Printed in Germany © 2013

Right of technical and programme changes reserved S. E. & O.

428659 / A4

