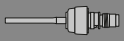

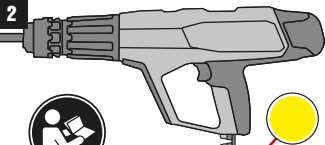

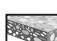
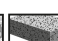




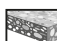




<b>1</b>	<b>X-5-460 FIE-L</b> 	<b>X-5-460 FIE-XL</b> 
	T: 20 - 140 mm	T: 20 - 200 mm

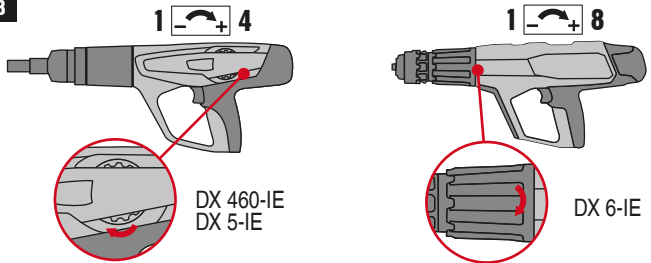
**2**





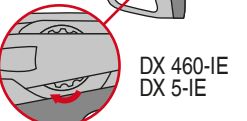
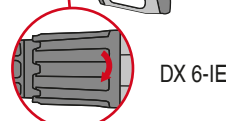
 6.8/11   DX 5-IE  
 6.8/11   DX 460-IE  
 6.8/11   DX 6-IE

 DX 5-IE  
 DX 460-IE  
 DX 6-IE

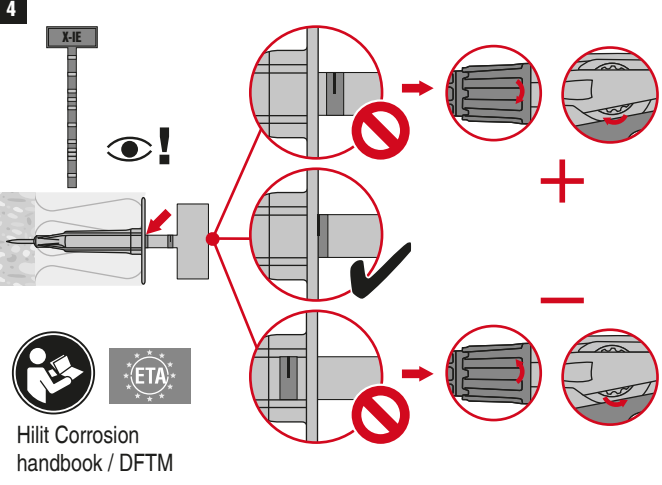
**3**












 

 DX 460-IE  
DX 5-IE  
 DX 6-IE

**4**

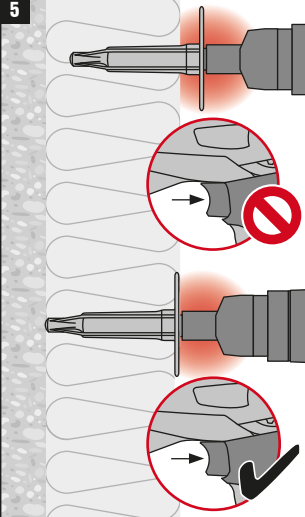


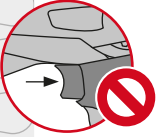
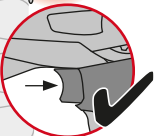
 X-IE  
    

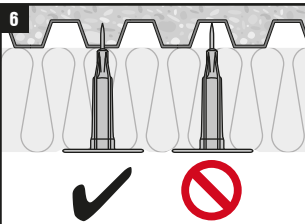
Hilit Corrosion handbook / DFTM



**5**



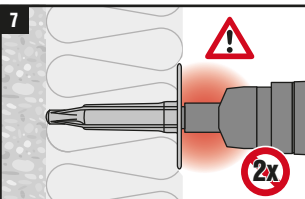
 



**6**



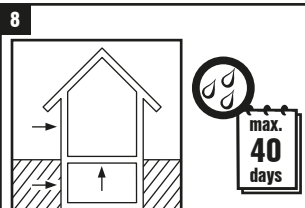
 


**7**



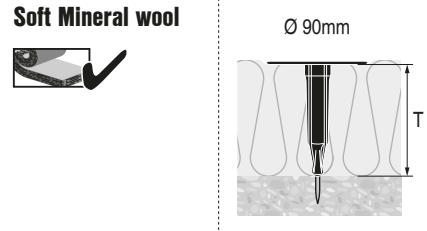
 



**8**



 max. 40 days

**Soft Mineral wool**

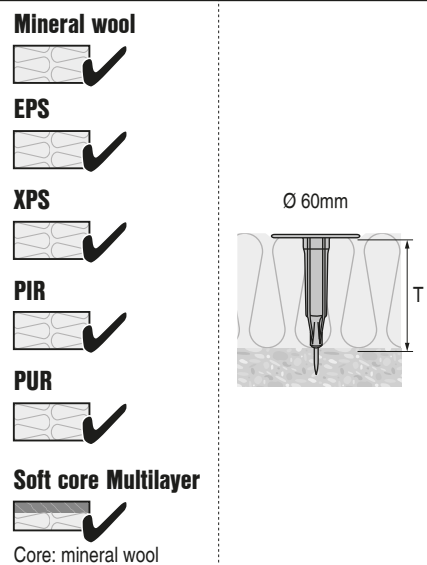




 

Ø 90mm  
 T

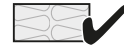

T (mm)	Designation	T (mm)	Designation
50	X-IE 9- 50 BK	120	X-IE 9- 120 BK
60	X-IE 9- 60 BK	140	X-IE 9- 140 BK
80	X-IE 9- 80 BK	160	X-IE 9- 160 BK
90	X-IE 9- 90 BK	180	X-IE 9- 180 BK
100	X-IE 9- 100 BK	200	X-IE 9- 200 BK

**Mineral wool**

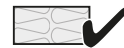





**EPS**



**XPS**

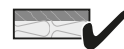

**PIR**

**PUR**

**Soft core Multilayer**

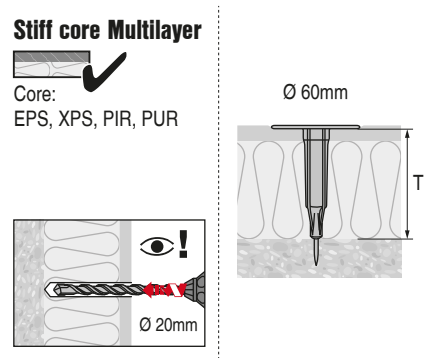
 



Core: mineral wool

Ø 60mm  
 T

T (mm)	Designation	T (mm)	Designation
20	X-IE 6-20	90	X-IE 6-90
25	X-IE 6-25	100	X-IE 6-100
30	X-IE 6-30	120	X-IE 6-120
35	X-IE 6-35	125	X-IE 6-125
40	X-IE 6-40	140	X-IE 6-140
50	X-IE 6-50	150	X-IE 6-150
60	X-IE 6-60	160	X-IE 6-160
70	X-IE 6-70	175	X-IE 6-175
75	X-IE 6-75	180	X-IE 6-180
80	X-IE 6-80	200	X-IE 6-200

**Stiff core Multilayer**





Core: EPS, XPS, PIR, PUR

Ø 60mm  
 T

T (mm)	Designation	T (mm)	Designation
14-17	X-IE 6-20	84-87	X-IE 6-90
19-22	X-IE 6-25	94-97	X-IE 6-100
24-27	X-IE 6-30	114-117	X-IE 6-120
29-32	X-IE 6-35	119-122	X-IE 6-125
34-37	X-IE 6-40	134-137	X-IE 6-140
44-47	X-IE 6-50	144-147	X-IE 6-150
54-57	X-IE 6-60	154-157	X-IE 6-160
64-67	X-IE 6-70	169-172	X-IE 6-175
69-72	X-IE 6-75	174-177	X-IE 6-180
74-77	X-IE 6-80	194-197	X-IE 6-200

  Ø 20mm