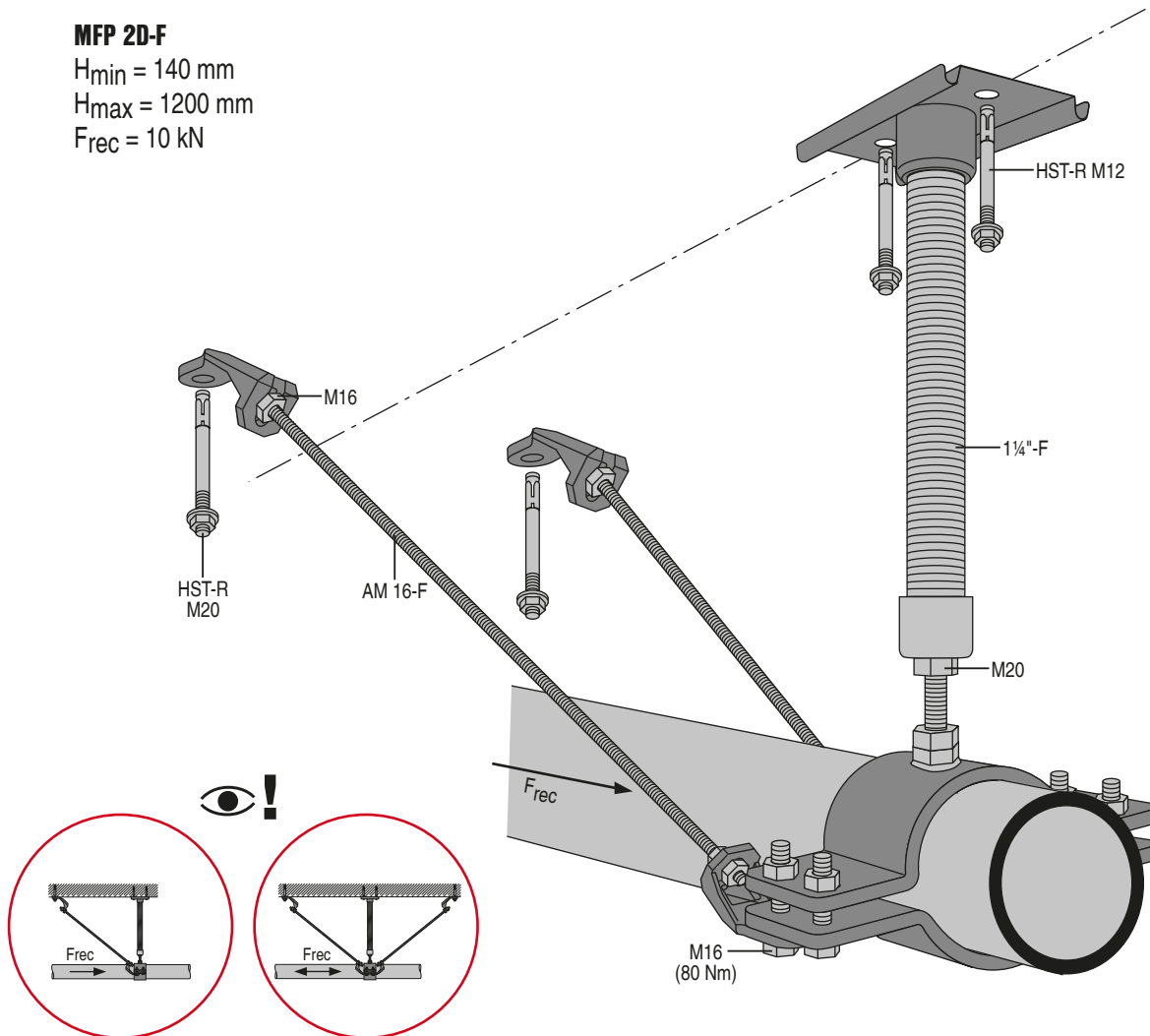


### MFP 2D-F

$H_{min} = 140 \text{ mm}$   
 $H_{max} = 1200 \text{ mm}$   
 $F_{rec} = 10 \text{ kN}$



MFP 2D-F		
MFP-NW ...-F		
MFP-BP 20-F	# 304252	
MFP-AP 2D-F	# 304254	
1 1/4\"-F	# 304783	
2x AM 16-F	# 304777	
2x HST-R M12/20	# 435454	
2x HST-R M20/30	# 376056	
SW 19, SW 24, SW 30		

