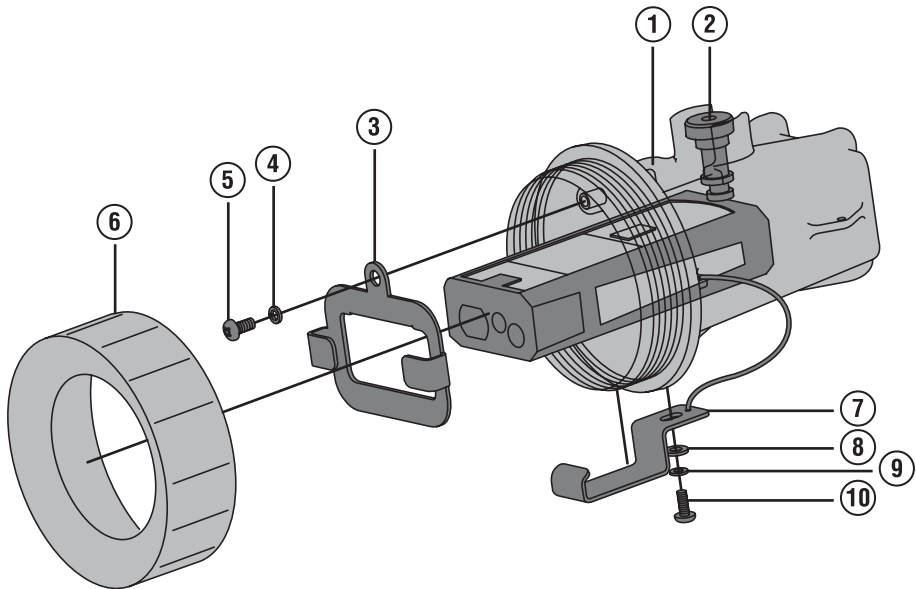




Casing PD

Instructions for use

en



① Casing

Repair Sets

Brass push button

② Brass push button

Clip set

③ PD retaining clip

④ Washer

⑤ Screw

Lens set

⑥ Lens cap

Fastening clip set

⑦ Lens retaining clip

⑧ Washer

⑨ Washer

⑩ Screw

Explosion Proof Enclosure (Casing PD) for Hilti laser range meters

1. General

These instructions pertain to the approved Casing PD for Hilti laser range meter (PD 40 and PD 42) and are for guidance only. They should be considered along with all local mine regulations. For instructions on the use of the PD tools themselves please refer to the appropriate Hilti instruction for use supplied with your PD tool.

2. Assembly & removal of PD tool

To insert or remove the PD tool remove the screw ⑩ and lens retaining clip ⑦ and unscrew the lens cover ⑥. Remove screw ⑤ and the PD Retaining Clip ③. Insert (or remove) the PD tool with the controls upward facing the brass push button ②. Replace the PD retaining clip and screw (⑤ & ③) ensuring that the PD tool is squarely and fully seated within the enclosure. Replace the lens cap ⑥ and secure with the retaining clip and screw (⑦ & ⑩). Torque screws to 16 in-lbs or 1.8 Nm max.

3. Operation

Prior to use always inspect the enclosure for crazing, cracks, damaged or missing components and ensure the lens cover is finger tight.

Do not operate a damaged or incomplete enclosure in a potentially hazardous area - remove it immediately from underground service for maintenance or replacement.

The tool is switched on and operated by depressing the brass push button ②. The laser will automatically switch off after 60 seconds and the tool itself after a period of 10 minutes.

4. Cleaning

The Casing PD is manufactured from a Polycarbonate material – Clean only with a soft cloth dampened with water or isopropyl alcohol. Keep away from caustic fluids, oils and lubricants.

5. Battery replacement

Battery replacement requires removal of the tool from the enclosure as described in “Assembly & removal of PD tool” above and must be carried out in a safe area in accordance with local mine regulations. For detailed information on battery replacement please follow the instructions supplied with your PD tool.

6. Accuracy

Please note the measurement is referenced to the back of the PD tool. The additional length to the back of the explosion proof housing (approximately 6 mm or 1/4 inch) must be added to the measurement.

7. Approvals

MSHA

The MSHA approval (MSHA # 18-A080015-0) covers only the Hilti Casing PD (item no 405039) when used in conjunction with a Hilti laser range meter (PD 40 and PD 42) and when assembled in accordance with these guidelines.

Warning - Any maintenance on the Casing PD or range meter should be carried out in a safe area away from any potentially hazardous environments and in accordance with local mine regulations.



Hilti Corporation

LI-9494 Schaan
Tel.: +423 / 234 21 11
Fax: +423 / 234 29 65
www.hilti.com

