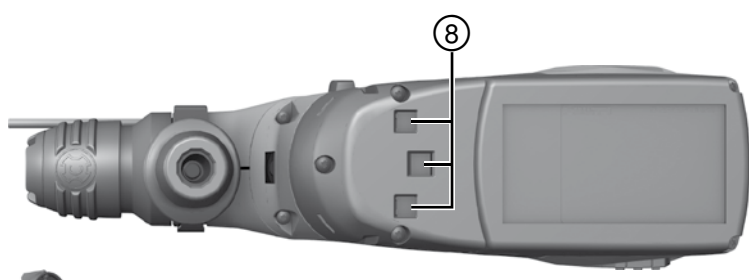
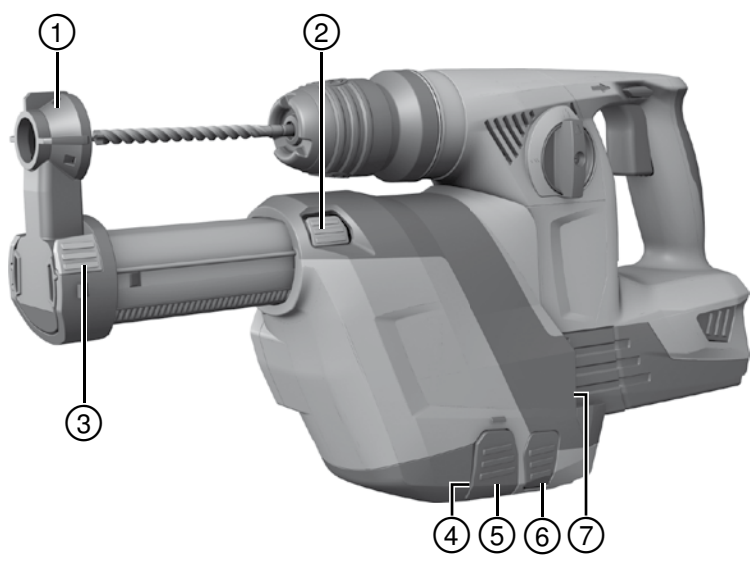
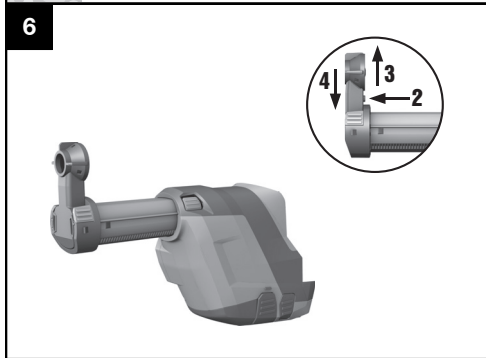
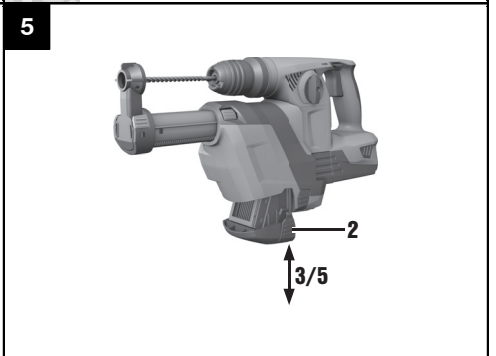
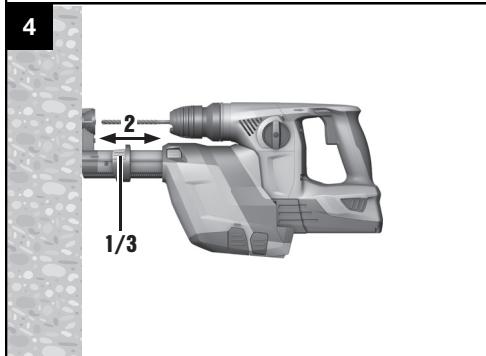
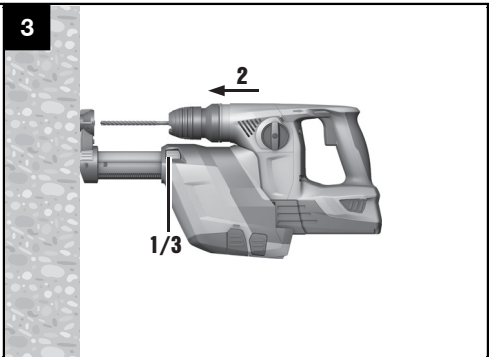
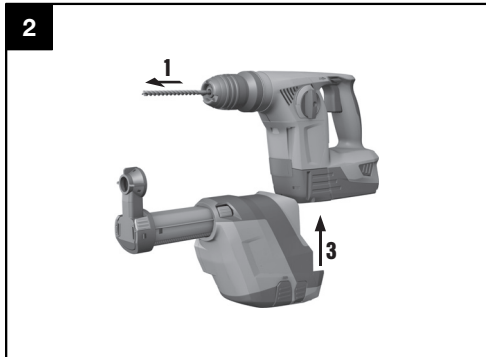


Operating instructions	en
Mode d'emploi	fr
Brugsanvisning	da
Bruksanvisning	sv
Bruksanvisning	no
Käyttöohje	fi
Οδηγίες χρήσεως	el
Инструкция по эксплуатации	ru
Kullanma Talimatı	tr
دليل الاستعمال	ar
Instrukcija	lt
Kasutusjuhend	et
ІНСТРУКЦІЯ З ЕКСПЛУАТАЦІЇ	uk
Пайдалану бойынша басшылық	kk
取扱説明書	ja
사용설명서	ko
操作說明書	zh
操作说明书	cn



1





ORIGINAL OPERATING INSTRUCTIONS

TE DRS-4-A dust removal module

It is essential that the operating instructions are read before the appliance is operated for the first time.

Always keep these operating instructions together with the appliance.

Ensure that the operating instructions are with the appliance when it is given to other persons.

Contents	Page
1 General information	1
2 Safety instructions	2
3 Description	2
4 Technical data	2
5 Before use	3
6 Operation	3
7 Care and maintenance	4
8 Troubleshooting	4
9 Disposal	4
10 Manufacturer's warranty - tools	5
11 EC declaration of conformity (original)	5

1 These numbers refer to the illustrations. You can find the illustrations at the beginning of the operating instructions.

In these operating instructions the designations "the module" or "the appliance" always refer to the TE DRS-4-A dust removal module.

Component parts **1**

- ① Suction head
- ② Stroke limiter
- ③ Depth gauge
- ④ Dust container with filter
- ⑤ Dust container release
- ⑥ DRS release
- ⑦ Guide (tool)
- ⑧ Electrical interface on the tool, with sliding cover
- ⑨ DRS electrical interface

en

1 General information

1.1 Safety notices and their meaning

DANGER

Draws attention to imminent danger that will lead to serious bodily injury or fatality.

WARNING

Draws attention to a potentially dangerous situation that could lead to serious personal injury or fatality.

CAUTION

Draws attention to a potentially dangerous situation that could lead to slight personal injury or damage to the equipment or other property.

NOTE

Draws attention to an instruction or other useful information.

1.2 Explanation of the pictograms and other information

Warning signs



General warning

Obligation signs



Read the operating instructions before use.

Location of identification data on the module

The type designation is shown on the appliance. Always refer to this information when contacting our representative or service center.

Type: _____

Generation: 01 _____

Serial no.: _____

en

2 Safety instructions

WARNING! Read all instructions! Observe all applicable safety rules and the operating instructions for the Hilti rotary hammer used. Failure to observe the instructions could lead to serious injury. **SAVE THESE INSTRUCTIONS.**

Use the side handle of the Hilti rotary hammer for all applications, including when the TE DRS-4-A is fitted.

2.1 Dusts

This dust removal module collects a significant percentage of the dust produced, but not all of it.

WARNING: Some dust created by grinding, sanding, cutting and drilling contains chemicals known to cause cancer, birth defects, infertility or other reproductive harm; or serious and permanent respiratory

or other injury. Some examples of these chemicals are: lead from lead-based paints, crystalline silica from bricks, concrete and other masonry products and natural stone, arsenic and chromium from chemically-treated lumber. Your risk from these exposures varies, depending on how often you do this type of work. **To reduce exposure to these chemicals, the operator and bystanders should work in a well-ventilated area, work with approved safety equipment, such as respiratory protection appropriate for the type of dust generated, and designed to filter out microscopic particles and direct dust away from the face and body. Avoid prolonged contact with dust. Wear protective clothing and wash exposed areas with soap and water.** Allowing dust to get into your mouth, nose, eyes, or to remain on your skin may promote absorption of harmful chemicals.

3 Description

3.1 Use of the product as directed

The TE DRS-4-A(01) dust removal module is an accessory for use with the Hilti TE 4-A22(02) rotary hammer.

The TE DRS-4-A dust removal module is designed for working on dry mineral materials.

The dust removal module is not suitable for use when drilling in metal or wood.

The module is intended for professional use. The module may be operated, serviced and repaired only by author-

ized, trained personnel. This personnel must be informed of any special hazards that may be encountered.

The module and the power tool may present hazards when used incorrectly by untrained personnel or when used not as directed.

To avoid risk of injury, use the module only in conjunction with the Hilti TE 4-A22 rotary hammer.

Tampering with or modification of the module is not permissible.

Please observe national regulations applicable to working with materials hazardous to the health (e.g. asbestos).

4 Technical data

Right of technical changes reserved.

Dust removal module	TE DRS-4-A
Rated power input	60 W
Suction performance	250 l/min
Weight	1.0 kg (2.2 lb.)
Operating stroke	Max. 96 mm (3 ²⁵ / ₃₂ ")
TE-C hammer drill bits used, \varnothing	5 ... 16 mm (3/ ₁₆ ...5/ ₈)

5 Before use

CAUTION

Before making adjustments to the power tool, check that the tool is switched off, the battery has been removed and the safety lock is activated (forward/reverse selector switch in the middle position).

5.1 Fitting the dust removal module 2

NOTE

Dust may be released when the filter container is full. Accordingly, the container should be emptied regularly. Wear respiratory protection when doing this.

NOTE

The suction fan incorporated in the dust removal module is driven by its own motor. This motor is powered by the power tool's battery.

NOTE

Before fitting the dust removal module, check to ensure that the mounting points and the power tool itself, especially the electrical interface on the power tool, are free from dust and other foreign matter. After fitting the dust removal module, check to ensure that it is securely attached.

NOTE

If the power tool is cordless, set the forward / reverse switch to the middle position.

1. Remove the drill bit from the power tool.
2. Remove the depth gauge from the side handle.
3. Position the dust removal module on the guides and push it onto the power tool until it engages.

5.2 Removing the module

1. Remove the drill bit from the power tool.
2. Press the DRS release buttons and hold them in this position.
3. Pull the dust removal module downwards away from the power tool.

6 Operation

6.1 Preparing for use

CAUTION

Before making adjustments to the power tool, check that the tool is switched off, the battery has been removed and the safety lock is activated (forward/reverse selector switch in the middle position).

6.1.1 Length adjustment (stroke) 3

CAUTION

When the stroke limit button is pressed, the telescopic section is released and may then jump out a distance of up to 100 mm (3¹⁵/₁₆").

NOTE

The stroke is normally set for use with drill bits with a total length of 170 mm (6"). The stroke must be adjusted if shorter drill bits are used.

1. To adjust the stroke length, press the stroke limit button and hold it in this position.
2. Press the power tool (with drill bit fitted) against a wall until the tip of the drill bit touches the wall.
3. Release the stroke limit button.

6.1.2 Setting drilling depth (depth gauge) 4

NOTE

If holes require to be drilled to an exact depth (e.g. anchor holes), the correct depth must be determined by drilling test holes.

1. Press the depth gauge button and, while keeping the button pressed, slide the ring to the desired drilling depth setting.
2. Release the depth gauge button.

6.2 Operation

CAUTION

Observe the operating instructions for the Hilti rotary hammer used. Use the dust removal module only in conjunction with the power tools listed in section "Use of the product as directed". Failure to observe this point may present a risk of personal injury.

WARNING

It is essential that national regulations applicable to working with materials hazardous to health (e.g. asbestos) are observed.

6.2.1 Emptying the dust container 5

NOTE

Dust may be released when the filter container is full. Accordingly, the container should be emptied regularly. Wear respiratory protection when doing this.

NOTE

Do not touch the filter material when cleaning it and do not use compressed air to clean it. The filter material may suffer damage.

1. Hold the power tool horizontally and allow it to run for a short time. This ensures that any dust remaining in parts of the dust removal module are drawn into the dust container.
2. Press the dust container release button and hold it in this position.
3. Pull the dust container downwards away from the module.
4. Empty the dust container by tapping it lightly. Avoid releasing an excessive amount of dust into the air.
5. Push the empty dust container back into the dust removal module from below until it engages.

7 Care and maintenance

7.1 Care of the module

CAUTION

Do not use water, oil, grease or cleaning agents.

Use only a dry brush and a cloth to clean the dust removal module. Wear respiratory protection when doing so.

7.2 Replacing the suction head

1. Detach the dust removal module from the power tool.

2. Press the suction head release knob and hold it in this position.
3. Pull the old suction head upwards out of its guide.
4. Press the new suction head into the guide until it engages.

7.3 Maintenance

Check all external parts of the appliance for damage at regular intervals and check that all parts operate faultlessly. Do not operate the appliance if parts are damaged or when the controls do not function faultlessly. If necessary, the appliance should be repaired at a Hilti repair center.

8 Troubleshooting

Fault	Possible cause	Remedy
Excessive dust emission.	The dust container is full.	Empty the dust container.
	The filter is defective.	Replace the filter.
	The suction head is defective.	Replace the suction head.
	The suction head brush is worn.	Replace the suction head.
The drill bit is not centered in the suction head.	The dust removal module is not correctly fitted to the power tool.	Fit the dust removal module to the power tool correctly.

9 Disposal



Most of the materials from which Hilti tools or appliances are manufactured can be recycled. The materials must be correctly separated before they can be recycled. In many countries, Hilti has already made arrangements for taking back old tools and appliances for recycling. Ask Hilti customer service or your Hilti representative for further information.

10 Manufacturer's warranty - tools

Please contact your local Hilti representative if you have questions about the warranty conditions.

11 EC declaration of conformity (original)

Designation:	Dust removal module
Type:	TE DRS-4-A
Generation:	01
Year of design:	2014

We declare, on our sole responsibility, that this product complies with the following directives and standards: 2004/108/EC, 2006/42/EC, 2011/65/EU, EN ISO 12100.

**Hilti Corporation, Feldkircherstrasse 100,
FL-9494 Schaan**



Paolo Luccini
Head of BA Quality and Process Management
Business Area Electric Tools & Accessories
07/2014



Tassilo Deinzer
Executive Vice President
Business Unit Power
Tools & Accessories
07/2014

Technical documentation filed at:

Hilti Entwicklungsgesellschaft mbH
Zulassung Elektrowerkzeuge
Hiltistrasse 6
86916 Kaufering
Deutschland



Hilti Corporation

LI-9494 Schaan

Tel.: +423/234 21 11

Fax: +423/234 29 65

www.hilti.com

Hilti = registered trademark of Hilti Corp., Schaan
Pos. 8 | 20140922



2102962