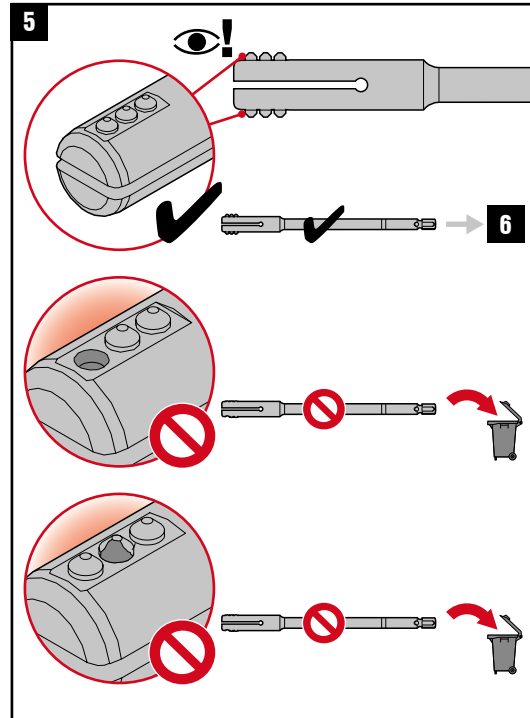


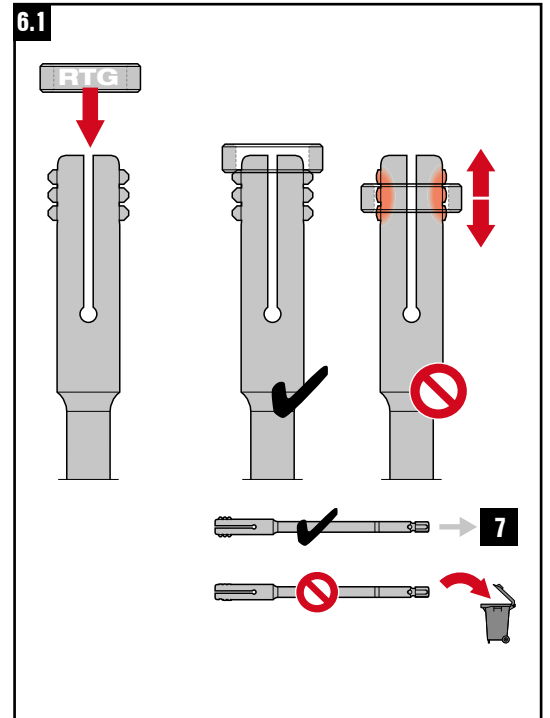
TE-YRT-L		Ø d ₀ [mm]	T2 T4	HCL / HCS / LCL LCS / HWC / UCL
18 / 640	18 / 960	18	✓	✓
20 / 640	20 / 960	20	✓	✓
22 / 800	22 / 1200	22	✓	✓
25 / 800	25 / 1200	25	✓	✓
32 / 1000	32 / 1500	32	✓	✓
35 / 1200	35 / 1800	35	✓	✗

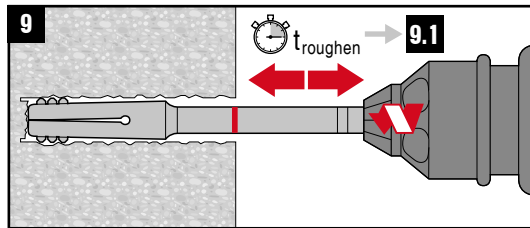
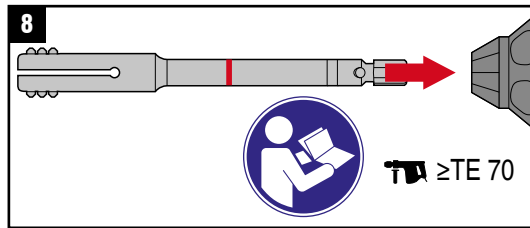
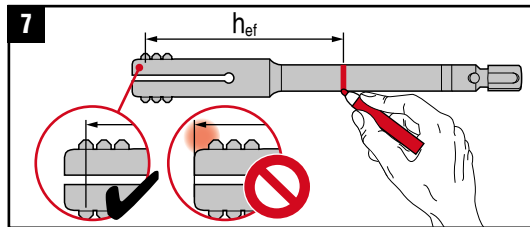
TE-YRT-L		Ø d ₀ [inch]	T2 T4	HCL / HCS / LCL LCS / HWC / UCL
3/4" / 25"	3/4" / 37 1/2"	3/4"	✓	✓
7/8" / 30"	7/8" / 45"	7/8"	✓	✓
1" / 35"	1" / 52 1/2"	1"	✓	✓
1 1/8" / 40"	1 1/8" / 60"	1 1/8"	✓	✓
1 3/8" / 47"	1 3/8" / 71"	1 3/8"	✓	✗



TE-YRT-L		RTG
18 / 640	18 / 960	18
20 / 640	20 / 960	20
22 / 800	22 / 1200	22
25 / 800	25 / 1200	25
32 / 1000	32 / 1500	32
35 / 1200	35 / 1800	35

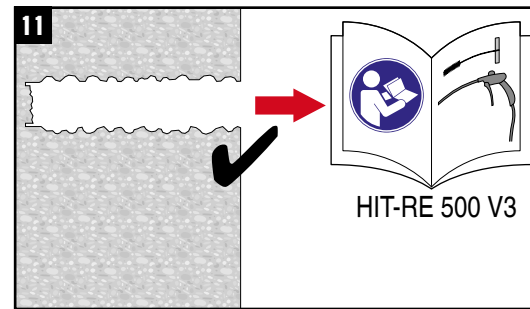
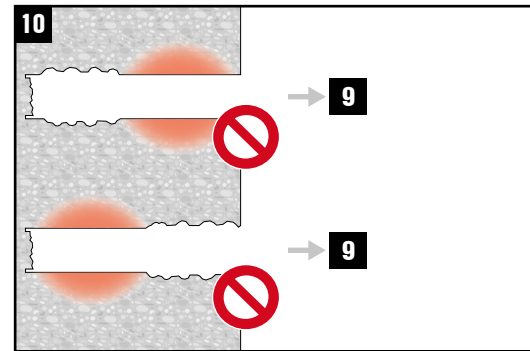
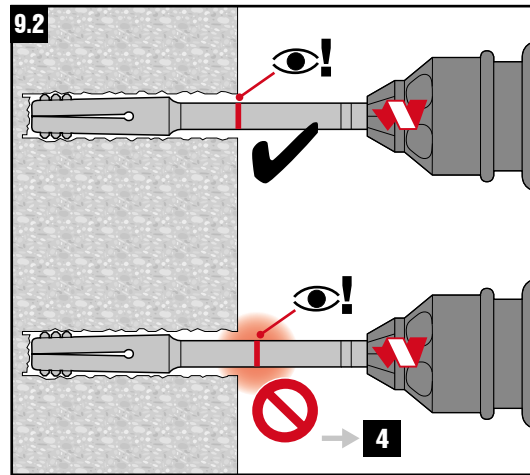
TE-YRT-L		RTG
3/4" / 25"	3/4" / 37 1/2"	3/4"
7/8" / 30"	7/8" / 45"	7/8"
1" / 35"	1" / 52 1/2"	1"
1 1/8" / 40"	1 1/8" / 60"	1 1/8"
1 3/8" / 47"	1 3/8" / 71"	1 3/8"





9.1

h_{ef} [mm]	$t_{roughen} (= h_{ef} / 10)$
301 ... 400	40 sec
401 ... 500	50 sec
501 ... 600	60 sec
...	...
1601 ... 1700	170 sec
1701 ... 1800	180 sec
h_{ef} [inch]	$t_{roughen} (= h_{ef} \cdot 2.5)$
12.01 ... 16	40 sec
16.01 ... 20	50 sec
20.01 ... 24	60 sec
...	...
63.01 ... 67	170 sec
67.01 ... 71	180 sec



12

$\emptyset d_0$ [mm]	TE-YRT-L	TE-YRT-L
17,9 ... 18,2	18 / 640	18 / 960
19,9 ... 20,2	20 / 640	20 / 960
21,9 ... 22,2	22 / 800	22 / 1200
29,9 ... 30,2	25 / 800	25 / 1200
31,9 ... 32,2	32 / 1000	32 / 1500
34,9 ... 35,2	35 / 1200	35 / 1800
$\emptyset d_0$ [inch]	TE-YRT-L	TE-YRT-L
0.764 ... 0.776	3/4" / 25"	3/4" / 37 1/2"
0.862 ... 0.874	7/8" / 30"	7/8" / 45"
1.008 ... 1.020	1" / 35"	1" / 52 1/2"
1.146 ... 1.157	1 1/8" / 40"	1 1/8" / 60"
1.374 ... 1.386	1 3/8" / 47"	1 3/8" / 71"