



**DX 5 GR**

English



# 1 Information about the documentation

## 1.1 About this documentation

- Read this documentation before initial operation or use. This is a prerequisite for safe, trouble-free handling and use of the product.
- Observe the safety instructions and warnings in this documentation and on the product.
- Always keep the operating instructions with the product and make sure that the operating instructions are with the product when it is given to other persons.

## 1.2 Explanation of symbols used

### 1.2.1 Warnings

Warnings alert persons to hazards that occur when handling or using the product. The following signal words are used:

#### **DANGER**

##### **DANGER !**

- ▶ Draws attention to imminent danger that will lead to serious personal injury or fatality.

#### **WARNING**

##### **WARNING !**

- ▶ Draws attention to a potential threat of danger that can lead to serious injury or fatality.





#### **CAUTION**

##### **CAUTION !**

- ▶ Draws attention to a potentially dangerous situation that could lead to slight personal injury or damage to the equipment or other property.






### 1.2.2 Symbols in the documentation

The following symbols are used in this document:

	Read the operating instructions before use.
	Instructions for use and other useful information
	Dealing with recyclable materials
	Do not dispose of electric equipment and batteries as household waste

### 1.2.3 Symbols in the illustrations

The following symbols are used in illustrations:

	These numbers refer to the corresponding illustrations found at the beginning of these operating instructions
	The numbering reflects the sequence of operations shown in the illustrations and may deviate from the steps described in the text
	Item reference numbers are used in the <b>overview illustrations</b> and refer to the numbers used in the <b>product overview section</b>
	This symbol is intended to draw special attention to certain points when handling the product.
	Wireless data transfer

### 1.3 Product-dependent symbols

#### 1.3.1 Symbols

The following symbols are also used:

	Warning! Observe the instructions.
	Wear a hard hat while working with the tool.
	Wear protective goggles while working with the tool.
	Wear ear protection while working with the tool.

#### 1.3.2 Symbols on the product

The following symbols are used on the product:

	Black lock on a red background on the tool casing: On the release button for removing the exhaust gas piston return unit.
	White lock on a black background on the fastener guide: On the fastener guide release button.

#### 1.3.3 Information shown on the display

The following information may be shown on the display:

	This symbol indicates the battery's state of charge. When the battery is empty, the maintenance symbol is shown.
	This symbol indicates when the tool requires cleaning. One segment stands for 500 fasteners driven. There are 5 segments in total, which means that 2,500 fasteners can be driven before cleaning is required.
	This symbol indicates when servicing is due. It appears after 5 years, when 30,000 fasteners have been driven, or when the battery is empty. Our recommendation: Please contact <b>Hilti Service</b> .

### 1.4 Product information

**HILTI** products are designed for professional users and only trained, authorized personnel are permitted to operate, service and maintain the products. This personnel must be specifically informed about the possible hazards. The product and its ancillary equipment can present hazards if used incorrectly by untrained personnel or if used not in accordance with the intended use.

The type designation and serial number are printed on the rating plate.

- ▶ Write down the serial number in the table below. You will be required to state the product details when contacting Hilti Service or your local Hilti organization to inquire about the product.

#### Product information

Fastening tool	DX 5 GR
Generation	01
Serial no.	

### 1.5 Declaration of conformity

We declare, on our sole responsibility, that the product described here complies with the applicable directives and standards. A copy of the declaration of conformity can be found at the end of this documentation.

The technical documentation is filed and stored here:

**Hilti** Entwicklungsgesellschaft mbH | Tool Certification | Hiltistraße 6 | 86916 Kaufering, DE

## 2 Safety

### 2.1 Safety instructions

#### Basic information concerning safety

**⚠ WARNING! Read all safety precautions and other instructions.** Failure to observe the safety precautions and other instructions may result in electric shock, fire and/or serious injury.

Keep all safety precautions and instructions for future reference.

#### Using cartridges

- ▶ Use only **Hilti** cartridges or cartridges of equivalent quality.
  - ◄ Use of cartridges of inferior quality in **Hilti** tools may lead to a build-up of unburned powder, which may suddenly explode and cause severe injuries to operators and bystanders. The cartridges must be either verifiably tested by the manufacturer in accordance with EU standard EN 16264 or they must bear the CE conformity marking.

#### Requirements to be met by users

- ▶ Only authorized, appropriately trained persons may operate or service this tool.

#### Personal protective equipment

- ▶ You and any other persons in the vicinity must wear suitable eye protection and a hard hat while the tool is in use.
- ▶ Wear ear protectors.
  - ◄ The fastener driving action is initiated by ignition of a propellant charge. Exposure to noise can cause hearing loss.

#### Personal safety

- ▶ Observe the information printed in the operating instructions concerning operation, care and maintenance.
- ▶ Stay alert, watch what you are doing and use common sense when operating a direct fastening tool. Don't use the tool when you are tired or under the influence of drugs, alcohol or medication. Take a break if you experience pain or feel unwell. A moment of inattention while operating tools may result in serious personal injury.
- ▶ Avoid working in awkward body positions. Make sure you work from a safe stance and stay in balance at all times.
- ▶ Wear non-skid shoes.
- ▶ Never pull the fastener guide or fastener back with your hand.
  - ◄ Under certain circumstances, the tool could be made ready to fire by pulling the fastener guide or the fastener back by hand. When the tool is ready to fire, fasteners or the piston could be driven inadvertently into parts of the body.
- ▶ Keep the arms slightly bent while operating the tool (do not straighten the arms).
- ▶ Keep other people away from the working area, especially children.

#### Use and care of direct fastening tools

**⚠ WARNING! Danger of fasteners penetrating right through!** Before driving fasteners, check to make sure that no one is present behind or below the object into which the fastener is to be driven.

- ▶ Before beginning the work, check the cartridge power level and the power regulator setting.
  - ◄ Carry out a test by driving 2 fasteners into the material you are working on.
- ▶ Use the right tool for the work you are carrying out. Do not use the tool for purposes for which it was not intended. Use it only as directed and when in faultless condition.
- ▶ Use a spill stop / protective cap when the application permits.
- ▶ Never leave a loaded tool unattended.
- ▶ Transport and store the tool in a secured toolbox.
- ▶ Always unload the tool (remove cartridges and fasteners) before cleaning, maintenance, changing the fastener guide, before work breaks and before storing the tool.
- ▶ When not in use, the tool should be unloaded and stored in a locked, dry place where it is inaccessible to children.
- ▶ Check the tool and the accessories for any damage. Check that moving parts function faultlessly, without sticking, and that no parts are damaged.
  - ◄ All parts must be fitted correctly and fulfill all conditions necessary for correct operation of the tool. Damaged parts must be properly repaired or replaced by **Hilti** Service unless otherwise stated in the operating instructions.
- ▶ Before driving fasteners, check that there is no electrical wiring behind the surface into which you want to drive them.

- ▶ Do not attempt to drive fasteners into unsuitable materials.
  - ◀ Unsuitable materials include welded steel and cast steel, cast iron, glass, marble, plastic, bronze, brass, copper, insulating material, hollow brick, ceramic brick, thin sheet metal (< 4 mm) and cellular concrete. Driving a fastener into these materials may cause the fastener to break, shatter or to be driven right through.
- ▶ Pull the trigger only when the tool is fully pressed against the working surface at right angles.
- ▶ When driving fasteners, always hold the fastening tool at right angles to the working surface in order to prevent the fastener being deflected by the surface.
- ▶ Keep the grips dry, clean and free from oil and grease.
- ▶ Do not use the tool in places where there is a risk of fire or explosion unless the tool is specially approved for this type of use.
- ▶ Never drive fasteners into existing holes unless this is recommended by **Hilti** (e.g. DX-Kwik).

**Workstation**

- ▶ Keep the workplace tidy. Objects which could cause injury should be removed from the working area.
  - ◀ Untidiness in the working area can lead to accidents.
- ▶ Make sure that the working area is well lit and well ventilated.

**Mechanical safety rules**

- ▶ Do not tamper with or modify the tool or parts of it, especially the piston.
- ▶ Use only fasteners of a type approved for use with the tool.

**Thermal safety rules**

- ▶ Do not exceed the recommended maximum fastener driving rate.
- ▶ If the tool has overheated, allow it to cool down.
- ▶ Do not dismantle the tool while it is hot. Allow the tool to cool down.
- ▶ Allow the tool to cool down if the plastic cartridge strip begins to melt.

**Risk of explosion with cartridges**

- ▶ Use only cartridges of a type approved for use with the tool.
- ▶ Remove the cartridge strip from the tool when you have completed the work or before transporting the tool.
- ▶ Never use force to remove cartridges from the fastener guide or from the tool.
- ▶ Store unused cartridges in a secure place where they are not exposed to dampness or excessively high temperatures.









- |   |                                 |
|---|---------------------------------|
| ① Exhaust gas piston return unit        | ⑫ Air vents                     |
| ② Guide sleeve                          | ⑬ Piston rings                  |
| ③ Casing                                | ⑭ Piston                        |
| ④ Cartridge guideway                    | ⑮ Fastener guide                |
| ⑤ Power regulation wheel release button | ⑯ Fastener guide release button |
| ⑥ Power regulation wheel                | ⑰ Buffer                        |
| ⑦ Display                               | ⑱ Centering sleeve              |
| ⑧ Pushbutton                            | ⑲ Flat brush                    |
| ⑨ Hand pad                              | ⑳ Large round brush             |
| ⑩ Trigger                               | ㉑ Small round brush             |
| ⑪ Operating button                      |                                 |

### 3.2 Intended use

The product described is a fastening tool for driving nails, studs and composite fasteners into steel. When using the tool, always ensure that the correct equipment is used. Fastener guide, piston and fasteners must be compatible with one another.

### 3.3 Minimum distances and spacing

#### 3.3.1 Fastening to steel

Always observe the following minimum distances and spacing when fastening to steel:

- The minimum distance from the edge of the working surface to the fastener must be at least 15 mm.
- The minimum center-to-center distance between two fasteners must be at least 20 mm.
- The base material must have a thickness of at least 6 mm.

### 3.4 Information about the app

To find out more about the app, to download it and start it, scan the QR code in the case.

### 3.5 Information about the field of applications

Please refer to the **Hilti** product page for more information about the field of applications.

## 4 Technical data

### 4.1 Direct fastening tool

<b>Weight</b>	<b>DX 5 GR</b>	3.43 kg
<b>Tool length</b>	<b>DX 5 GR</b>	495 mm
<b>Nail length</b>	<b>DX 5 GR</b>	≤ 22 mm
<b>Recommended maximum fastening rate</b>	<b>DX 5 GR</b>	700 rev/h
<b>Application temperature (ambient temperature)</b>	<b>DX 5 GR</b>	-20 °C ... 50 °C
<b>Compression stroke</b>	<b>DX 5 GR</b>	32 mm
<b>Pressure required</b>	<b>DX 5 GR</b>	≥ 50 N

### 4.2 Noise information determined in accordance with EN 15895

The sound pressure and vibration values given in these instructions have been measured in accordance with a standardized test and may be used to compare one fastening tool with another. They may be used for a preliminary assessment of exposure. The data given represents the main applications of the fastening tool. However, if the fastening tool is used for different applications, with different accessories or is poorly maintained, the data may vary. This may significantly increase exposure over the total working period. An estimation of the level of exposure should also take into account the periods of time when the tool is not actually in use. This may significantly reduce exposure over the total working period. Prescribe additional safety measures to protect the operator from the effects of noise and/or vibration, such as: Maintenance of the direct fastening tool and its additional equipment or accessories, keeping the operator's hands warm, organization of work procedures.

The noise values listed were determined under the following conditions:

### Noise information conditions

Cartridge	6.8/11 caliber, black
Power setting	2
Application	Fastening 24 mm wood to concrete (C40) with X-U47 P8

### Noise information in accordance with EN 15895

Sound (power) level ( $L_{WA}$ )	105 ±2 dB
Emission sound pressure level ( $L_{pA}$ )	101 ±2 dB
Peak sound pressure emission level ( $L_{pCpeak}$ )	133 ±2 dB

### 4.3 Vibration

The vibration value that must be specified in accordance with 2006/42/EC does not exceed 2,5 m/s<sup>2</sup>.

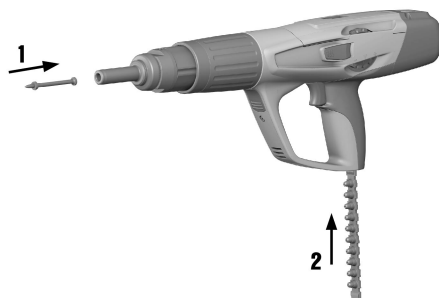
## 5 Operation

### 5.1 Safety devices



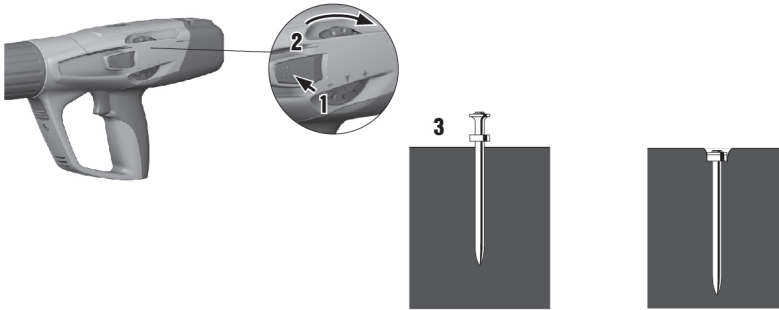
Before commencing work, check that all safety devices are fitted and that they are functioning correctly. All parts must be fitted correctly and fulfill all conditions necessary for the correct operation of the tool.

### 5.2 Loading the single-fastener tool



1. Push the fastener into the tool from the front until it is held in place in the tool by the fastener's washer.
2. Push the cartridge strip, narrow end first, into the grip of the tool from below until the full length of the cartridge strip is inside the tool. If you wish to use a cartridge strip in which some of the cartridges have already been used, start pulling the strip up and out the top of the tool by hand until the first unused cartridge is in place in the cartridge chamber.

### 5.3 Setting the power level



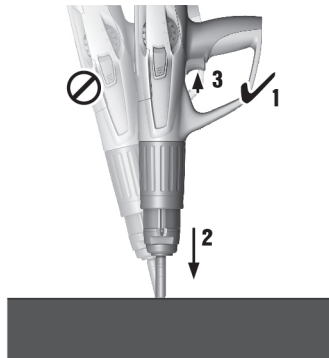
1. Press the power regulator release button.
2. Turn the power regulating wheel to set the power level you require.
3. Check the quality of the fastening in accordance with **Hilti** standards.



Select a cartridge power level and power setting to suit the application.

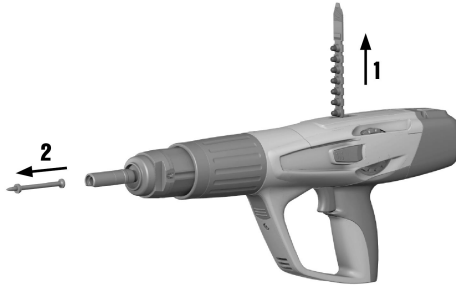
If you have no previous experience of using the tool, always begin with the lowest power.

### 5.4 Driving fasteners with the single-fastener tool



1. Position the tool.
2. Hold the tool perpendicular to the working surface and then press it against the surface.
3. Press the trigger to drive the fastener.

## 5.5 Unloading the single-fastener tool



1. Pull the cartridge out of the tool.
2. Pull the fastener out of the tool.

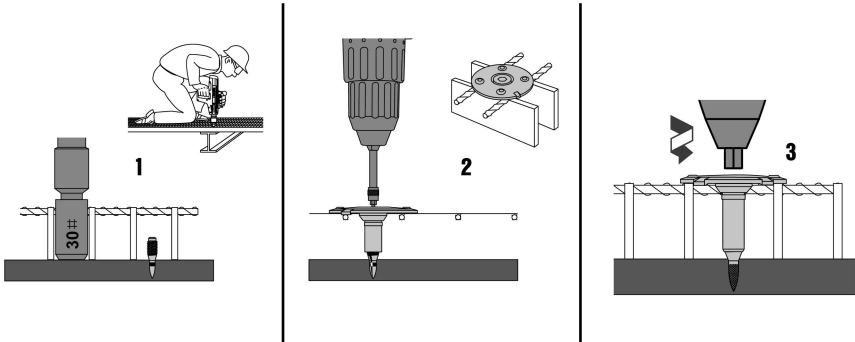
## 5.6 Resetting the cleaning indicator

- ▶ Press and hold the pushbutton for 10-12 seconds to reset the cleaning indicator.



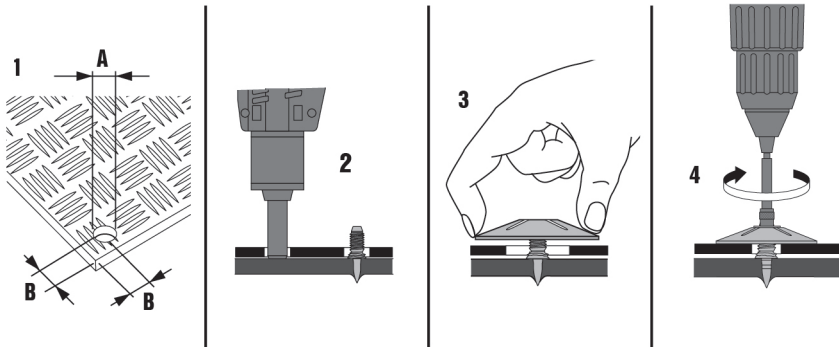
The cleaning indicator consists of 5 bars. Each bar stands for 500 fastenings.

## 5.7 X-FCM grating fastener



1. Drive the threaded stud into the steel beam. Use the centering sleeve to help ensure easy centering of the fastener. Measure the stud stand-off distance by checking the depth of penetration with the gauge.
2. Position the X-FCM retaining flange.
3. Screw on the retaining flange.
  - ◀ Torque: 5-8 Nm

## 5.8 X-FCP checker plate fastener



1. Drill or punch the holes in the checker plate.



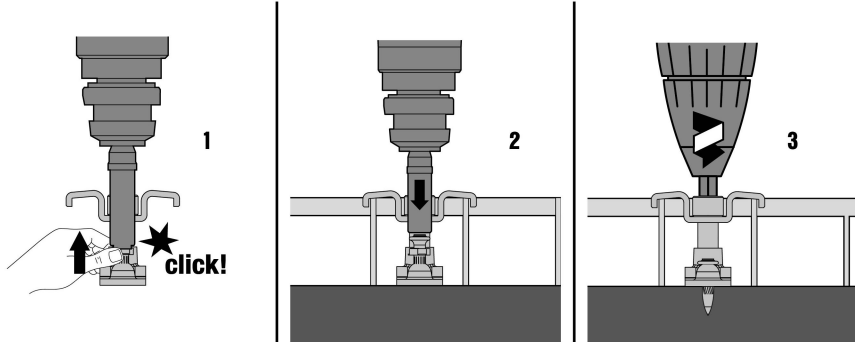
Observe the following minimum dimensions and distances:

A = 18-20 mm (0.70"-0.7")

B ≥ 25 mm (≥ 0.98")

2. Drive the threaded stud through the predrilled or punched hole. Measure the stud stand-off distance by checking the depth of penetration with the gauge.
3. Position the X-FCP retaining flange.
4. Screw on the retaining flange.
  - ◀ Torque: 5-8 Nm

## 5.9 Driving X-GR grating fasteners



1. Insert the fastener into the fastener guide.
2. Drive the fastener through the grating into the supporting steel.
3. Tighten the fastener securely.
  - ◀ Torque: 3-5 Nm

## 5.10 Procedure if a cartridge fails to fire

1. Keep the nose of the tool pressed at right angles against the working surface for 30 seconds.
2. If the cartridge still fails to fire, lift the tool away from the working surface. Take care to avoid pointing it at yourself or other persons.
3. Pull the cartridge strip by hand to advance it to the next cartridge and use up the remaining cartridges on the strip.

## 5.11 Tool misfires (cartridge doesn't fire)

### WARNING

**Heat** The tool can get hot through use.

- ▶ Wear protective gloves.
- ▶ Allow the tool to cool down.

1. Stop using the tool immediately.
2. Unload and dismantle the tool.
3. Check that you are using the correct combination of piston and fasteners.
4. Check the buffer and the piston for wear; replace the parts if necessary.
5. Clean the tool.
  - ◀ If the problem persists after taking the measures described above, further use of the tool is not permissible.
  - ◀ Have the tool checked and, if necessary, repaired by **Hilti Service**.



Dirt and residues build up in the tool under normal operating conditions and functional parts are also subject to wear.

Carry out regular inspections and servicing. Servicing must be carried out after 30,000 fasteners have been driven.

Clean the tool after every 2,500 - 3,000 fasteners. The fastener counter shows how many fasteners have been driven since the cleaning indicator was last reset. One bar stands for 500 fasteners.

Check the piston and the buffer daily when the tool is subjected to intensive use, or at the very least, before the end of the recommended regular cleaning interval of 2,500 - 3,000 fasteners.

The inspections, service intervals and cleaning intervals are based on typical tool use. If you find that the tool is not functioning correctly before a scheduled interval is reached, service the tool immediately.

## 6 Care and maintenance

### 6.1 Care of the tool

#### WARNING

**Cleaning** Pay attention to the following points when cleaning the tool:

- ▶ Do not clean with a spray system or pressure jet washer.
- ▶ Do not permit foreign objects to enter the interior of the tool.

#### WARNING

**Risk of injury due to deflagration** Powder residue in the tool may ignite and cause uncontrolled triggering or fragmentation.

- ▶ Clean the tool regularly. Comply with all maintenance and cleaning information and instructions in this documentation.
- ▶ If inferior-quality cartridges are used, cleaning the tool will not reduce the risk of powder residue inside the exhaust gas piston return unit igniting and causing uncontrolled triggering or fragmentation. This can only be reduced by having the tool taken to **Hilti Service** for maintenance.
- ▶ Clean the exterior of the tool with a slightly damp cloth at regular intervals.

### 6.2 Maintenance

#### WARNING

**Dangerous substances** The deposits inside DX tools contain substances that may present a health hazard.

- ▶ Do not inhale dust or dirt while cleaning.
- ▶ Keep dust and dirt away from foodstuffs.
- ▶ Wash your hands after cleaning the tool.
- ▶ Never use grease to clean or lubricate tool components. This may lead to malfunctions. To avoid malfunctions caused by the use of unsuitable cleaning agents, use **Hilti** spray.

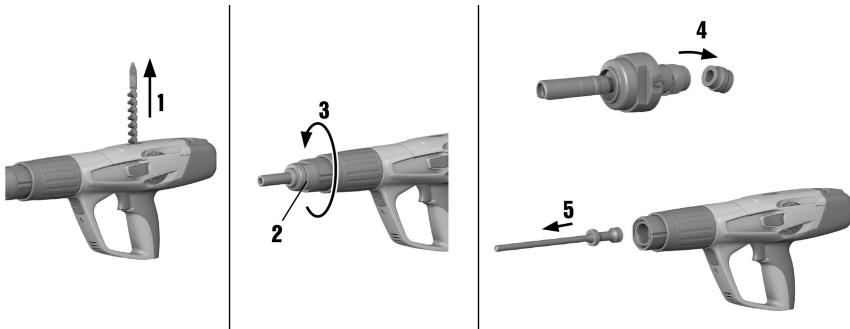
1. Regularly check all external parts of the tool for damage.

2. Regularly check all operating controls to ensure that they work properly.
3. Use the tool only with the recommended cartridges and at the recommended power settings.
  - ◁ Use of the wrong cartridges or excessively high power settings may lead to premature failure of the tool.

### 6.3 Servicing the tool

- ▶ Service the tool in the following situations:
  - ◁ If power fluctuations occur.
  - ◁ If cartridge misfires occur.
  - ◁ If the tool becomes noticeably less easy to operate.
  - ◁ If the required contact pressure increases noticeably.
  - ◁ If the trigger resistance increases.
  - ◁ If the power regulation wheel is stiff.
  - ◁ If the cartridge strip is difficult to remove.
  - ◁ If the maintenance indicator shows that a tool service is necessary.

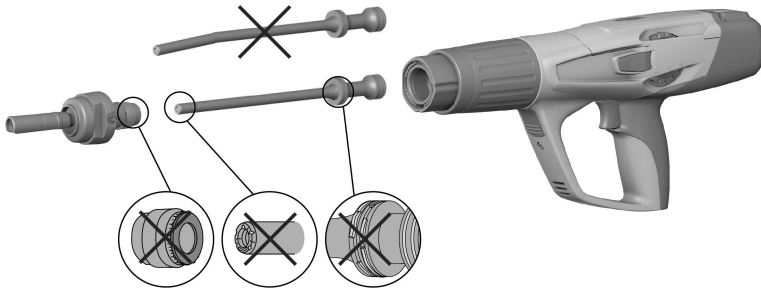
### 6.4 Dismantling the single-fastener tool



1. Check that there is no cartridge strip or fastener in the tool. If there is a cartridge strip or fastener in the tool, pull the cartridge strip up out of the tool by hand from above and remove the fastener from the fastener guide.
2. Press the release button on the side of the fastener guide to unscrew the fastener guide.
3. Unscrew and remove the fastener guide.
4. Remove the buffer by bending it sharply out of the fastener guide. Remove the buffer.
5. Remove the piston.



## 6.5 Check of buffer and piston



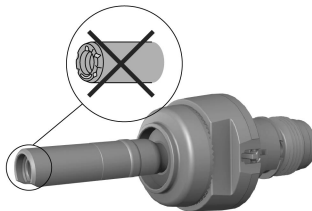
### WARNING

**Risk of injury caused by defective buffer or piston.** Check the piston and buffer for wear and replace them if damaged.

► Do not tamper with or modify the piston.

1. The piston must be replaced in the following cases:
  - ◄ The piston is broken.
  - ◄ The piston is badly worn or chipped (e.g. a 90° segment broken away)
  - ◄ The piston rings are cracked or missing.
  - ◄ The piston is bent (check by rolling the piston on a smooth, flat surface).
2. The buffer must be replaced in the following cases:
  - ◄ The metal ring of the buffer is loose or broken.
  - ◄ The buffer no longer holds on the fastener guide.
  - ◄ The rubber is badly worn at certain points under the metal ring.

## 6.6 Checking the fastener guide for wear



1. Check the fastener guide for wear and replace it if part of it is damaged (e.g. broken, bent, widened or cracked).
2. Contact **Hilti** Service if necessary.

## 6.7 Cleaning and lubricating the single-fastener tool



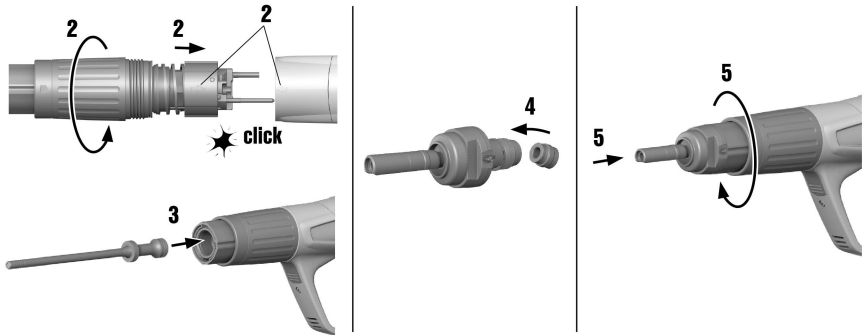
1. Spray the piston rings lightly with oil and then use the flat brush to clean them using the flat brush until the rings are free to move.
2. Use the flat brush to clean the thread on the fastener guide.
3. Use the large round brush to clean the inside of the housing.
4. Remove the exhaust gas piston return unit.
5. Clean the exhaust gas piston return unit.
6. Spray the cleaned parts with the supplied **Hilti** lubricant spray.



Use only **Hilti** lubricant spray or a product of comparable quality. Use of other lubricants may damage the tool.

7. Spray the power regulation wheel with the **Hilti** spray supplied with the tool.

## 6.8 Assembling the single-fastener tool




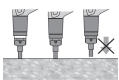
1. Check whether there is a cartridge in the tool, and remove it if there is.
2. Fit the exhaust gas piston return unit.
3. Fit the piston.
4. Fit the buffer onto the fastener guide.
5. Screw on the fastener guide.

## 6.9 Final check of the tool

1. After carrying out care and maintenance work, check that all safety devices are fitted and that they are functioning correctly.
2. After checking the tool, press and hold the pushbutton for 10 - 12 seconds to reset the maintenance counter.


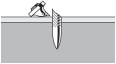
## 7 Troubleshooting

### 7.1 Problems with the tool



Trouble or fault	Possible cause	Action to be taken
Higher force required to press the tool against the surface.	Build-up of combustion residues.	► Service the tool.
Trigger resistance increases.	Build-up of combustion residues.	► Service the tool.
Stiff movement of power regulation wheel	Build-up of combustion residues.	► Service the tool.
 The piston jams in the exhaust gas piston return unit.	The piston is damaged.	► Change the piston.
	Rubber dust or debris in the piston return unit.	► Check the piston and buffer and replace if necessary. ► Contact <b>Hilti</b> Service if the problem persists.
	Build-up of combustion residues.	► Service the tool.
 The exhaust gas piston return unit jams.	Build-up of combustion residues.	► Service the tool.
The tool cannot be fired	The tool was not pressed fully against the working surface.	► Press the tool fully against the working surface.

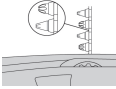
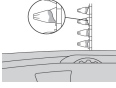
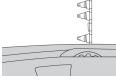

Trouble or fault	Possible cause	Action to be taken
The tool cannot be fired	The piston is incorrectly positioned.	<ul style="list-style-type: none"> <li>▶ Remove the cartridge strip and clean the tool.</li> <li>▶ Check the piston and buffer and replace if necessary.</li> </ul>

## 7.2 Problems with fasteners to be driven into steel

Malfunction	Possible cause	Action to be taken
The fastener doesn't penetrate deep enough	Driving power is too low.	<ul style="list-style-type: none"> <li>▶ Increase driving power (adjust power regulating wheel).</li> <li>▶ Use a more powerful cartridge.</li> </ul>
	The application limits have been exceeded (very hard material).	<ul style="list-style-type: none"> <li>▶ Use a more powerful system, e.g. DX 76 (PTR).</li> </ul>
 The fastener doesn't hold in the base material.	Thin supporting steel (4-5 mm)	<ul style="list-style-type: none"> <li>▶ Use a different power setting or different cartridge power level.</li> </ul>
	 Fastener breakage.	Driving power is too low.
The application limits have been exceeded (very hard material).		<ul style="list-style-type: none"> <li>▶ Use a more powerful system, e.g. DX 76 (PTR).</li> </ul>
Driving power is too high.		<ul style="list-style-type: none"> <li>▶ Reduce driving power (adjust the power regulating wheel).</li> <li>▶ Use a less powerful cartridge.</li> <li>▶ Use the nails with a "top hat".</li> <li>▶ Use the nails with a washer.</li> </ul>
The fastener is driven too deep.	Driving power is too high.	<ul style="list-style-type: none"> <li>▶ Reduce driving power (adjust the power regulation wheel).</li> <li>▶ Use a less powerful cartridge.</li> </ul>

## 7.3 Problems with the cartridges


Malfunction	Possible cause	Action to be taken
 The cartridge strip doesn't advance.	The cartridge strip is damaged.	<ul style="list-style-type: none"> <li>▶ Change the cartridge strip.</li> </ul>
	The tool has too much built-up dirt and residues.	<ul style="list-style-type: none"> <li>▶ Service the tool.</li> <li>▶ If necessary, have the tool checked by <b>Hilti</b> Service.</li> </ul>
	The tool is damaged.	<ul style="list-style-type: none"> <li>▶ If the problem persists, contact <b>Hilti</b> Service.</li> </ul>
 The cartridge strip cannot be removed.	The tool has overheated.	<ul style="list-style-type: none"> <li>▶ Allow the tool to cool down.</li> <li>▶ Then, carefully remove the cartridge strip from the tool.</li> <li>▶ If the problem persists, contact <b>Hilti</b> Service.</li> </ul>

Malfunction	Possible cause	Action to be taken
 The cartridge doesn't fire.	Bad cartridge.	► Pull the cartridge strip through to the next cartridge.
	The tool is fouled with combustion residues.	► Service the tool.
 The cartridge strip melts.	The tool is pressed against the working surface for too long before firing.	► Fire the tool sooner after pressing it against the working surface. ► Remove the cartridge strip.
	The fastener driving rate is too high.	► Stop using the tool immediately. ► Remove the cartridge strip and allow the tool to cool.
 A cartridge detaches itself from the cartridge strip.	The fastener driving rate is too high.	► Stop using the tool immediately. ► Remove the cartridge strip and allow the tool to cool.
 The cartridge strip cannot be removed.	Build-up of combustion residues.	► Service the tool.

#### 7.4 Other malfunctions

If the trouble you are experiencing is not listed in this table or you are unable to remedy the problem by yourself, please contact **Hilti** Service.

## 8 Disposal

 Most of the materials from which **Hilti** tools and appliances are manufactured can be recycled. The materials must be correctly separated before they can be recycled. In many countries, your old tools, machines or appliances can be returned to **Hilti** for recycling. Ask **Hilti** Service or your Hilti representative for further information.

## 9 Manufacturer's warranty

- Please contact your local **Hilti** representative if you have questions about the warranty conditions.

## 10 Confirmation of C.I.P. testing

The following applies to C.I.P. member states outside the EU and EFTA judicial area: The **Hilti** DX 5 has been system and type tested. As a result, the tool bears the rectangular PTB approval mark showing approval number S 995. **Hilti** thus guarantees compliance with the approved type. Unacceptable defects or deficiencies, etc. determined during use of the tool must be reported to the person responsible at the approval authority (PTB) and to the Office of the Permanent International Commission (C.I.P.).





**Hilti Aktiengesellschaft**  
Feldkircherstraße 100  
9494 Schaan | Liechtenstein

**DX 5 (01)**

[2016]

2006/42/EC

EN ISO 12100

2014/53/EU

EN 15895

2011/65/EU

EN 300 328 V2.1.1

EN 301 489-1 V2.2.0

EN 301 489-17 V3.1.1

Schaan, 05/2017

A handwritten signature in black ink, appearing to read "N. Wohlwend".

**Norbert Wohlwend**

Head of Quality Management  
Business Unit Direct Fastening

A handwritten signature in black ink, appearing to read "Lars Taenzer".

**Dr. Lars Taenzer**

Head of BU Direct Fastening  
Business Unit Direct Fastening



Hilti Corporation  
LI-9494 Schaan  
Tel.: +423 234 21 11  
Fax: +423 234 29 65  
[www.hilti.group](http://www.hilti.group)



2164701



Hilti Connect