
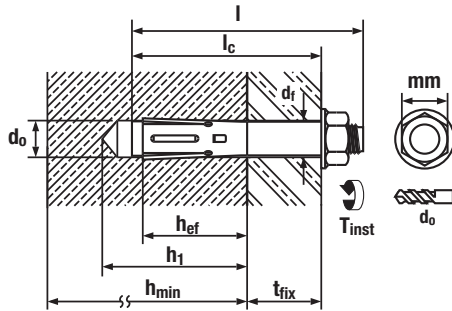
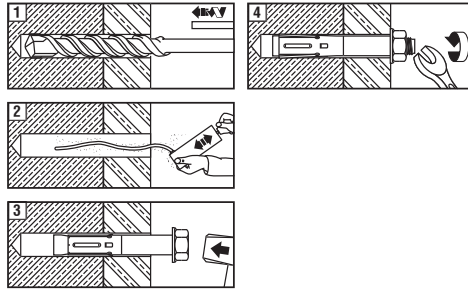


386347

01.08.2007

Anchor Size		16x60/10	16x100/50	16x140/90	
		Setting details			
d	Thread diameter	M12			
d <sub>o</sub>	Drill bit diameter	mm	16		
h <sub>1</sub>	min. Borehole depth	mm	75		
h <sub>ef</sub>	Min. Effective Anchorage depth	mm	41		
l	Total Anchor length	mm	72	112	152
l <sub>c</sub>	Anchor length under washer	mm	60	100	140
t <sub>fix</sub>	Max Fixing length	mm	10	50	90
T <sub>inst</sub>	Tightening torque concrete	Nm	50		
T <sub>inst</sub>	Tightening torque masonry	Nm	25		
	Width across nut flats	mm	19		
d <sub>f</sub>	Clearance hole	mm	18		
h <sub>min</sub>	Minimum base material thickness	mm	100		



386347