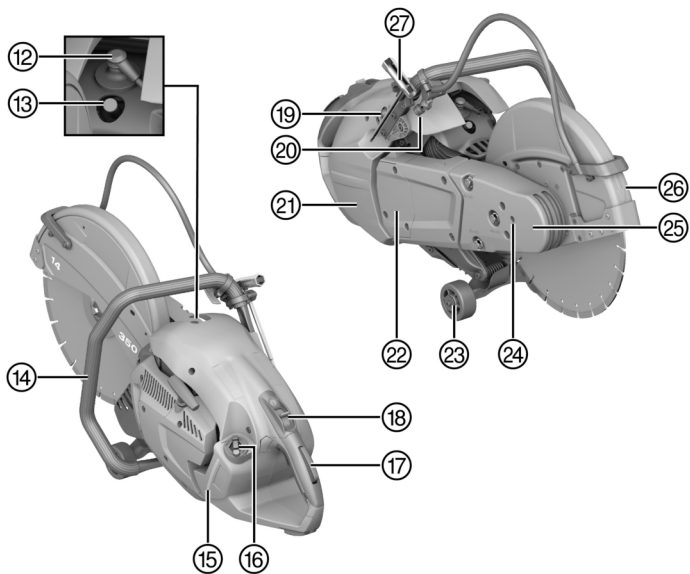
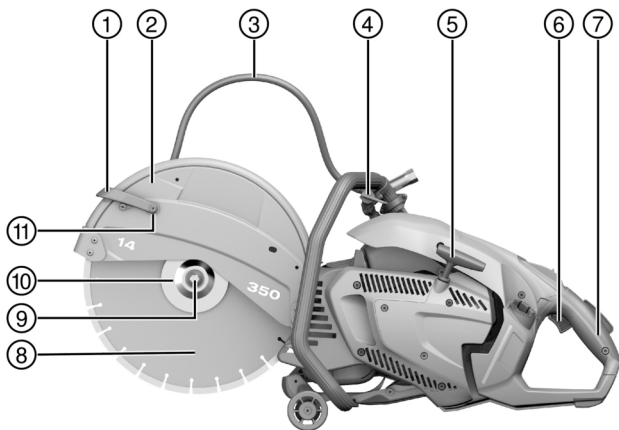
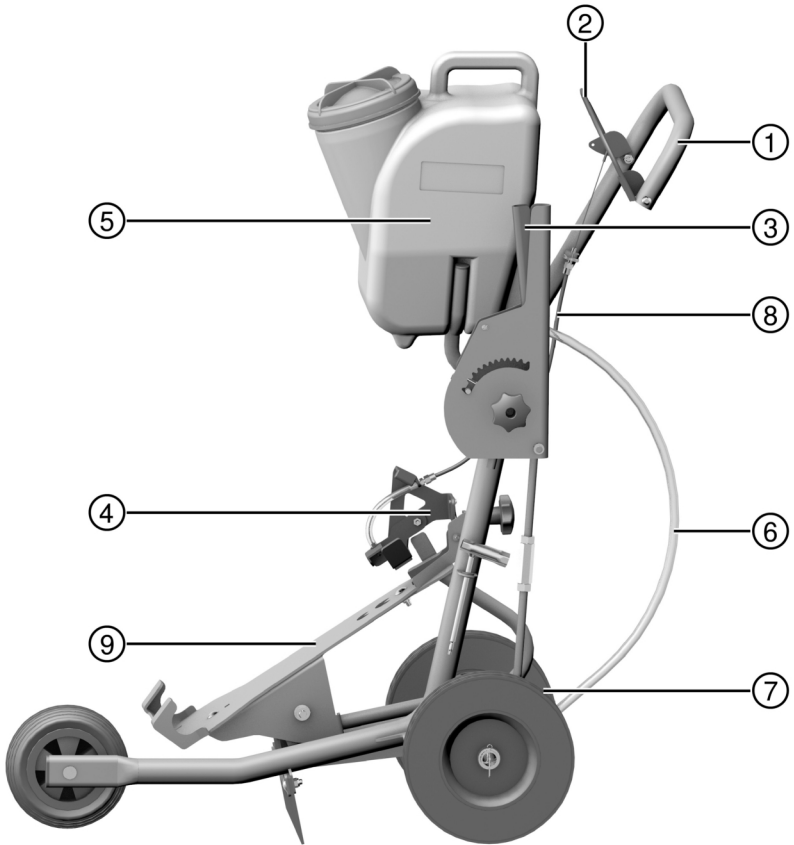




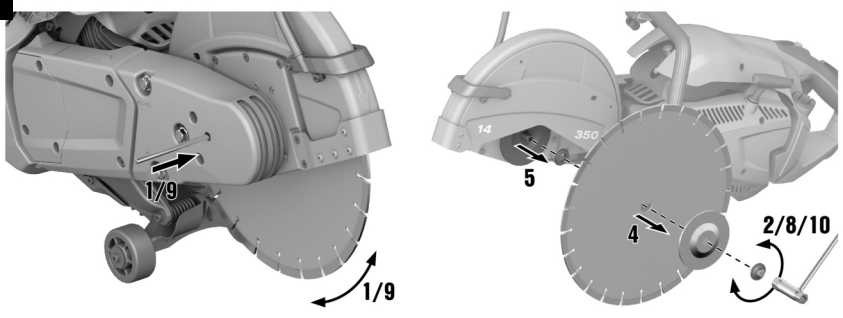
DSH 700-X (04)
DSH 900-X (04)

English	1
Français	24
Español	49
Português	74

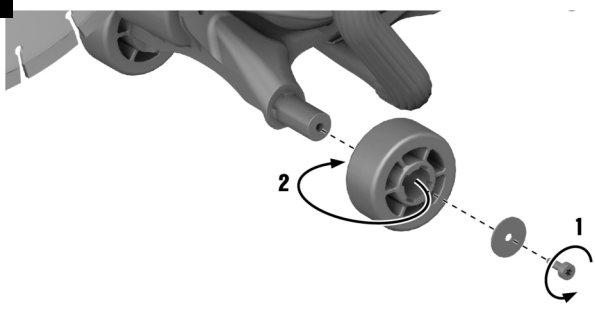




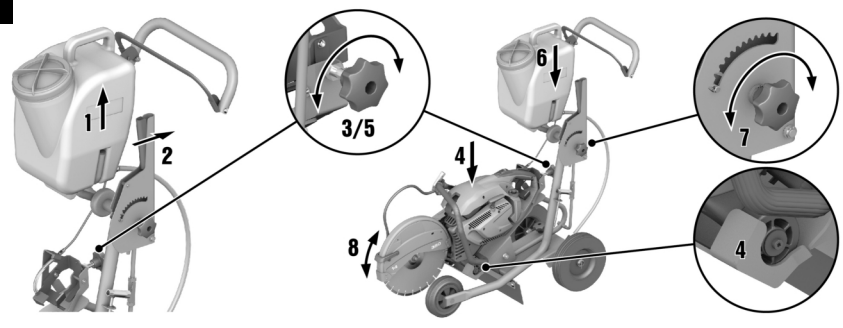
3



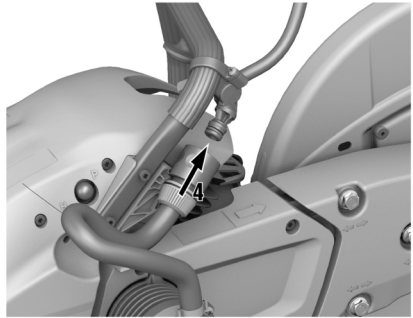
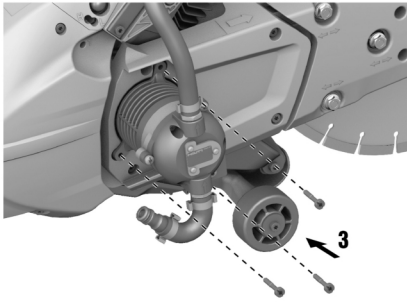
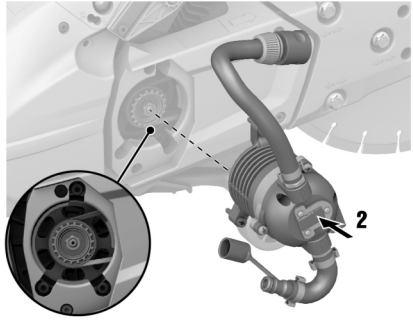
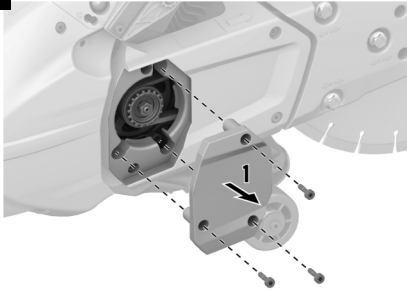
4



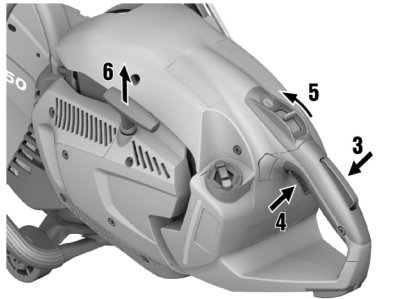
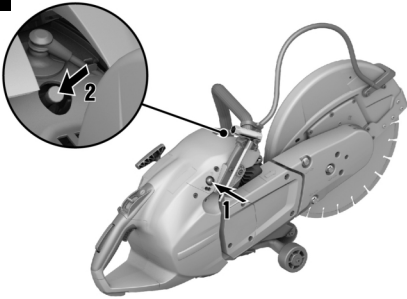
5



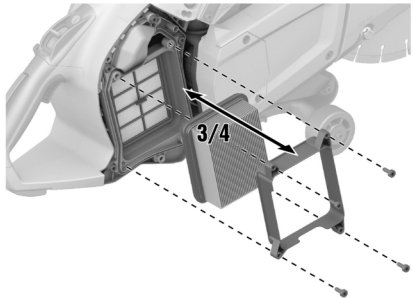
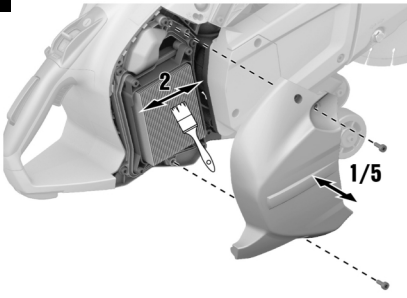
6



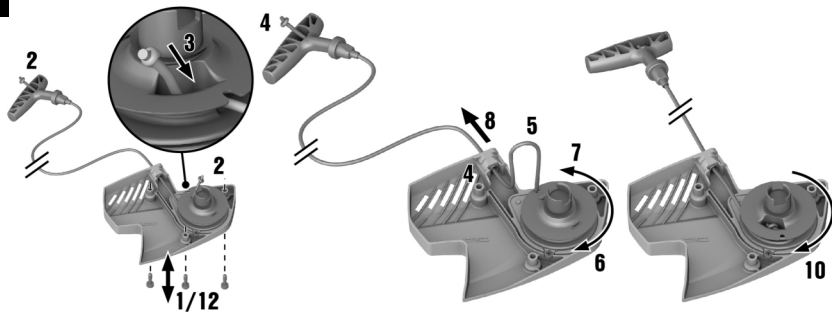
7



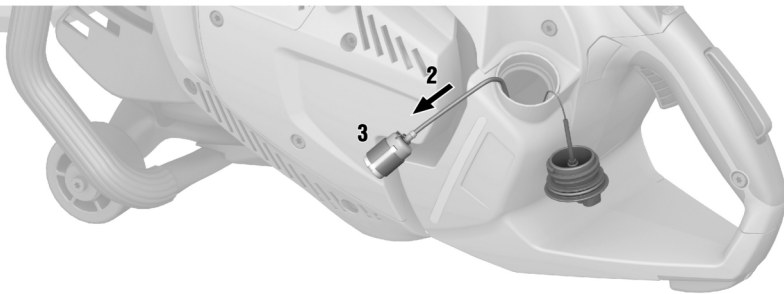
8



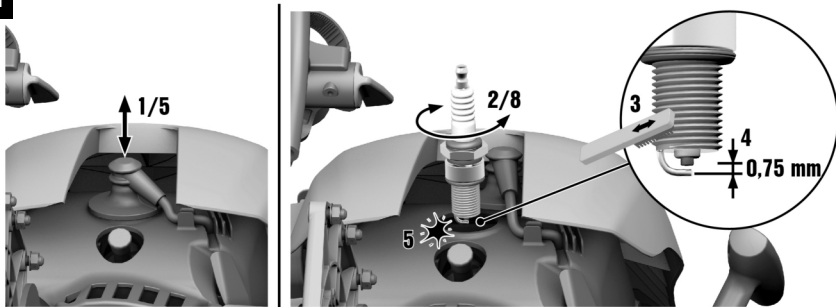
9



10

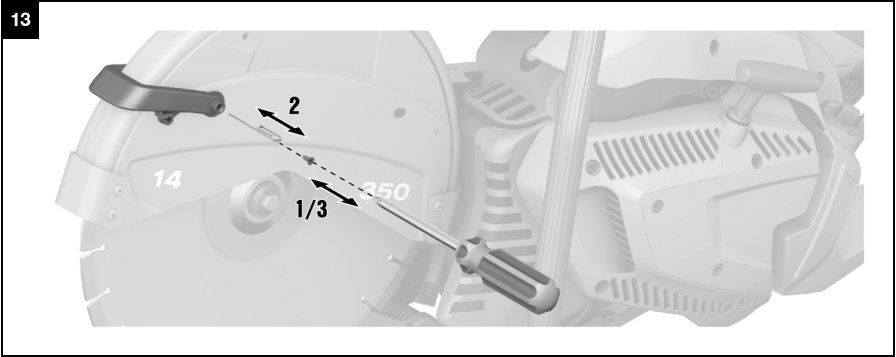


11



12





DSH 700-X

DSH 900-X

en	Original operating instructions	1
fr	Mode d'emploi original	24
es	Manual de instrucciones original	49
pt	Manual de instruções original	74

Original operating instructions

1 Information about the operating instructions

1.1 About these operating instructions

- **Warning!** Read and understand all accompanying documentation, including but not limited to instructions, safety warnings, illustrations, and specifications provided with this product. Familiarize yourself with all the instructions, safety warnings, illustrations, specifications, components, and functions of the product before use. Failure to do so may result in electric shock, fire, and/or serious injury. Save all warnings and instructions for future reference.
- products are designed for professional users and only trained, authorized personnel are permitted to operate, service and maintain the products. This personnel must be specifically informed about the possible hazards. The product and its ancillary equipment can present hazards if used incorrectly by untrained personnel or if used not in accordance with the intended use.
- The accompanying documentation corresponds to the current state of the art at the time of printing. Please always check for the latest version on the product's page on Hilti's website. To do this, follow the link or scan the QR code in this documentation, marked with the symbol
- Ensure that these operating instructions are with the product when it is given to other persons.

1.2 Explanation of symbols

1.2.1 Warnings

Warnings alert persons to hazards that occur when handling or using the product. The following signal words are used:

DANGER

DANGER !

- ▶ Draws attention to imminent danger that will lead to serious personal injury or fatality.

WARNING

WARNING !

- ▶ Draws attention to a potential threat of danger that can lead to serious injury or fatality.

CAUTION

CAUTION !

- ▶ Draws attention to a potentially dangerous situation that could lead to personal injury or damage to the equipment or other property.

1.2.2 Symbols in the operating instructions

The following symbols are used in these operating instructions:

	Comply with the operating instructions
	Instructions for use and other useful information
	Dealing with recyclable materials
	Do not dispose of electric equipment and batteries as household waste

1.2.3 Symbols in illustrations

The following symbols are used in illustrations:

2	These numbers refer to the illustrations at the beginning of these operating instructions.
3	The numbers in illustrations refer to important work steps or to components important for the work steps. In the text, the corresponding numbers draw attention to these work steps or components, e.g. (3).



	Item reference numbers are used in the overview illustration and refer to the numbers used in the key in the product overview section.
	This symbol is intended to draw your special attention to certain points for handling the product.

1.3 Product-dependent symbols

1.3.1 Symbols on the product

The following symbols are used on the product:

	WARNING! Read and follow all safety precautions in the operator's manual. Failure to follow these instructions could result in serious or fatal injury.
	Direction-of-rotation arrow on the guard
	Engine stop position
	Engine run position
	Primer bulb
	Full-throttle jet adjusting screw
	Idling jet adjusting screw
	Idling adjusting screw
	Fuel-tank cap opening direction
	Wireless data transfer
	Fuel mixture
/min	Speed
RPM	Revolutions per minute
	Diameter

1.3.2 Hazard symbols

The following hazard symbols are used on the product:

	General hazard
	Hazard due to flying sparks
	Warning: Do not inhale toxic vapors or exhaust fumes
	Hazard due to kickback
	Hazard due to hot surface
	Maximum spindle speed

1.3.3 Obligation symbols

The following obligation symbols are used on the product:



	Wear ear protection, eye protection, respiratory protection and a hard hat
	Wear protective gloves
	Wear safety shoes

1.3.4 Prohibition symbols

The following prohibition symbols are used on the product:

	Do not use toothed cut-off wheels
	Do not use damaged cut-off wheels
	No smoking, no naked flame

2 Safety

2.1 General safety instructions

⚠ WARNING Study all safety instructions and other instructions, images and technical data with which this product is provided. Failure to comply with the instructions below can result in serious injuries or death. **Keep all safety precautions and instructions for future reference.**

2.2 Personal safety

- ▶ Use the right product for the job. Do not use the product for purposes for which it was not intended. Use it only as directed and when in technically faultless condition.
- ▶ Never tamper with or modify the product in any way.
- ▶ Only persons who are familiar with it, who have been trained on how to use it safely and who understand the resulting hazards are permitted to use the product. The product is not intended for use by children.
- ▶ Stay alert, watch what you are doing and use common sense when operating the product. Do not use the product while you are tired or under the influence of drugs, alcohol or medication. A moment of inattention while operating the product can result in serious personal injury.
- ▶ Do not apply excessive force to the cut-off saw. Use the correct cut-off saw for the job. With the correct cut-off saw work can be performed more efficiently and more safely at a working speed for which the cut-off saw was designed.
- ▶ The use of cutting tools other than those described in this documentation is not permitted.
- ▶ For wet cutting, do not use synthetically bonded abrasive wheels unless the wheels have been specified for such use by the wheel manufacturer.
- ▶ The use of reducing sleeves and/or knot wheel brushes is not permitted.
- ▶ The user and persons in the vicinity must wear ANSI Z87.1-approved eye protection, a hard hat, hearing protection, protective gloves, protective footwear and suitable respiratory protection while the product is in use.
- ▶ Before using the product, or if an obstacle is contacted while the product is in use, check the guard immediately for possible damage. Replace the guard immediately if it is damaged or broken.
- ▶ Make sure fire extinguishers are available for use as there is a risk of fire due to flying sparks and the use of flammable fuel.
- ▶ Dust produced by grinding, sanding, cutting and drilling can contain dangerous chemicals. Some examples are: lead or lead-based paints; brick, concrete and other masonry products, natural stone and other products containing silicates; certain types of wood, such as oak, beech and chemically treated wood; asbestos or materials that contain asbestos. Determine the exposure of the operator and bystanders by means of the hazard classification of the materials to be worked. Implement the necessary measures to restrict exposure to a safe level, for example by the use of a dust collection system or by the wearing of suitable respiratory protection. The general measures for reducing exposure include:
 - ▶ working in an area that is well ventilated,
 - ▶ avoidance of prolonged contact with dust,
 - ▶ directing dust away from the face and body,
 - ▶ wearing protective clothing and washing exposed areas of the skin with water and soap.



- ▶ Always hold the tool with both hands on the grips provided. Keep the grips clean, dry and free from oil and grease.
- ▶ If there is an unwanted increase in speed, set the run/stop switch to the "stop" position. Contact **Hilti** Service.
- ▶ Switch the gasoline-powered saw off immediately at the run/stop switch if the saw trolley throttle cable sticks or if the throttle trigger sticks.
- ▶ Never use the product without the guard. Adjust the guard to the correct position. The guard must be securely attached and positioned for maximum safety, so that the smallest possible part of the cut-off wheel is exposed to the operator. Make sure that sparks created during use do not present a hazard. The guard helps to protect the operator from broken wheel fragments, inadvertent contact with the cut-off wheel and uncontrolled flying sparks.
- ▶ Do not touch rotating parts – risk of injury!
- ▶ Maintain a firm footing and balance at all times. This will allow you to control the product better, even in unexpected situations. Avoid unusual postures. When using the product, hold it in such a way that dust, flying sparks and possible flying fragments of the accessory tool or workpiece cannot hit you. Do not lean over the cut-off wheel.
- ▶ Wear suitable work clothes. Do not wear jewelry or loose clothing. Keep your hair, clothing and gloves away from moving parts. Loose clothes, jewelry or long hair can be snagged by moving parts.
- ▶ If the product or the cut-off wheel has been dropped or has fallen, check the product and the cut-off wheel for damage. Change the cut-off wheel if necessary.
- ▶ Switch the product off before adjusting the guard or changing the cut-off wheel.
- ▶ Wear protective gloves also when changing the accessory tool. Touching the cut-off wheel presents a risk of injury (cuts or burns).
- ▶ Avoid skin contact with the slurry created when using the wet cutting method.
- ▶ Cutting material containing asbestos is not permissible.
- ▶ Cutting or working on flammable materials such as magnesium or wood is not permissible.
- ▶ Take breaks between working and do relaxation and finger exercises to improve the blood circulation in your fingers. Exposure to vibration during long periods of work can lead to disorders of the blood vessels and nervous system in the fingers, hands and wrists.
- ▶ Consult the responsible structural engineer, architect or person in charge of the building project before starting work. Slits cut into load-bearing walls or other structures can influence the statics of the structure, especially when reinforcing bars or load-bearing components are cut.
- ▶ If work involves break-through, always secure the area on the side opposite where the work is carried out. Pieces of debris could drop out and/or fall down and injure other persons.
- ▶ Never leave the product running while unattended.
- ▶ Switch the engine off and wait until the cut-off wheel has come to a complete standstill before placing the product on the ground, moving it to the next working position, or transporting it.
- ▶ Make sure that the pump cover is installed if you operate the product without an external water pump.
- ▶ Switch the product off after use.
- ▶ Maintain the product carefully. Check whether parts are broken or damaged to the extent that the product is not in full working order. Have damaged parts repaired before using the product.
- ▶ To reduce the risk of injury, use only genuine **Hilti** tools and accessories.
- ▶ Have the product repaired only by qualified specialists using only genuine Hilti spare parts. The safety of the product can thus be maintained.
- ▶ Comply with national health and safety requirements.
- ▶ When the engine is running, avoid contact with ignition leads and the spark plug cap. Always switch the engine off when you are going to replace spark plugs or carry out inspections of the ignition system or components of the ignition system.

2.3 Electrical safety

- ▶ Before beginning work, check the working area for concealed electric cables or gas and water pipes. External metal parts of the product could give you an electric shock if you accidentally damage an electric cable.
- ▶ Organize in advance the work to be performed, after examining the location. Check whether warning signs have to be set up and a safe working distance from other persons defined.

2.4 Safety at the workplace

- ▶ Ensure that the workplace is well lit.



- ▶ Don't work in closed rooms. Carbon monoxide, unburned hydrocarbons and benzene in the exhaust gas may cause asphyxiation.
- ▶ Keep the workplace tidy. Objects which could cause injury should be removed from the working area. Untidiness at the workplace can lead to accidents.
- ▶ Hot exhaust gases containing sparks or sparks generated by the cutting operation may cause fire or explosion. Make sure that the sparks generated do not ignite flammable (gasoline, dry grass, etc.) or explosive (gas, etc.) substances.
- ▶ Fit the filled water tank only after the saw has been mounted on the saw trolley. This will help to prevent the trolley falling over.
- ▶ Do not stand the product and the saw trolley on an inclined surface. Always check to ensure that the product and the saw trolley are standing securely.
- ▶ After installing the water pump, make sure that the screws are tightened to the recommended tightening torque.
- ▶ Before installing the water pump, make sure that the maximum permitted water supply pressure of 87 psi is not exceeded.

2.5 Liquids (gasoline and oil) and vapors

- ▶ The inhalation of gasoline vapors and skin contact with gasoline may be hazardous to the health.
 - ▶ Avoid direct skin contact with gasoline. Wear protective gloves.
 - ▶ If your clothing becomes soiled with gasoline, it is essential to change your clothing.
 - ▶ Ensure that the workplace is well ventilated in order to avoid breathing in gasoline fumes.
 - ▶ Use a fuel canister that complies with the applicable regulations.
- ▶ Don't refuel the product while the engine is running. Wait until the engine has cooled down.
- ▶ Never smoke while refueling; there is a risk of fire and explosion.
- ▶ Do not refuel the product in the area where you are working (move at least 3 meters/10 feet clear of the workplace). When refueling, take care to avoid fuel spillage. Use a suitable funnel.
- ▶ Avoid inhaling gasoline vapors and exhaust fumes. Take care to ensure adequate ventilation.
- ▶ Don't use the gasoline or other flammable liquids for cleaning.

2.6 Cut-off machine safety warnings

- ▶ **The guard provided with the tool must be securely attached to the power tool and positioned for maximum safety, so the least amount of wheel is exposed towards the operator. Position yourself and bystanders away from the plane of the rotating wheel.** The guard helps to protect operator from broken wheel fragments and accidental contact with wheel.
- ▶ **Use only bonded reinforced or diamond cut-off wheels for your power tool.** Just because an accessory can be attached to your power tool, it does not assure safe operation.
- ▶ **The rated speed of the accessory must be at least equal to the maximum speed marked on the power tool.** Accessories running faster than their rated speed can break and fly apart.
- ▶ **Wheels must be used only for recommended applications. For example: do not grind with the side of cut-off wheel.** Abrasive cut-off wheels are intended for peripheral grinding, side forces applied to these wheels may cause them to shatter.
- ▶ **Always use undamaged wheel flanges that are of correct diameter for your selected wheel.** Proper wheel flanges support the wheel thus reducing the possibility of wheel breakage.
- ▶ **Do not use worn down reinforced wheels from larger power tools.** Wheels intended for a larger power tool are not suitable for the higher speed of a smaller tool and may burst.
- ▶ **The outside diameter and the thickness of your accessory must be within the capacity rating of your power tool.** Incorrectly sized accessories cannot be adequately guarded or controlled.
- ▶ **The arbour size of wheels and flanges must properly fit the spindle of the power tool.** Wheels and flanges with arbour holes that do not match the mounting hardware of the power tool will run out of balance, vibrate excessively and may cause loss of control.
- ▶ **Do not use damaged wheels. Before each use, inspect the wheels for chips and cracks. If power tool or wheel is dropped, inspect for damage or install an undamaged wheel. After inspecting and installing the wheel, position yourself and bystanders away from the plane of the rotating wheel and run the power tool at maximum no load speed for one minute.** Damaged wheels will normally break apart during this test time.
- ▶ **Wear personal protective equipment. Depending on application, use face shield, safety goggles or safety glasses. As appropriate, wear dust mask, hearing protectors, gloves and shop apron capable of stopping small abrasive or workpiece fragments.** The eye protection must be capable of stopping flying debris generated by various operations. The dust mask or respirator must be capable of



filtrating particles generated by your operation. Prolonged exposure to high intensity noise may cause hearing loss.

- ▶ **Keep bystanders a safe distance away from work area. Anyone entering the work area must wear personal protective equipment.** Fragments of workpiece or of a broken wheel may fly away and cause injury beyond immediate area of operation.
- ▶ **Position the cord clear of the spinning accessory.** If you lose control, the cord may be cut or snagged and your hand or arm may be pulled into the spinning wheel.
- ▶ **Never lay the power tool down until the accessory has come to a complete stop.** The spinning wheel may grab the surface and pull the power tool out of your control.
- ▶ **Do not run the power tool while carrying it at your side.** Accidental contact with the spinning accessory could snag your clothing, pulling the accessory into your body.
- ▶ **Regularly clean the power tool's air vents.** The motor's fan will draw the dust inside the housing and excessive accumulation of powdered metal may cause electrical hazards.
- ▶ **Do not operate the power tool near flammable materials.** Sparks could ignite these materials.
- ▶ **Do not use accessories that require liquid coolants.** Using water or other liquid coolants may result in electrocution or shock.

Kickback and related warnings

Kickback is a sudden reaction to a pinched or snagged rotating wheel. Pinching or snagging causes rapid stalling of the rotating wheel which in turn causes the uncontrolled power tool to be forced in the direction opposite of the wheel's rotation at the point of the binding.

For example, if an abrasive wheel is snagged or pinched by the workpiece, the edge of the wheel that is entering into the pinch point can dig into the surface of the material causing the wheel to climb out or kick out. The wheel may either jump toward or away from the operator, depending on direction of the wheel's movement at the point of pinching. Abrasive wheels may also break under these conditions.

Kickback is the result of power tool misuse and/or incorrect operating procedures or conditions and can be avoided by taking proper precautions as given below.

- ▶ **Maintain a firm grip on the power tool and position your body and arm to allow you to resist kickback forces. Always use auxiliary handle, if provided, for maximum control over kickback or torque reaction during start-up.** The operator can control torque reactions or kickback forces, if proper precautions are taken.
- ▶ **Never place your hand near the rotating accessory.** Accessory may kickback over your hand.
- ▶ **Do not position your body in line with the rotating wheel.** Kickback will propel the tool in direction opposite to the wheel's movement at the point of snagging.
- ▶ **Use special care when working corners, sharp edges etc. Avoid bouncing and snagging the accessory.** Corners, sharp edges or bouncing have a tendency to snag the rotating accessory and cause loss of control or kickback.
- ▶ **Do not attach a saw chain, woodcarving blade, segmented diamond wheel with a peripheral gap greater than 10 mm or toothed saw blade.** Such blades create frequent kickback and loss of control.
- ▶ **Do not "jam" the wheel or apply excessive pressure. Do not attempt to make an excessive depth of cut.** Overstressing the wheel increases the loading and susceptibility to twisting or binding of the wheel in the cut and the possibility of kickback or wheel breakage.
- ▶ **When wheel is binding or when interrupting a cut for any reason, switch off the power tool and hold the power tool motionless until the wheel comes to a complete stop. Never attempt to remove the wheel from the cut while the wheel is in motion otherwise kickback may occur.** Investigate and take corrective action to eliminate the cause of wheel binding.
- ▶ **Do not restart the cutting operation in the workpiece. Let the wheel reach full speed and carefully re-enter the cut.** The wheel may bind, walk up or kickback if the power tool is restarted in the workpiece.
- ▶ **Support panels or any oversized workpiece to minimize the risk of wheel pinching and kickback.** Large workpieces tend to sag under their own weight. Supports must be placed under the workpiece near the line of cut and near the edge of the workpiece on both sides of the wheel.
- ▶ **Use extra caution when making a "pocket cut" into existing walls or other blind areas.** The protruding wheel may cut gas or water pipes, electrical wiring or objects that can cause kickback.

2.7 Transport and storage

- ▶ Switch the product off before transporting it.
- ▶ Remove the cut-off wheel from the product after use. The cut-off wheel may suffer damage during transport with the disc fitted.
- ▶ Handle the cut-off wheel carefully and store it in accordance with the manufacturer's instructions.
- ▶ Always store and transport the product in an upright position, not lying on its side.



- ▶ Do not carry the saw trolley and the product together. Remove the water tank before transporting the saw trolley.
- ▶ Do not lift the product and the saw trolley by crane. This is not permissible.
- ▶ Store the product in a secure place when not in use. Products which are not in use must be stored in a dry, high place or locked away out of reach of children.
- ▶ When laying the product down, make sure that it stands securely.
- ▶ After use, allow the product to cool down before packing it away or placing a cover over it.
- ▶ Store gasoline and oil in a well-ventilated room in fuel containers that comply with regulations.

2.8 CALIFORNIA PROPOSITION 65

DANGER

Fuels used in gas or oil filled appliances and the product of combustion of such fuels contain chemicals (including Benzene, toluene, xylenes, 1,3 butadiene and formaldehyde) known to the State of California to cause cancer, birth defects or other reproductive harm. **Wash hands after handling!**

2.9 Information about the measured CO₂ limit values


Always maintain and operate the engine of the cut-off saw in accordance with the instructions for operation and use in these operating instructions. In this way you ensure exhaust emissions that remain within the limits stipulated by law.

Non-compliance with the operating and maintenance instructions described in these operating instructions can impair the conformity of the product with the applicable emissions control regulations. The same applies to tampering with or damage to the fuel system (e.g. supply, regulation, mixture preparation).

ATTENTION

Variant exhaust emission values Tampering with the engine and/or the fuel system voids EU emissions certification.

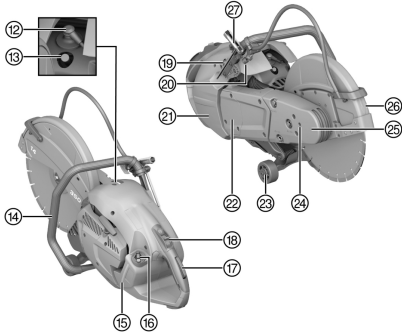
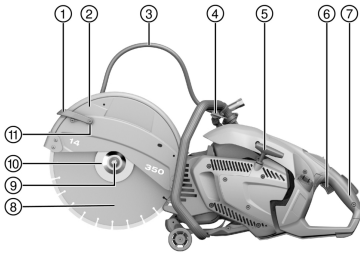
- ▶ Tampering with the engine and/or the fuel system is not permissible.

The values for CO₂ emissions ascertained for EU type approval are to be found in the section headed "Technical data  10".



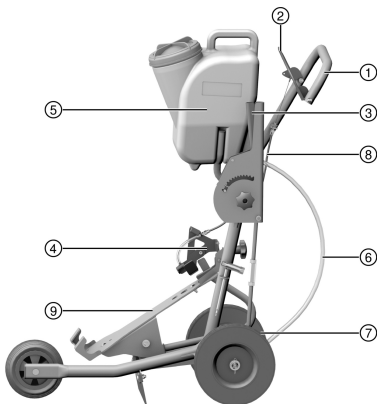
3 Description

3.1 Gasoline-powered cut-off saw 1



- ① Curved water distributor with integrated water nozzles
- ② Guard
- ③ Water supply
- ④ Water valve
- ⑤ Pull start
- ⑥ Throttle trigger
- ⑦ Rear grip
- ⑧ Cut-off wheel
- ⑨ Clamping screw
- ⑩ Clamping flange
- ⑪ Cleaning screw for water nozzle
- ⑫ Spark plug connector
- ⑬ Decompression valve
- ⑭ Front grip
- ⑮ Fuel-level sight glass
- ⑯ Fuel tank cap
- ⑰ Throttle safety grip
- ⑱ Engine start / stop switch with half-throttle lock
- ⑲ Primer bulb
- ⑳ Water connection
- ㉑ Cover for air filter
- ㉒ Pump cover
- ㉓ Guide rollers
- ㉔ Hole for locking pin for changing cut-off wheels
- ㉕ Saw arm
- ㉖ Direction-of-rotation arrow
- ㉗ Assembly tool

3.2 Saw trolley (accessory) 2



- ① Grip
- ② Throttle trigger
- ③ Cutting depth adjustment
- ④ Hold-down device
- ⑤ Water tank
- ⑥ Water connection
- ⑦ Axial adjustment
- ⑧ Throttle cable
- ⑨ Machine cradle



3.3 Intended use

The product described is a gasoline-powered cut-off saw for the wet or dry cutting of asphalt, mineral construction materials or metals using diamond cut-off wheels or abrasive cut-off wheels. It can be held and guided by hand or mounted on a saw trolley.

3.4 Recommendations for use

- Use of the wet cutting method is preferable in order to reduce the amount of dust produced when cutting. By using the self-priming water pump (accessory) you can work without need for a water supply hose. The water can be drawn, for example, directly from a container.
- Do not cut right through the workpiece in one pass. Move the saw back and forward several times until it gradually reaches the desired cutting depth.
- To avoid damaging the diamond cut-off wheel when dry cutting, lift the wheel out of the cut for approx. 10 seconds every 30 to 60 seconds while the saw is still running.
- Resharpener a dulled diamond cut-off wheel (i.e. when no diamonds project from the segment matrix) by cutting with the wheel in a very abrasive material such as sandstone.
- For extensive floor sawing applications, mount the saw on the trolley (accessory).

3.5 Cut-off wheel specifications



WARNING

Risk of injury. The use of cut-off wheels that are not in compliance with the ANSI standard can increase the risk of injury for the user.

► Do not use cut-off wheels that are not in compliance with the existing ANSI standard for cut-off wheels.

Diamond cut-off wheels in accordance with ANSI B7.1 are to be used with the product. Synthetic resin-bonded, fiber-reinforced cut-off wheels in accordance with ANSI B7.1 (straight, not dish-shaped, type cutting-off wheel) may also be used with the product for working on metals.

The instructions for use and installation instructions issued by the cut-off wheel manufacturer must be observed.

3.6 Items supplied

Gasoline-powered saw, operating instructions.

Other system products approved for use with this product can be found at your local **Hilti Store** or at: www.hilti.group

3.7 Consumables and wearing parts

- Air filter
- Cord
- Starter
- Fuel filter
- Spark plug
- Tool set
- Cylinder set
- Mounting screw assy.
- Flange (2)
- Centering bushing 20 mm/1"

4 Technical data

4.1 Product properties

	DSH 700-X 14"	DSH 900-X 16"
Product generation	04	04
Weight without cut-off wheel, fuel tank empty	12.1 kg (26.7 lb)	12.4 kg (27.3 lb)



	DSH 700-X 14"	DSH 900-X 16"
Weight with saw trolley, without cut-off wheel, fuel tank empty	43.1 kg (95.0 lb)	43.4 kg (95.7 lb)
Maximum spindle speed	5,100 /min (85.0 Hz)	4,700 /min (78.3 Hz)
Max. rotational speed of the cut-off wheel	5,100 /min (85.0 Hz)	4,700 /min (78.3 Hz)
Maximum cutting depth	125 mm (4.9 in)	150 mm (5.9 in)
Engine type	Single-cylinder, air-cooled two-stroke engine	Single-cylinder, air-cooled two-stroke engine
Engine displacement	87 cm ³ (5.3 in ³)	87 cm ³ (5.3 in ³)
Rated power (ISO 7293)	4.2 kW (5.6 hp)	4.2 kW (5.6 hp)
Engine rated speed (ISO 7293)	8000 ± 200 /min	8000 ± 200 /min
Idling speed	2750 ± 250 /min	2750 ± 250 /min
Ignition (type)	Electronically-controlled ignition timing	Electronically-controlled ignition timing
Electrode gap	0.7 mm (0.03 in)	0.7 mm (0.03 in)
Spark plug	Manufacturer: NGK, type: CMR7A	Manufacturer: NGK, type: CMR7A
Tightening torque for fitting the spark plug	12 Nm (9 ftlb _i)	12 Nm (9 ftlb _i)
Carburetor	Manufacturer: Walbro; model: WT; type: 1152	Manufacturer: Walbro; model: WT; type: 1152
Fuel mixture	API-TC oil 2% (1:50)	API-TC oil 2% (1:50)
Tank capacity	30.4 oz (900 cm ³)	30.4 oz (900 cm ³)
Arbor hole, cut-off wheel / diameter of centering collar of centering bushing (reversible)	20 mm or 25.4 mm (0.8 in or 1.00 in)	20 mm or 25.4 mm (0.8 in or 1.00 in)
Minimum flange outside diameter	102 mm (4.0 in)	102 mm (4.0 in)
Max. wheel thickness (steel disc thickness)	5.5 mm (0.22 in)	5.5 mm (0.22 in)
Maximum wheel outside diameter	350 mm (13.8 in)	400 mm (15.7 in)
Tightening torque for fitting the cut-off wheel	25 Nm (18 ftlb _i)	25 Nm (18 ftlb _i)

4.2 Exhaust emission values

The values obtained were obtained under laboratory conditions and derive from the test of an engine representative of the engine type over a fixed test cycle.

Emission values, CO₂ in [g/kWh]	840.1
---	-------

5 Preparations at the workplace

5.1 Fuel

The two-stroke engine runs on a mixture of gasoline and oil. The quality of the fuel mixture decisively influences operation and life expectancy of the engine.



WARNING

Risk of injury. The inhalation of gasoline vapors and skin contact with gasoline may be hazardous to the health.

- ▶ Avoid direct skin contact with gasoline. Wear protective gloves.
- ▶ If your clothing becomes soiled with gasoline, it is essential to change your clothing.
- ▶ Ensure that the workplace is well ventilated in order to avoid breathing in gasoline fumes.
- ▶ Use a fuel container that complies with the applicable regulations.

5.1.1 Selection criteria for fuel

- ▶ Use regular or super gasoline with an octane rating of at least 89 ROZ.



The alcohol content (e.g. ethanol, methanol or others) of the fuel used must not exceed 10%, otherwise the life expectancy of the engine will be greatly reduced.

5.1.2 Two-stroke oil

- ▶ Use good-quality two-stroke oil for air-cooled engines that meets at least the API-TC specification.

5.1.3 Mixing fuel



Always check that the specification of the two-stroke oil is correct for the application and always use a fuel/two-stroke oil mixture of the optimum mixing ratio. This helps prevent excessive wear and damage to the engine.

The optimum mixing ratio is **1:50**. This corresponds to 1 part two-stroke oil with the specification API-TC and 50 parts gasoline (e.g. 100 ml of two-stroke oil and 5 liters of gasoline mixed in a canister of appropriate capacity).

If you are uncertain of the quality of the two-stroke oil or the gasoline, increase the mixing ratio to **1:25**.

1. Pour the required quantity of two-stroke oil into the fuel canister.
2. Then fill the gasoline into the fuel canister.
3. Close the fuel canister.
4. Mix the fuel by shaking the fuel canister.

5.1.4 Refueling

1. If the following equipment exists, also take this action:
 - ▶ Mix the fuel/two-stroke oil mixture. 11
2. Place the product in a steady upright position.
3. Open the fuel tank by turning the cap counterclockwise and then removing the cap.
4. Fill the tank slowly using a funnel.
5. Close the fuel tank by fitting the cap and then turning the cap clockwise.
6. Close the fuel canister.

5.2 Assembly and adjustment



WARNING

Risk of injury. Contact with the rotating cut-off wheel can lead to injury. Hot parts of the machine or a hot cut-off wheel may cause burning injuries.

- ▶ Before fitting or adjusting any parts of the product, make sure that the engine is switched off, that the cut-off wheel has completely stopped rotating and that the product has cooled down.
- ▶ Wear protective gloves.



5.2.1 Fitting a cut-off wheel

WARNING

Risk of injury and damage. Unsuitable cut-off wheels or unsuitable parts used to secure the wheel can suffer irreparable damage during operation or lead to loss of control of the product or breakage of the accessory tool.

- ▶ Make sure that the cut-off wheel's maximum permissible speed is at least as high as the maximum spindle speed stated on the product. Use only cut-off wheels, flanges and screws that are suitable for your product.
- ▶ Use only cut-off wheels with a mounting hole diameter of 20 mm or 25.4 mm (1") and that are a correct fit on the centering bushing.

WARNING

Risk of injury and damage. Damaged cut-off wheels may break.

- ▶ If the cut-off wheel has been subjected to an impact, check the wheel for damage and replace it if necessary.
- ▶ Never use cut-off wheels that are damaged, run untrue or vibrate.

WARNING

Risk of injury and damage. Over-tightening securing screws can lead to damage or breakage of the securing screw itself or to the washer installed on the securing screw.

- ▶ Be sure to tighten the securing screw to the specified tightening torque.
- ▶ Take care not to overtighten the securing screw.

WARNING

Risk of injury! Incorrect installation or removal of the cut-off wheel can result in loose parts getting into the eyes and causing injuries.

- ▶ Always wear eye protection (protective goggles) when changing the accessory tool.

1. Insert the locking pin in the hole in the drive belt cover and turn the cut-off wheel until the locking pin engages.
2. Release the securing screw by turning the screw counterclockwise with the wrench and then remove the screw and washer.
3. Remove the locking pin.
4. Remove the clamping flange and the cut-off wheel.
5. Check that the diameter of the arbor hole in the cut-off wheel to be installed matches the centering collar of the cut-off wheel centering bushing.



The centering bushing has a 20 mm diameter centering collar on one side and a 25.4 mm (1") diameter centering collar on the other side.

6. Clean the clamping and centering surfaces on the product and on the cut-off wheel.
7. Place the cut-off wheel with centering collar on the drive arbor and check that the direction of rotation is correct.
 - ▶ The direction-of-rotation arrow on the cut-off wheel must match the direction of rotation indicated on the product.
8. Place the clamping flange and washer on the drive arbor and tighten the securing screw by turning it clockwise.
9. Insert the locking pin in the locking hole in the drive belt cover and turn the cut-off wheel until the locking pin engages.
10. Securely tighten the clamping screw (tightening torque: 25 Nm).
11. Remove the locking pin.

CAUTION

Risk of injury and damage. Damaged accessory tools can break.

- ▶ Never use an accessory tool that is damaged, runs out of true or vibrates.
- ▶ Keep clear of the danger zone.

12. After fitting a new cut-off wheel, run your product at full speed under no load for approximately 1 minute.



5.2.2 Adjusting the guard

WARNING

Risk of injury. Contact with the cut-off wheel, flying fragments or sparks can cause injury to persons.

- ▶ Adjust the guard so that flying particles or fragments of the material removed and flying sparks are directed away from the operator and the product.
-
- ▶ Rotate the guard into the desired position.
 - ▶ Make sure that the opening of the blade guard is not toward the user.

Do not use the curved water distributor as a grip.

5.2.3 Conversion from normal cutting to flush cutting

The front section of the saw arm can be converted to allow flush cuts to be made (e.g. as close as possible to edges and walls).

- ▶ If you wish to use the product in the flush cutting position, have the product converted by **Hilti Service**.

5.3 Locking rotary movement of the guide wheels

WARNING

Risk of injury. The saw could move inadvertently or fall down.

- ▶ When working on roofs, scaffolds and/or slopes, always block the guide rollers to prevent unwanted movement.
-
1. Release the guide wheel mounting screws and remove the guide wheels.
 2. Reverse the guide wheels (turn through 180°) and refit the mounting screws.
 - ▶ The integrated locking function is active.
 3. Check that the guide wheels are securely fastened.

5.4 Mounting the gasoline-powered saw on the saw trolley (accessory)

1. Remove the water tank from the saw trolley.
2. Move the cutting depth adjustment lever into the upper position.
3. Open the hold-down device by releasing the screw knob.
4. Fit the saw into the forward mount with the wheels as shown and swing the grip of the saw under the hold-down device.
5. Secure the saw by tightening the screw knob.
6. Fit the water tank after filling it.
7. Adjust the grip to a convenient working height.
8. Adjust the guard. 13

Especially when using the machine in this configuration for the first time, check to ensure that the throttle cable is correctly adjusted. When the throttle trigger is pressed fully, the product must run up to maximum speed. If this is not the case, the throttle cable can be readjusted by way of the cable tensioner.

When the throttle is not actuated, the engine must be idling and the cut-off wheel must not rotate. If this is not the case, switch off by pushing the run/stop switch to the “stop” position and then adjust the throttle cable or have the idling speed adjusted by **Hilti Service**.

5.5 Fitting the water pump (accessory)

1. Switch the product off.
2. Release the three pump cover retaining screws, remove the parts and store the pump cover in a safe place.

The pump cover must be fitted if the tool is used without the water pump.



3. Hold the water pump in position and turn the cut-off wheel slightly to bring the splines of water pump and clutch bell into alignment so that the splines engage.
 - ▶ The position is keyed so it is not possible to position the pump incorrectly.
4. Install the three retaining screws and tighten them to the specified tightening torque (tightening torque: 8 Nm).
5. Connect the pump hose to the hose connector on the saw.
6. Remove the protective cap from the end of the water connection hose.
7. Make sure that the water pressure in the water supply line is not more than 6 bar.
 - ▶ If the pressure in the water supply line is more than 6 bar, reduce the water pressure.
8. Connect the water pump to the water supply or immerse the end of the suction hose in a container filled with water.



Fit the protective cap to the end of the water connection hose when the water pump is not connected to a water supply.

5.6 Removing the water pump (accessory)

1. Switch the product off.
2. Disconnect the water supply from the water pump.
3. Fit the protective cap to the end of the water connection hose.
4. Disconnect the connector between the pump and the tool.
5. Release the three fastening screws on the pump and then remove the pump.
6. Fit the pump cover on the tool, insert the three retaining screws and tighten the screws securely (tightening torque: 4 Nm).

5.7 Starting the engine



DANGER

Risk of asphyxiation. Carbon monoxide, unburned hydrocarbons and benzene in the exhaust gas may cause asphyxiation.

- ▶ Don't work in closed rooms, trenches or pits and make sure the area is well ventilated.



WARNING

Risk of injury due to unexpected product behavior! Watch out for atypical behavior of the product. If you observe any of the following phenomena before start-up or during operation, immediately cease all work with the product and switch off the product, e.g. by pushing the on/stop switch to the **Stop** position, depressing the primer bulb (starter pump) or pulling the spark plug connector off the spark plug. Contact **Hilti Service**.

- ▶ Changed, increased speeds or unwanted acceleration of engine or cut-off wheel.
- ▶ Control switch, throttle trigger or other controls jam, are blocked or evince delayed reaction or return very slowly to the initial position.
- ▶ The cut-off wheel brakes considerably more slowly than expected or does not brake at all.



WARNING

Risk of burning injury. The exhaust system gets extremely hot when the engine is running. It stays hot for a long time after the engine is switched off.

- ▶ Wear protective gloves and avoid touching the exhaust system.
- ▶ Do not lay the product down on flammable material while hot.



WARNING

Risk of injury. A damaged exhaust system raises the noise level above the permissible limit and increases the risk of suffering hearing damage.

- ▶ Never use the product if the exhaust system is damaged, missing or if it has been tampered with.



WARNING

Risk of injury if product is operated without the cover for the water pump correctly installed Touching the water pump connection during operation leads to injuries.

- ▶ Before starting operation, make sure that the cover for the water pump is correctly installed.



⚠ WARNING

Risk of injury due to substances and gases igniting. Burns and fatalities can result.

- ▶ Do not use the product if flammable substances and gases are present.
- ▶ Ensure adequate ventilation.

⚠ CAUTION

Risk of burns or injury through pinching the fingers when the water pump is fitted. Touching the pump housing can cause burning injuries.

- ▶ Hold the forward grip only at the top and on the left side.

1. Press the decompression valve (once).
2. When starting the cold engine (only when cold), squeeze the primer bulb 2 to 3 times (until the primer bulb is completely filled with fuel).
3. Press the throttle safety grip and keep it pressed.
4. Press the throttle trigger and keep it pressed.
5. Move the run/stop switch to the “start” position.
6. Release the throttle safety grip and throttle trigger.
 - ▶ This half-throttle position is activated.
7. Check that the cut-off wheel is free to rotate.
8. Position your right foot over the lower part of the rear grip.
9. Pull the starter handle slowly with your right hand until resistance is felt.
10. Pull the starter handle vigorously.
11. Repeat this action until the engine starts.
12. Press the throttle trigger briefly as soon as the engine starts.
 - ▶ This disengages the half-throttle position and the engine then runs at idling speed when the throttle is released.

5.8 Checks after starting the engine

1. Check that the cut-off wheel remains stationary when the engine is idling and, after briefly running at full speed, that the wheel again comes to a complete standstill.
 - ▶ Readjust (reduce) the idling speed if the cut-off wheel doesn't stop rotating when the engine is idling. If this is not possible, please bring the product to **Hilti Service**.
2. Check that the run/stop switch is functioning correctly. Move the run/stop switch to the “stop” position.
3. If the engine doesn't stop, compress the primer bulb. If the engine still doesn't stop, pull the spark plug connector off the spark plug and bring the product to **Hilti Service**.

5.9 Switching the engine off

⚠ WARNING

Risk of injury. A rotating cut-off wheel can break or shatter, possibly resulting in flying fragments.

- ▶ Allow the rotating cut-off wheel to come to a complete standstill before you lay the saw down.

1. Release the throttle trigger.
2. Move the run/stop switch to the “stop” position.
 - ▶ The engine stops.

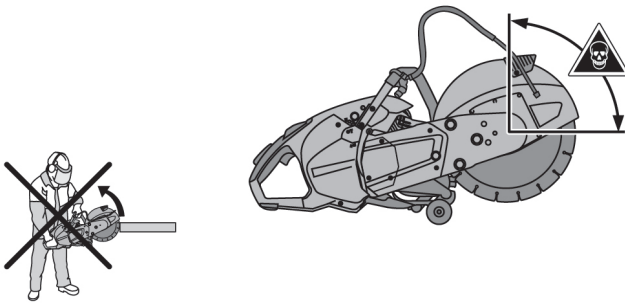
6 Operation

6.1 Cutting techniques

Avoiding kickback

There is a risk of kickback if the cut-off saw comes into contact with the working surface in the area indicated.



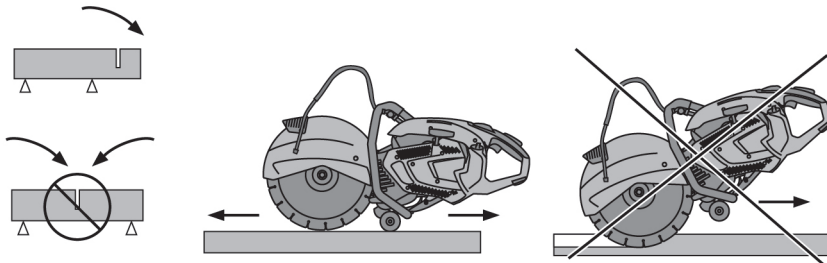


- ▶ Avoid bringing the cut-off saw into contact with the working surface in the area indicated.
- ▶ Always bring the cut-off wheel into contact with the workpiece from above. Allow the cut-off wheel to contact the workpiece only at a point below its rotational axis.
- ▶ Take special care when inserting the cut-off wheel in an existing kerf.

Avoiding stalling

If the cut-off wheel binds when the product is cutting in the direction of the ground, the product can jump forward in an uncontrolled manner.

If the cut-off wheel binds when the product is cutting vertically, for example in a wall, the product can jump upward in an uncontrolled manner.



CAUTION

Risk of cut-off wheel breakage or kickback. Application of excessive pressure causes distortion of the cut-off wheel. Sticking or stalling of the cut-off wheel increases the probability of kickback or cut-off wheel breakage.

- ▶ Avoid applying excessive pressure when cutting and don't allow the cut-off wheel to stick and stall.
 - ▶ Don't attempt to make an excessively deep cut.
-
- ▶ When cutting a thick workpiece, increase the depth of the kerf in steps. Avoid excessively deep cuts.
 - ▶ Allow the cut-off saw to reach full speed before starting the cut.
 - ▶ Bring the cut-off wheel into contact with the workpiece at right angles and below the axis of rotation.
 - ▶ Ease the cut-off wheel slowly into the workpiece in a back-and-forth movement, without applying excessive pressure.
 - ▶ Apply moderate pressure, adjusting the rate of advance to suit the material being cut.



A decrease in the rate of cutting progress may be an indication of blunt/dull ("polished") diamond segments. The diamond segments can be resharpened by making a few cuts in an abrasive material (Hilti sharpening plate or sand-lime block).

- ▶ Guide the cut-off saw smoothly and without applying lateral pressure to the cut-off wheel.



- ▶ Always hold the cut-off saw firmly with both hands on the grips provided. Keep the grips dry, clean and free from oil and grease.
- ▶ Make sure there is no-one in the working area and, in particular, in the direction in which the cut is to be made. Keep everyone approx. 15 m away from your workplace.

Positioning workpiece



- ▶ Support slabs or large workpieces so that the kerf remains open during and after the cutting operation.

7 Care and maintenance

WARNING

Risk of injury. Touching the rotating cut-off wheel or hot parts of the machine may lead to injury or burns.

- ▶ Switch the engine off and allow the product to cool down before all maintenance, repairs, cleaning or servicing.

7.1 Maintenance table

	Before use	Every 6 months	If necessary
Check that the tool is complete, in perfect condition and free of leaks. Have it repaired if necessary.	✓		
Check for dirt and foreign matter. Clean if necessary.	✓		
Check that the controls function correctly. Have repairs carried out if necessary.	✓		
Check that the cut-off wheel is in perfect condition. Replace if necessary.	✓		
Check that all externally accessible nuts and screws are securely tightened.	✓	✓	✓
Check that the fuel filter is clean. Replace it if necessary.		✓	✓
Replace the air filter if the product does not start or engine performance fades noticeably.			✓
Clean or replace the spark plug if the product does not start or is difficult to start.			✓
Adjust the idling speed if the cut-off wheel does not slow to a standstill when the engine is idling.			✓
Have the product repaired by Hilti Service if the drive belt slips when a load is applied to the cut-off wheel.			✓

7.2 Cleaning or replacing the air filter

ATTENTION

Risk of damage. Entry of dust causes irreparable damage to the product.

- ▶ Never operate the machine if the air filter is damaged or missing.
- ▶ When changing the air filter, the product should stand upright and should not be laid on its side. Take care to ensure that no dust finds its way onto the underlying filter screen.



Change the air filter if engine performance drops noticeably or if the engine becomes difficult to start.



1. Release the securing screw on the air filter cover and remove the cover.
2. Carefully remove the dust adhering to the air filter and the filter chamber (use a vacuum cleaner).
3. Release the four screws retaining the filter holder and remove the air filter.
4. Fit the new filter and secure it with the filter holder.
5. Fit the air filter cover and tighten the retaining screws.

7.3 Replacing a broken starter cord

ATTENTION

Risk of damage. The housing may suffer damage if the starter cord is too short.

- ▶ Never continue to use a broken starter cord. Replace it immediately.
-
1. Unscrew the three securing screws and remove the starter assembly.
 2. Remove the remaining pieces of the starter cord from the spool and the starter handle.
 3. Make a secure knot in the end of the replacement starter cord and then pass the free end of the cord through the hole in the spool from above.
 4. Pass the end of the cord through the opening in the starter housing from below, also through the starter handle from below, and then make a secure knot in the end of the cord.
 5. Pull a length of the starter cord out of the housing as shown in the illustration and pass it through the slot in the spool.
 6. Hold the cord securely close to the slot in the spool and then rotate the spool in a clockwise direction as far as it will go.
 7. Rotate the spool back from its end point at least a ½ revolution, max. 1 ½ revolutions, until the slot in the spool is in alignment with the opening in the starter housing.
 8. Hold the spool securely and pull the free end of the cord out of the housing towards the starter handle.
 9. Hold the cord under tension, release the spool and allow the starter cord to be pulled in.
 10. Pull the starter cord out as far as it will go and check to ensure that the spool can be turned by hand at least a further ½ turn in a clockwise direction. If this is not possible, spring tension must be reduced by one revolution in a counterclockwise direction.
 11. Fit the starter assembly and press it down gently. Pull the starter cord slightly until the coupling engages and the starter assembly is fully seated.
 12. Secure the starter assembly with the three retaining screws.

7.4 Replacing the fuel filter

WARNING

Risk of injury. The inhalation of gasoline vapors and skin contact with gasoline may be hazardous to the health.

- ▶ Avoid direct skin contact with gasoline. Wear protective gloves.
 - ▶ If your clothing becomes soiled with gasoline, it is essential to change your clothing.
 - ▶ Ensure that the workplace is well ventilated in order to avoid breathing in gasoline fumes.
 - ▶ Use a fuel container that complies with the applicable regulations.
-



When refueling the product, take care to ensure that no dirt or foreign matter finds its way into the fuel tank.

1. Remove the cap from the fuel tank.
2. Pull the fuel filter out of the fuel tank.
3. Check the condition of the fuel filter.
 - ▶ Replace the fuel filter if it is very dirty or clogged.
4. Slide back the clip on the hose and remove the dirty fuel filter.
5. Fit a new fuel filter and secure it with the clip on the hose.
6. Push the fuel filter back into the fuel tank.
7. Close the fuel tank.



7.5 Cleaning the spark plug, setting the spark plug gap or replacing the spark plug

CAUTION

Risk of injury. The spark plug and parts of the engine may be hot immediately after the product has been in use.

- ▶ Allow the product to cool down before undertaking maintenance or cleaning.
-
1. Use a gentle twisting motion to pull the cable connector off the spark plug.
 2. Use the spark plug wrench to unscrew and remove the spark plug from the cylinder.
 3. If necessary, clean the spark plug electrode with a soft wire brush.
 4. Check the spark plug gap and, if necessary, adjust it to the correct gap of 0,7 mm with a feeler gauge.
 5. Fit the ignition cable connector to the spark plug and hold the threaded section of the spark plug against the cylinder.
 6. Move the run/stop switch to the "start" position.

WARNING


Risk of injury. Touching the electrodes presents a risk of electric shock.

- ▶ Don't touch the spark plug electrodes.
-
7. Pull the starter cord (press the decompression valve first).
 - ▶ An ignition spark must now be clearly visible.
 8. Use the spark plug wrench to screw the spark plug into the cylinder (tightening torque: 12 Nm).
 9. Fit the ignition cable connector to the spark plug.


7.6 Adjusting the carburetor

The carburetor of this product was adjusted to the optimum setting prior to dispatch. The idling speed of the machine (jet T) may be adjusted by the user. All other adjustments must be carried out by **Hilti Service**.

 Tampering with the carburetor settings may cause damage to the engine.

- ▶ Clean the air filter.  17
- ▶ Allow the product to run until it reaches its normal operating temperature.
- ▶ Use a suitable flat screwdriver (tip width 4 mm/ $\frac{5}{32}$ ") and do not force the adjusting screw beyond its intended adjustment range.
- ▶ Adjust the idling speed jet (T) so that the engine runs smoothly when idling but the cut-off wheel does not begin to rotate.

7.7 Care and maintenance of the machine

 To help ensure safe and reliable operation, use only genuine Hilti spare parts and consumables. Spare parts, consumables and accessories approved by **Hilti** for use with your product can be found at your **Hilti Store** or online at: www.hilti.group

- ▶ Keep the product, especially its gripping surfaces, clean and free from oil and grease.
- ▶ Do not use cleaning agents containing silicone.
- ▶ Clean the outer surfaces of the machine at regular intervals with a slightly damp cloth or a dry brush. Do not use a spray, steam pressure cleaning equipment or running water for cleaning.
- ▶ Do not allow foreign objects to enter the interior of the product.

7.8 Maintenance

1. Check all external parts of the product and the accessories for damage at regular intervals and check that all controls operate faultlessly.
2. Do not use the product if parts are damaged or if operating controls do not function faultlessly. Have the product repaired by **Hilti Service**.



7.9 Checks after care and maintenance work

- ▶ After carrying out care and maintenance, check that all protective and safety devices are fitted and that they function faultlessly.

7.10 Cleaning the water nozzles

1. Remove the cleaning screw on the curved water distributor.
2. Use a wire to clean the water nozzles.
3. Fit the cleaning screw.

8 Transport and storage

8.1 Transportation in a vehicle

WARNING

Risk of fire and explosion. If the product tips over during transport, fuel may run out of the fuel tank.

- ▶ Empty the product's fuel tank completely before packing and shipping it.
- ▶ Transport the product, as far as possible, in its original packaging.

WARNING

Fire hazard. Hot parts of the machine could ignite material lying about in the surrounding area.

- ▶ Allow the product to cool down completely before packing it away or loading it into a vehicle.

1. Remove the cut-off wheel.
2. Secure the product to prevent it falling over, thereby causing damage or fuel spillage.
3. Transport the saw trolley only when the water tank has been emptied.

8.2 Storing the fuel mixture


CAUTION

Risk of injury. As pressure may build up in the fuel tank there is a risk of fuel being forced out when the fuel cap is opened.


- ▶ Always open the cap of the fuel tank carefully so that the pressure is relieved gradually.
- ▶ Store the fuel in a dry, well-ventilated room.

1. Mix only enough fuel for a few days' use.
2. Clean the fuel container occasionally.

9 Troubleshooting

Trouble or fault	Possible cause	Action to be taken
Cut-off wheel slows down or stops completely while cutting.	Excessive cutting pressure applied (cut-off wheel stalls in the kerf) or pressure applied to the cut-off wheel from the side.	▶ Reduce pressure when cutting and guide the product in a straight line.
	The cut-off wheel is not correctly fitted and tightened.	▶ Check how it is fitted and the tightening torque.
	Wrong direction of rotation.	▶ Fit the cut-off wheel.  12
	The forward section of the saw arm is loose.	▶ Have the product repaired by Hilti Service .
High vibration, wheel wanders off the cutting line.	The cut-off wheel is not correctly fitted and tightened.	▶ Check how it is fitted and the tightening torque.
	Cut-off wheel is damaged (or unsuitable specification, cracked, segments missing, bent, overheated, deformed, etc.).	▶ Change the cut-off wheel.



Trouble or fault	Possible cause	Action to be taken
High vibration, wheel wanders off the cutting line.	The centering bushing is fitted incorrectly.	<ul style="list-style-type: none"> ▶ Check that the diameter of the arbor hole in the cut-off wheel matches the centering collar of the cut-off wheel centering bushing.
The saw doesn't start or is difficult to start.	The fuel tank is empty (no fuel in the carburetor).	<ul style="list-style-type: none"> ▶ Fill the product's fuel tank.  11
	Air filter clogged with dirt or dust.	<ul style="list-style-type: none"> ▶ Change the air filter.
	The engine is flooded (spark plug wet).	<ul style="list-style-type: none"> ▶ Remove the spark plug, dry the plug and allow the cylinder to dry out.
	Wrong fuel mixture.	<ul style="list-style-type: none"> ▶ Empty the fuel tank and flush out the tank and fuel supply line. ▶ Fill the fuel tank with the correct fuel.
	Air in the fuel line (no fuel reaching the carburetor).	<ul style="list-style-type: none"> ▶ Remove the air from the fuel line by operating the fuel pump several times.
	The fuel filter is dirty or blocked (no fuel or too little fuel reaching the carburetor).	<ul style="list-style-type: none"> ▶ Clean the fuel tank and change the fuel filter.
	No ignition spark visible or spark is too weak (seen when spark plug is removed).	<ul style="list-style-type: none"> ▶ Clean the spark plug to remove carbon deposits. ▶ Check the spark plug electrode gap and set it correctly. ▶ Change the spark plug. ▶ Check the ignition coil, cable, plug connections and switch and change the defective part if necessary.
	Engine compression is too low.	<ul style="list-style-type: none"> ▶ Check the engine compression and, if necessary, replace worn parts (piston rings, piston, cylinder, etc.).
	The ambient temperature is too low.	<ul style="list-style-type: none"> ▶ Allow the saw to warm up to room temperature and repeat the starting procedure.
Low engine power / poor cutting performance	The spark arrestor or exhaust exit is clogged.	<ul style="list-style-type: none"> ▶ Clean the spark arrestor or exhaust exit.
	The decompression valve is stiff to operate.	<ul style="list-style-type: none"> ▶ Make sure that the valve operates freely.
	Air filter clogged with dirt or dust.	<ul style="list-style-type: none"> ▶ Change the air filter.
	No ignition spark visible or spark is too weak (seen when spark plug is removed).	<ul style="list-style-type: none"> ▶ Clean the spark plug to remove carbon deposits. ▶ Check the spark plug electrode gap and set it correctly. ▶ Change the spark plug. ▶ Check the ignition coil, cable, plug connections and switch and change the defective part if necessary.
	Wrong fuel mixture.	<ul style="list-style-type: none"> ▶ Empty the fuel tank and flush out the tank and fuel supply line. ▶ Fill the fuel tank with the correct fuel.



Trouble or fault	Possible cause	Action to be taken
Low engine power / poor cutting performance	The cut-off wheel specification is unsuitable for the material to be cut.	► Change the cut-off wheel or consult Hilti Service .
	Drive belt or cut-off wheel slips.	► Check that the cut-off wheel is clamped securely. ► Have the product repaired by Hilti Service .
	Engine compression is too low.	► Check the engine compression and, if necessary, replace worn parts (piston rings, piston, cylinder, etc.).
	The product is used at an altitude greater than 1500 meters above sea level.	► Have the carburetor adjusted by Hilti Service .
	Incorrect carburetor setting (fuel / air mixture).	► Have the carburetor adjusted by Hilti Service .
Cut-off wheel rotates while the engine is idling.	Idling speed is too high.	► Check the idling speed and adjust it if necessary.
	The half-throttle position is engaged.	► Release the half-throttle position.
	Faulty centrifugal clutch.	► Change the centrifugal clutch.
Cut-off wheel doesn't rotate.	Inadequate drive belt tension or the drive belt is broken.	► Have the product repaired by Hilti Service .
Starter assembly doesn't work.	The clutch claws are not engaging.	► Clean the clutch claws so that they move freely.
	Starter cord broken.	► Replace the starter cord.

10 Disposal

Most of the materials from which **Hilti** products are manufactured can be recycled. The materials must be correctly separated before they can be recycled. In many countries, your old tools, machines or appliances can be returned to **Hilti** for recycling. Ask **Hilti Service** or your Hilti representative for further information.

Drilling slurry

Disposal of drilling slurry directly into rivers, lakes or the sewerage system without suitable pretreatment presents environmental problems.

- Ask the local public authorities for information about current regulations.

We recommend the following pretreatment:

- Collect the drilling slurry (for example, using a wet-type vacuum cleaner).
- Allow the drilling slurry to settle and dispose of the solid material at a construction waste disposal site (addition of a flocculent may accelerate the settling process).
- The remaining water (alkaline, pH value greater than 7) must be neutralized by the addition of an acidic neutralizing agent or diluted with a large volume of water before it is allowed to flow into the sewerage system.

11 Further information

For more information on operation, technology, environment and recycling, follow this link: qr.hilti.com/manual/?id=2364461

This link is also to be found at the end of the operating instructions, in the form of a QR code.

12 Manufacturer's warranty

- Please contact your local **Hilti** representative if you have questions about the warranty conditions.



12.1 Federal emission control warranty statement

Your warranty rights and obligations

The U.S. Environmental Protection Agency (EPA), the California Air Resources Board (CARB), and **Hilti** are pleased to explain the Emission Control System Warranty applicable to your small non-road engine. In U.S. and Canada, small non-road engines must be designed, built and equipped to meet the stringent federal antismog standards. The equipment engine must be free from defects in materials and workmanship which cause it to fail to conform with U.S. EPA standards for the first two years from the date of sale to the ultimate purchaser. **Hilti** must warrant the emission control system on your small non-road engine for the periods of time listed above, provided there has been no abuse, neglect or improper maintenance of your unit. Your emission control system includes parts such as the carburetor and the ignition system. Where a warrantable condition exists, **Hilti** will repair at no cost to you. Expenses covered under warranty include diagnosis, parts and labor.

Manufacturer's warranty coverage

All 2001 and later small non-road engines are warranted to meet the applicable EPA and CARB requirements for two years. If any emission related part on your engine (as listed above) is defective, the part will be repaired or replaced by **Hilti**.

Owner's warranty responsibilities

As a small non-road engine owner, you are responsible for performance of the required maintenance as defined by **Hilti** in the owner's manual. **Hilti** recommends that you retain all receipts covering maintenance on your small non-road engine, but **Hilti** cannot deny warranty solely for the lack of receipts or for your failure to ensure the performance of all scheduled maintenance. Any replacement part or service that is equivalent in performance and durability may be used in non-warranty maintenance or repairs, and shall not reduce the warranty obligations of the engine manufacturer. As the small non-road equipment owner, you should be aware, however, that **Hilti** may deny you warranty coverage if your small non-road engine or a part of it has failed due to abuse, neglect, improper maintenance, unapproved modifications or the use of parts not made or approved by the original equipment manufacturer. You are responsible for presenting your small non-road engine to **Hilti** as soon as the problem exists. The warranty repairs should be completed in a reasonable amount of time, not to exceed 30 days.

Coverage

Hilti warrants to the ultimate purchaser and each subsequent purchaser that your small non-road equipment engine will be designed, built equipped, at the time of sale, to meet all applicable regulations. **Hilti** also warrants to the initial purchaser and each subsequent purchaser that the emission-related warranted parts are free from defects in material and workmanship which cause the engine to fail to conform with applicable regulations for a period of two years. These warranty periods will begin on the date small non-road equipment engine is purchased by the initial purchaser. If any emission-related part on your engine is defective during this warranty period, the part will be replaced by **Hilti** at no cost to the owner. **Hilti** shall remedy warranty defects at authorized **Hilti** service and repair centers. Any authorized work done at an authorized **Hilti** service and repair center shall be free of charge to the owner if it is determined that a warranted part is defective. Any manufacturer-approved or equivalent replacement part may be used for any warranty maintenance or repairs on emission-related parts, and must be provided free of charge to the owner if the part is still under warranty. **Hilti** is liable for damages to other engine components caused by the failure of a warranted part still under warranty. The California Air Resources Board's Emission Warranty Part List specifically defines the emission related, warranted parts. These warranted parts are: the carburetor assembly, coil assembly, rotor, spark plug, air filter, fuel filter, breather manifold and the gaskets.

Maintenance requirements

The owner is responsible for performing the required maintenance as defined by **Hilti** in the owner's manual.

Limitations

The Emission Control Systems Warranty shall not cover any of the following: a) repair or replacement required because of misuse, neglect or lack of required maintenance, b) repairs improperly performed or replacements not conforming to **Hilti** specifications that adversely affect performance and/or durability, and alterations or modifications not recommended or approved in writing by **Hilti**, and c) replacement of parts and other services and adjustments necessary for required maintenance at and after this first scheduled replacement point. Except as set forth above, the warranty terms set forth in section 12 below, apply.

12.2 Manufacturer's warranty

Hilti warrants that it will repair or replace any part containing a defect in material and workmanship for 20 years from the original sale date. This warranty is valid so long as the tool is operated and handled correctly, cleaned and serviced properly and in accordance with the **Hilti** Operating Instructions, and the technical



system is maintained. This means that only original **Hilti** consumables, components and spare parts may be used in the tool.

This warranty provides the free-of-charge repair or replacement of defective parts only over the entire lifespan of the tool. Parts requiring repair or replacement as a result of normal wear and tear are not covered by this warranty.

Additional claims are excluded, unless stringent national rules prohibit such exclusion. In particular, Hilti is not obligated for direct, indirect, incidental or consequential damages, losses or expenses in connection with, or by reason of, the use of, or inability to use the tool for any purpose. Implied warranties of merchantability or fitness for a particular purpose are specifically excluded.

For repair or replacement, contact **Hilti** immediately upon discovery of the defect at:

In the USA:

800.879.8000

Hilti Inc.

7250 Dallas Parkway, Suite 1000

Plano, TX 75024

CS.InboundUS@hilti.com

In Canada:

800.343.4458

Hilti (Canada) Corporation

2360 Meadowpine Blvd

Mississauga, ON L5N 6S2

CanadaSalesSupport.English@hilti.com

CanadaSalesSupport.French@hilti.com

This constitutes **Hilti's** entire obligation with regard to warranty and supersedes all prior or contemporaneous comments and oral or written agreements concerning warranties.

Mode d'emploi original

1 Indications relatives au mode d'emploi

1.1 À propos de ce mode d'emploi

- **Avertissement !** Il convient de lire et comprendre toute la documentation jointe, y compris, sans s'y limiter, les instructions, avertissements de sécurité, illustration et spécifications fournies avec le présent produit. Prenez connaissance de toutes les instructions, avertissements de sécurité, illustrations, spécifications et fonctions du produit avant de l'utiliser. Tout manquement à cette obligation peut entraîner un choc électrique, un incendie, et/ou des blessures graves. Conservez l'ensemble des avertissements et instructions pour consultation ultérieure.
- Les produits sont destinés aux professionnels et ne doivent être utilisés, entretenus et réparés que par un personnel autorisé et formé. Ce personnel doit être spécialement instruit quant aux dangers inhérents à l'utilisation de l'appareil. Le produit et ses accessoires peuvent s'avérer dangereux s'ils sont utilisés de manière incorrecte par un personnel non qualifié ou de manière non conforme à l'usage prévu.
- La documentation ci-jointe correspond à l'état actuel de la technique à la date d'impression. Veuillez toujours consulter la dernière version sur la page du produit sur le site Internet de Hilti. Pour ce faire, suivez le lien ou scannez le code QR dans la documentation, indiqué par le symbole .
- Ne pas prêter ou céder le produit à un autre utilisateur sans lui fournir le présent mode d'emploi.

1.2 Explication des symboles

1.2.1 Avertissements

Les avertissements attirent l'attention sur des dangers liés à l'utilisation du produit. Les termes de signalisation suivants sont utilisés :

DANGER

DANGER !

- ▶ Pour un danger imminent qui peut entraîner de graves blessures corporelles ou la mort.



AVERTISSEMENT

AVERTISSEMENT !

- Pour un danger potentiel qui peut entraîner de graves blessures corporelles ou la mort.

ATTENTION

ATTENTION !

- Pour une situation potentiellement dangereuse pouvant entraîner des blessures corporelles ou des dégâts matériels.

1.2.2 Symboles dans le manuel d'utilisation

Les symboles suivants sont utilisés dans le présent manuel d'utilisation :

	Respecter le manuel d'utilisation
	Pour des conseils d'utilisation et autres informations utiles
	Maniement des matériaux recyclables
	Ne pas jeter les appareils électriques et les accus dans les ordures ménagères

1.2.3 Symboles dans les illustrations

Les symboles suivants sont utilisés dans les illustrations :

	Ces chiffres renvoient à l'illustration correspondante au début du présent manuel d'utilisation.
	La numérotation dans les illustrations indique les étapes de travail importantes ou les composants importants pour les étapes de travail. Dans le texte, ces étapes de travail ou composants sont mis en évidence avec les numéros correspondants, par ex. (3) .
	Les numéros de position sont utilisés dans l'illustration Vue d'ensemble et renvoient aux numéros des légendes dans la section Vue d'ensemble du produit .
	Ce signe doit inviter à manier le produit en faisant particulièrement attention.

1.3 Symboles spécifiques au produit

1.3.1 Symboles sur le produit

Les symboles suivants sont utilisés sur le produit :

	AVERTISSEMENT ! Lire et respecter toutes les instructions de sécurité du manuel d'utilisation. Le non-respect de ces instructions peut entraîner des blessures graves, voire la mort.
	Flèche indiquant le sens de rotation sur le carter de protection
	Position Arrêt du moteur
	Position Marche du moteur
	Pompe de démarreur
	Vis de réglage de la buse de plein régime
	Vis de réglage de la buse de marche à vide
	Vis de réglage de la marche à vide
	Sens d'ouverture du couvercle du réservoir



	Transmission de données sans fil
	Mélange de carburants
/min	Vitesse de rotation
RPM	Tours par minute
	Diamètre

1.3.2 Symboles de danger

Les symboles de danger suivants sont utilisés sur le produit :

	Danger d'ordre général
	Danger dû aux projections d'escarbilles
	Avertissement de risques d'inhalation de vapeurs toxiques et gaz d'échappement
	Danger dû au contrecoup
	Danger dû à une surface chaude
	Vitesse maximale de l'arbre

1.3.3 Symboles d'obligation

Les symboles d'obligation suivants sont utilisés sur le produit :

	Porter un casque antibruit, des lunettes de protection, un masque respiratoire et un casque de protection
	Porter des gants de protection
	Porter des chaussures de protection

1.3.4 Symboles d'interdiction

Les avis d'interdiction suivants sont utilisés sur le produit :

	Ne pas utiliser de disques à tronçonner dentés
	Ne pas utiliser de disques à tronçonner endommagés
	Interdiction de fumer et de manipuler l'appareil à proximité d'un feu ouvert

2 Sécurité

2.1 Indications générales de sécurité

⚠ AVERTISSEMENT Lire toutes les consignes de sécurité, instructions, illustrations et caractéristiques techniques, qui accompagnent ce produit. Tout manquement au respect des instructions suivantes peut entraîner de graves blessures ou un accident mortel.

Les consignes de sécurité et instructions doivent être intégralement conservées pour les utilisations futures.



2.2 Sécurité des personnes

- ▶ Utiliser le produit approprié. Ne pas utiliser le produit à des fins non prévues, mais seulement conformément aux spécifications et dans un état technique irréprochable.
- ▶ Ne jamais entreprendre de manipulation ni de modification sur le produit.
- ▶ Le produit doit uniquement être utilisé par des personnes qui connaissent bien l'appareil, ayant été formées quant à son utilisation en toute sécurité et comprenant les dangers qui en résultent. Le produit n'est pas destiné aux enfants.
- ▶ Rester vigilant, surveiller ce que l'on fait. Faire preuve de bon sens en utilisant le produit. Ne pas utiliser le produit en étant fatigué ou sous l'emprise de drogues, de l'alcool ou de médicaments. Un moment d'inattention lors de l'utilisation du produit peut entraîner des blessures graves.
- ▶ Ne pas exercer de force excessive sur la tronçonneuse. Utiliser la tronçonneuse adaptée pour l'application concernée. Avec une tronçonneuse adaptée, les travaux peuvent être effectués de manière plus efficace et plus sûre, à une vitesse de travail pour laquelle la tronçonneuse a été conçue.
- ▶ Ne pas utiliser d'autres outils de coupe que ceux décrits dans la présente documentation.
- ▶ Sauf spécification à cet effet par le fabricant, ne pas utiliser de disques à liant artificiel pour la coupe avec de l'eau.
- ▶ Ne pas utiliser de douilles de réduction et/ou de brosses rondes.
- ▶ Pendant l'utilisation du produit, conformément à la norme ANSI Z87.1, l'utilisateur et les personnes à proximité doivent porter des lunettes de protection homologuées, un casque de protection, des protections auditives, des gants de protection, des chaussures de sécurité et une protection respiratoire appropriée.
- ▶ Avant d'utiliser le produit, ou en cas de collision avec un obstacle, vérifier immédiatement si le carter de protection n'est pas endommagé. Tout carter de protection endommagé ou cassé doit être immédiatement remplacé.
- ▶ Veiller à disposer d'un extincteur à proximité, car il y a risque d'incendie du fait de la formation d'étincelles lors du travail et de l'utilisation de carburant.
- ▶ La poussière générée par le meulage, le ponçage, le tronçonnage et le forage peut contenir des produits chimiques dangereux. Quelques exemples : plomb ou peinture à base de plomb ; brique, béton et autres produits de maçonnerie, pierre naturelle et autres produits contenant des silicates ; certains bois, tels que le chêne, le hêtre et le bois traité chimiquement ; amiante ou matériaux contenant de l'amiante. Déterminer l'exposition de l'opérateur et personnes se trouvant dans l'entourage en fonction de la classe de danger des matériaux traités. Prendre les mesures nécessaires pour maintenir l'exposition à un niveau sûr, par exemple en utilisant un système de collecte des poussières ou en portant une protection respiratoire appropriée. Mesures générales visant à réduire l'exposition :
 - ▶ Travailler dans un endroit bien ventilé
 - ▶ Éviter le contact prolongé avec la poussière
 - ▶ Faire en sorte que la poussière soit dirigée loin du visage et du corps
 - ▶ Porter des vêtements de protection et laver les zones exposées à l'eau et au savon.
- ▶ Toujours tenir le produit des deux mains par les poignées prévues à cet effet. Veiller à ce que les poignées soient toujours sèches, propres et exemptes de traces de graisse et d'huile.
- ▶ Si la vitesse de rotation augmente de manière incontrôlée, régler l'interrupteur Marche/Arrêt sur Stop. Contacter le S.A.V. **Hilti**.
- ▶ Arrêter immédiatement la tronçonneuse thermique à l'aide de l'interrupteur Marche / Arrêt, si le câble d'accélération du chariot de guidage est coincé ou que le levier d'accélération coince.
- ▶ Ne jamais utiliser le produit sans carter de protection. Mettre le carter de protection bien en place. Il doit être correctement fixé et positionné pour assurer une protection maximale, de sorte que la partie du disque à tronçonner non protégée en direction de l'utilisateur soit la plus petite possible. Veiller à ce que les étincelles produites en cours d'utilisation n'engendrent pas de danger. Le carter de protection sert à protéger l'utilisateur contre des fragments de disques à tronçonner cassés, le contact involontaire du disque à tronçonner ainsi que des étincelles incontrôlées.
- ▶ Éviter de toucher des pièces en rotation – Risque de blessures !
- ▶ Veiller à garder toujours une position stable et équilibrée. Ceci permet de mieux contrôler le produit dans des situations inattendues. Éviter toute posture anormale. Lors de l'utilisation du produit, le tenir de sorte que la poussière, les projections d'escarbilles et d'éventuels éclats de l'outil amovible ou de la pièce à usiner ne touchent pas le corps. Ne pas se pencher au-dessus du disque à tronçonner.
- ▶ S'habiller de manière adaptée. Ne pas porter de vêtements amples ni de bijoux. Garder les cheveux, les vêtements et les gants à distance des parties en mouvement. Des vêtements amples, des bijoux ou des cheveux longs peuvent être happés par des parties en mouvement.



- ▶ Si le produit ou le disque à tronçonner est tombé, vérifier que le produit et le disque à tronçonner ne sont pas endommagés. Le cas échéant, remplacer le disque à tronçonner.
- ▶ Arrêter le produit avant de modifier le réglage du carter de protection ou de changer de disque à tronçonner.
- ▶ Porter aussi des gants de protection pour changer d'outil. Risque de blessures par coupure et de brûlures au contact avec le disque à tronçonner.
- ▶ Éviter que la peau n'entre en contact avec les boues qui se forment lors du tronçonnage avec de l'eau.
- ▶ Ne pas tronçonner des matériaux contenant de l'amiante.
- ▶ Ne pas tronçonner ni usiner des matériaux légèrement inflammables tels que le magnésium ou le bois.
- ▶ Faire régulièrement des pauses et des exercices de relaxation et de massage des doigts pour favoriser l'irrigation sanguine dans les doigts. En cas de travaux prolongés, les vibrations peuvent perturber la circulation dans les vaisseaux sanguins ou le système nerveux dans les doigts, les mains ou le poignet.
- ▶ Avant de commencer le travail, consulter le staticien, l'architecte ou le chef de chantier compétent. Les fentes dans des murs et autres structures porteurs sont susceptibles de modifier la statique de la construction, en particulier lors d'interventions sur des armatures métalliques ou des éléments porteurs.
- ▶ Lors de travaux d'ajourage, protéger l'espace du côté opposé aux travaux. Des morceaux de matériaux risquent d'être éjectés et / ou de tomber, et de blesser d'autres personnes.
- ▶ Ne jamais laisser le produit fonctionner sans surveillance.
- ▶ Arrêter le moteur et attendre jusqu'à ce que le disque à tronçonner soit complètement immobile avant de déposer le produit au sol ou de le porter ou transporter jusqu'à la prochaine position de travail.
- ▶ Si le produit est utilisé sans pompe à eau externe, il faut dans tous les cas monter le couvercle de pompe.
- ▶ Toujours arrêter le produit après utilisation.
- ▶ Entretien soigneusement le produit. Vérifier que le fonctionnement du produit n'est pas entravé par des pièces cassées ou endommagées. Faire réparer les parties endommagées avant d'utiliser le produit.
- ▶ N'utiliser que des accessoires et des outils d'origine de **Hilti** pour éviter tout risque de blessures.
- ▶ Ne faire réparer le produit que par un personnel qualifié et seulement avec des pièces de rechange d'origine. Ceci permet d'assurer la sécurité du produit.
- ▶ Observer les exigences en matière de sécurité nationales en vigueur.
- ▶ Éviter tout contact avec les câbles d'allumage ou le connecteur de bougies d'allumage lorsque le moteur est en marche. Toujours couper le moteur lors du remplacement de bougies d'allumage ou lors de la réalisation d'inspections sur le système d'allumage ou sur des composants du système d'allumage.

2.3 Sécurité relative au système électrique

- ▶ Avant d'entamer le travail, vérifier qu'il n'y a pas de câbles ou gaines électriques, tuyaux de gaz ou d'eau cachés dans la zone d'intervention. Les pièces métalliques extérieures du produit sont susceptibles de provoquer une décharge électrique si un câble électrique est endommagé par inadvertance.
- ▶ Organiser le travail à effectuer à l'avance après avoir inspecté le site d'intervention. Vérifier si des panneaux d'avertissement ont été posés et s'il faut définir une distance de travail à respecter par rapport aux autres personnes.

2.4 Sécurité sur le lieu de travail

- ▶ Veiller à ce que l'espace de travail soit bien éclairé.
- ▶ Ne jamais travailler dans des locaux fermés. Le monoxyde de carbone, les hydrocarbures imbrûlés et le benzène dans les gaz d'échappement peuvent provoquer une asphyxie.
- ▶ Laisser le poste de travail en ordre. Débarrasser le poste de travail de tous objets susceptibles de blesser. Un désordre sur le lieu de travail peut provoquer des accidents.
- ▶ Les étincelles chaudes véhiculées par les gaz d'échappement ainsi que les étincelles produites lors de la découpe peuvent être à l'origine d'incendies et/ou d'explosions. S'assurer que les étincelles générées ne peuvent pas allumer des substances inflammables (essence, herbe sèche, etc. ou explosives (gaz, etc.).
- ▶ Uniquement installer le réservoir d'eau rempli sur le chariot de guidage uniquement si la tronçonneuse est montée sur le chariot de guidage. Ceci permet d'éviter que le chariot de guidage ne tombe.
- ▶ Ne pas disposer le produit et le chariot de guidage sur une surface inclinée. Toujours veiller à la stabilité du produit et du chariot de guidage.
- ▶ Après le montage de la pompe à eau, s'assurer que les vis sont bien serrées avec le couple de serrage recommandé.
- ▶ Avant de monter la pompe à eau, s'assurer que la pression maximale autorisée de 87 psi n'est pas dépassée dans la conduite d'eau.



2.5 Liquides (essence et huile) et vapeurs

- ▶ Il y a risque pour la santé en respirant les vapeurs d'essence et au contact avec l'essence.
 - ▶ Éviter le contact direct de l'essence avec la peau. Porter des gants de protection.
 - ▶ Si des vêtements sont souillés avec de l'essence, il faut impérativement en changer.
 - ▶ Veiller à une bonne ventilation du poste de travail, pour éviter de respirer les vapeurs d'essence.
 - ▶ Utiliser un récipient à carburant conforme aux prescriptions.
- ▶ Ne pas mettre d'essence dans le produit lorsque le moteur est en marche. Attendre jusqu'à ce que le moteur ait refroidi.
- ▶ Ne jamais fumer en faisant le plein d'essence, il y a un risque d'incendie et d'explosion.
- ▶ Ne pas ravitailler le produit à proximité de l'environnement de travail (il doit se trouver à 3 mètres/10 pieds du poste de travail). En faisant le plein, veiller à ne pas renverser de carburant. Utiliser un entonnoir approprié.
- ▶ Éviter de respirer les vapeurs d'essence et les gaz d'échappement. Veiller toujours à ce que la ventilation soit suffisante.
- ▶ Ne pas utiliser d'essence ni toute autre substance inflammable pour effectuer des opérations de nettoyage.

2.6 Consignes de sécurité pour les tronçonneuses à disque abrasif

- ▶ **Le carter de protection faisant partie intégrante de l'outil électroportatif doit être solidement fixé et réglé de manière à atteindre la sécurité maximale, c.-à-d. que la plus petite partie possible de la meule doit être ouverte en direction de l'utilisateur. L'utilisateur et les personnes se trouvant à proximité doivent se tenir en dehors du plan du disque à meuler rotatif.** Le carter de protection doit protéger l'utilisateur des éclats et d'un contact accidentel avec la meule.
- ▶ **Utiliser exclusivement des disques à tronçonner composites renforcés ou disques à tronçonner diamanté pour votre outil électroportatif.** Le simple fait de pouvoir fixer l'accessoire sur l'outil électroportatif ne garantit pas une utilisation sûre.
- ▶ **La vitesse admissible de l'outil amovible doit au moins être égale à la vitesse supérieure indiquée sur l'outil électroportatif.** Les accessoires dont la vitesse de rotation est supérieure à celle admissible risquent de se briser ou de voltiger.
- ▶ **Les disques doivent uniquement être utilisés pour les possibilités d'applications recommandées. Par exemple : Ne jamais meuler avec la surface latérale d'un disque à tronçonner.** Les disques à tronçonner sont prévus pour attaquer le matériau avec l'arête du disque. Une action latérale sur ces disques risque de les casser.
- ▶ **Toujours utiliser des brides de serrage en parfait état, de dimensions et de forme adaptées au disque à meuler choisi.** Des brides adaptées soutiennent le disque et réduisent le risque de cassure du disque à meuler.
- ▶ **Ne pas utiliser de disques à meuler usés provenant d'outils électroportatifs plus grands.** Les disques à meuler destinés aux outils électroportatifs plus grands ne sont pas dimensionnés pour les vitesses supérieures des outils électroportatifs plus petits et risquent de se casser.
- ▶ **Le diamètre extérieur et l'épaisseur de l'outil amovible doivent correspondre aux cotes de l'outil électroportatif.** Des outils amovibles mal dimensionnés peuvent ne pas être suffisamment protégés ou contrôlés.
- ▶ **Les disques à meuler et les flasques doivent exactement s'adapter sur la broche de meulage de l'outil électroportatif.** Les accessoires qui ne s'adaptent pas exactement sur la broche de meulage de l'outil électroportatif ne tournent pas de manière uniforme, vibrent fortement et risquent d'entraîner une perte de contrôle.
- ▶ **Ne pas utiliser de disques à meuler endommagés. Avant chaque utilisation, vérifier que les disques à meuler ne sont ni écaillés ni fendus. En cas de chute de l'outil électroportatif ou du disque à meuler, vérifier qu'il n'est pas endommagé et, le cas échéant, utiliser un disque à meuler non endommagé. Une fois le disque à meuler contrôlé et monté, l'utilisateur ainsi que les personnes se trouvant à proximité doivent se tenir en dehors du plan du disque à meuler en rotation. Veiller à laisser tourner l'appareil pendant une minute à la vitesse de rotation maximale. C'est lors de cette période de test que les disques à meuler endommagés se cassent le plus souvent.**
- ▶ **Porter des équipements de protection individuelle. Utiliser, selon l'application, une protection du visage, une protection des yeux ou des lunettes de protection. Dans la mesure où ces équipements sont appropriés, porter un masque anti-poussière, un casque antibruit, des gants de protection ou un tablier spécial qui permettent de maintenir à distance les particules de matériau et de meulage. Les yeux devraient être protégés contre les corps étrangers en suspension dans l'air, produits par**



diverses applications. Les masques anti-poussière ou respiratoire doivent filtrer la poussière résultant de l'utilisation. En cas d'exposition prolongée à un bruit important, il y a risque de perte d'audition.

- ▶ **Veiller à ce que les autres personnes se tiennent à une distance de sécurité de l'espace de travail. Toute personne accédant à l'espace de travail doit porter des équipements de protection individuelle.** Des éclats de la pièce travaillée ou des outils amovibles cassés risquent d'être projetés en l'air et de provoquer des blessures même à l'extérieur de l'espace de travail direct.
- ▶ **Ne jamais poser l'outil électroportatif avant que l'outil amovible soit complètement arrêté.** L'outil amovible rotatif peut entrer en contact avec la surface sur laquelle l'outil électroportatif est posé, risquant d'entraîner ainsi une perte de contrôle de l'outil électroportatif.
- ▶ **Ne pas laisser l'outil électroportatif tourner en le portant.** Les vêtements risquent d'être happés par un contact accidentel avec l'accessoire rotatif et l'outil électroportatif risque de perforer le corps de l'utilisateur.
- ▶ **Nettoyer régulièrement les fentes de ventilation de l'outil électroportatif.** Le ventilateur du moteur attire la poussière dans le carter, et une forte accumulation de poussière métallique peut représenter des dangers électriques.
- ▶ **Ne pas utiliser l'outil électroportatif à proximité de matériaux inflammables.** Des étincelles risquent d'enflammer ces matériaux.
- ▶ **Ne pas utiliser d'outils amovibles qui requièrent l'utilisation de réfrigérants liquides.** L'utilisation d'eau ou d'autres réfrigérants liquides risque de provoquer une décharge électrique.

Contrecoup et indications de sécurité correspondantes

Le contrecoup est une réaction soudaine qui se produit lorsqu'un disque à meuler en rotation reste accroché ou se bloque. Dans le cas d'un blocage ou d'un accrochage, l'outil en rotation s'arrête brusquement. De ce fait, un outil électroportatif incontrôlé est accéléré, à l'endroit du blocage, dans le sens de rotation opposé à celui de l'accessoire.

Si par ex. un disque à meuler reste accroché ou se bloque dans la pièce travaillée, l'arête du disque à meuler plongée dans la pièce peut rester accrochée et provoquer l'éclatement du disque à meuler ou un contrecoup. Le disque à meuler se déplace ensuite vers l'utilisateur ou s'éloigne de lui, selon le sens de rotation du disque à l'endroit du blocage. Ici aussi les disques à meuler risquent de se casser.

Un contrecoup est la conséquence d'une mauvaise utilisation ou d'une utilisation incorrecte de l'outil électroportatif. Il peut être évité en prenant les mesures de précaution adaptées telles que décrites ci-dessous.

- ▶ **Bien tenir l'outil électroportatif, et garder le corps et les bras dans une position permettant d'amortir les forces de contrecoup. Toujours utiliser la poignée supplémentaire, si celle-ci est présente, afin d'avoir le meilleur contrôle possible sur les forces de contrecoup ou les couples antagonistes lors de l'accélération à pleine vitesse.** L'utilisateur peut maîtriser les forces de contrecoup et antagonistes en prenant les précautions appropriées.
- ▶ **Ne jamais approcher la main des outils amovibles rotatifs.** En cas de contrecoup, l'outil amovible risque d'aller sur la main de l'utilisateur.
- ▶ **Éviter la zone devant et derrière le disque à tronçonner rotatif.** Le contrecoup entraîne l'outil électroportatif dans le sens opposé au déplacement du disque à l'endroit du blocage.
- ▶ **Travailler avec une extrême prudence dans les coins, arêtes vives, etc. Éviter que les outils amovibles rebondissent sur la pièce à travailler et se coincent.** L'outil amovible rotatif a tendance à se coincer dans les coins, sur les arêtes vives ou lorsqu'il rebondit. Ceci entraîne une perte de contrôle ou un contrecoup.
- ▶ **Ne pas utiliser de lames de scie à chaîne ou dentées, tout comme ne pas utiliser de disques diamants segmentés présentant des fentes supérieures à 10 mm.** De tels outils amovibles entraînent souvent un contrecoup ou la perte de contrôle de l'outil électroportatif.
- ▶ **Éviter de bloquer le disque à tronçonner et de le soumettre à une pression trop forte. Ne pas effectuer de coupes de profondeur excessive.** Une surcharge du disque à tronçonner augmente sa sollicitation et la probabilité de pliage ou blocage, et par conséquent l'éventualité d'un contrecoup ou de cassure du disque.
- ▶ **Si le disque à tronçonner se coince ou que le travail est interrompu, débrancher l'appareil et attendre tranquillement jusqu'à ce que le disque s'arrête. Ne jamais essayer de sortir le disque à tronçonner encore en rotation de la coupe, sans quoi un contrecoup risque de se produire.** Déterminer et résoudre la cause du coincement.
- ▶ **Ne jamais remettre l'outil électroportatif en marche tant qu'il se trouve dans la pièce à travailler. Attendre que le disque à tronçonner atteigne la pleine vitesse avant de poursuivre prudemment la coupe.** Dans le cas contraire, le disque risque de s'accrocher, de sauter de la pièce ou d'entraîner un contrecoup.
- ▶ **Soutenir les panneaux ou grandes pièces à travailler afin de réduire le risque d'un contrecoup causé par un disque à tronçonner coincé.** De grandes pièces à travailler peuvent se courber sous



leur propre poids. La pièce à travailler doit être soutenue des deux côtés du disque et ce, aussi bien à proximité de la coupe que sur l'arête.

- ▶ **Procéder avec une extrême prudence en cas de « coupes en plongée » dans les murs existants ou autres zones imprévisibles.** Le disque à tronçonner plongeant risque de sectionner des conduites d'eau ou de gaz, des câbles ou gaines électriques, ou d'autres objets, et de causer un contrecoup.

2.7 Transport et stockage

- ▶ Toujours arrêter le produit avant de le transporter.
- ▶ Enlever le disque à tronçonner du produit après utilisation. Le disque à tronçonner risque d'être endommagé si l'appareil est transporté avec le disque à tronçonner monté.
- ▶ Manier les disques à tronçonner avec prudence et garder les instructions du fabricant.
- ▶ Le produit doit toujours être debout et jamais posé sur le côté pour l'entreposage et le transport.
- ▶ Ne jamais porter le chariot de guidage et le produit ensemble. Enlever le réservoir d'eau avant de transporter le chariot de guidage.
- ▶ Le produit et le chariot de guidage ne doivent jamais être transportés à l'aide d'une grue.
- ▶ Conserver les produits non utilisés en toute sécurité. Tous les produits non utilisés doivent être rangés dans un endroit sec, en hauteur ou fermé à clé, hors de portée des enfants.
- ▶ Lorsque le produit est déposé, veiller à ce qu'il soit posé de manière sûre.
- ▶ Après son utilisation, laisser d'abord le produit refroidir avant de l'emballer ou de le recouvrir.
- ▶ Entreposer l'essence et l'huile dans des récipients prévus à cet effet, dans un local bien ventilé.

2.8 CALIFORNIA PROPOSITION 65



DANGER

Fuels used in gas or oil filled appliances and the product of combustion of such fuels contain chemicals (including Benzene, toluene, xylenes, 1,3 butadiene and formaldehyde) known to the State of California to cause cancer, birth defects or other reproductive harm. **Wash hands after handling!**

2.9 Informations sur les valeurs limites de CO₂ mesurées

Toujours entretenir et utiliser le moteur de la tronçonneuse conformément aux instructions d'utilisation et d'entretien de ce mode d'emploi. Cela garantit le respect d'émissions de gaz d'échappement dans les limites prescrites par la loi.

Le non-respect des instructions d'utilisation et d'entretien décrites dans le présent mode d'emploi peut compromettre la conformité du produit avec les réglementations applicables en matière d'émissions. Il en va de même en cas de manipulations ou détériorations du système d'alimentation en carburant (par exemple alimentation, régulation, préparation).



ATTENTION

Valeurs d'émissions de gaz d'échappement divergentes Toute manipulation du moteur et/ou du système d'alimentation en carburant annule le certificat d'émission UE.

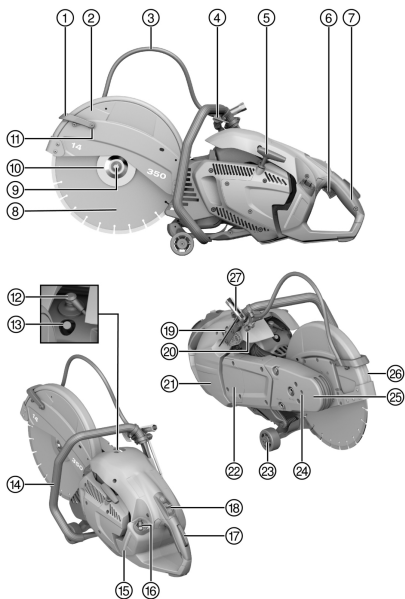
- ▶ Des manipulations du moteur et/ou du système d'alimentation en carburant ne sont pas autorisées.

Les valeurs déterminées pour les émissions de CO₂ lors de l'homologation UE sont indiquées dans le chapitre Caractéristiques techniques 34.



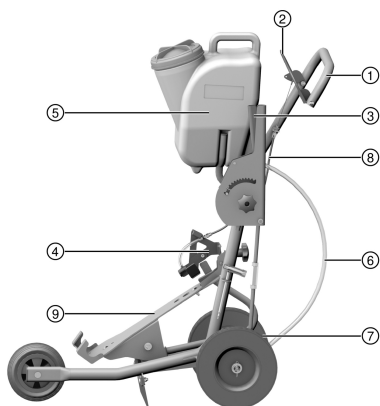
3 Description

3.1 Tronçonneuse thermique 1



- ① Coupe à eau avec buses à eau intégrées
- ② Carter de protection
- ③ Alimentation en eau
- ④ Valve de réglage du débit d'eau
- ⑤ Démarreur à câble
- ⑥ Manette de commande des gaz
- ⑦ Poignée arrière
- ⑧ Disque à tronçonner
- ⑨ Vis de serrage
- ⑩ Flasque de serrage
- ⑪ Bouchon de nettoyage à vis pour buse à eau
- ⑫ Cosse de bougie
- ⑬ Soupape de décompression
- ⑭ Poignée avant
- ⑮ Jauge du réservoir
- ⑯ Bouchon de réservoir à carburant
- ⑰ Poignée d'accélération contrôlée
- ⑱ Interrupteur marche/arrêt du moteur avec bouton d'admission réduite
- ⑲ Pompe de démarreur
- ⑳ Raccord d'eau
- ㉑ Couverture de filtre à air
- ㉒ Couverture de pompe
- ㉓ Galets de guidage
- ㉔ Orifice de blocage pour changement de disques à tronçonner
- ㉕ Bras de tronçonneuse
- ㉖ Flèche indiquant le sens de rotation
- ㉗ Outil de montage

3.2 Chariot de guidage (accessoire) 2



- ① Poignée
- ② Manette de commande des gaz
- ③ Réglage de la profondeur de coupe
- ④ Dispositif de retenue
- ⑤ Réservoir d'eau
- ⑥ Raccord d'eau
- ⑦ Réglage des axes
- ⑧ Câble d'accélération
- ⑨ Support-machine



3.3 Utilisation conforme à l'usage prévu

Le produit décrit est une tronçonneuse motorisée, destinée à tronçonner avec des disques diamantés ou abrasifs, à sec ou à l'eau, des matériaux de construction asphaltiques, minéraux ou métalliques. Elle peut être guidée à la main ou montée sur un chariot.

3.4 Recommandations d'utilisation

- Travailler de préférence avec de l'eau pour réduire la quantité des poussières dégagées par le tronçonnage. Avec la pompe à eau auto-aspirante (accessoire), il est possible de travailler indépendamment du réseau d'eau, en aspirant p. ex. directement à partir d'un récipient.
- Ne pas tronçonner la pièce travaillée en une seule passe, mais plutôt déplacer la tronçonneuse en exerçant plusieurs mouvements de va-et-vient et avancer progressivement jusqu'à la profondeur souhaitée.
- Lorsque le tronçonnage est réalisé à sec, sortir le disque à tronçonner de la coupe toutes les 30 à 60 secondes pendant environ 10 secondes en cours de fonctionnement du produit, pour éviter d'endommager le disque à tronçonner diamant.
- Lorsqu'un disque diamant s'est émoussé (le liant n'est plus hérissé d'angles diamantés), il peut retrouver son tranchant en travaillant une matière très abrasive comme du grès ou analogue.
- Pour des coupes fréquentes sur le sol, monter la tronçonneuse sur le chariot de guidage (accessoire).

3.5 Spécifications des disques à tronçonner

AVERTISSEMENT

Risque de blessures. L'utilisation de disques à tronçonner qui ne sont pas conformes à la norme ANSI peut augmenter le risque de blessures pour l'utilisateur.

- ▶ N'utiliser aucun disque à tronçonner non conforme à la norme ANSI en vigueur pour les disques à tronçonner.

Pour ce produit, il convient d'utiliser des disques à tronçonner diamantés conformes aux recommandations de la norme ANSI B7.1. Pour ce produit, il est également possible d'utiliser des disques à tronçonner renforcés aux fibres et liés à la résine conformes aux recommandations de la norme ANSI B7.1 (droits et non couvés, de type cutting-off wheel) pour travailler sur des matériaux métalliques.

Respecter également les instructions d'utilisation et de montage du fabricant de disques à tronçonner.

3.6 Éléments livrés

Tronçonneuse à essence, mode d'emploi.

D'autres produits système pour votre produit peuvent être trouvés dans votre **Hilti Store** ou à l'adresse : www.hilti.group

3.7 Consommables et pièces d'usure

- Filtre à air
- Câble
- Démarreur
- Filtre à essence
- Bougie d'allumage
- Jeu d'outils
- Jeu de cylindres
- Vis de fixation (jeu complet)
- Flasque (2 pièces)
- Douille de centrage 20 mm/1"

4 Caractéristiques techniques

4.1 Propriétés du produit

	DSH 700-X 14"	DSH 900-X 16"
Génération de produit	04	04
Poids sans disque à tronçonner, réservoir vide	12,1 kg (26,7 lb)	12,4 kg (27,3 lb)



	DSH 700-X 14"	DSH 900-X 16"
Poids avec chariot de guidage, sans disque à tronçonner, réservoir vide	43,1 kg (95,0 lb)	43,4 kg (95,7 lb)
Vitesse maximale de l'arbre	5.100 tr/min (85,0 Hz)	4.700 tr/min (78,3 Hz)
Vitesse maximale des disques à tronçonner	5.100 tr/min (85,0 Hz)	4.700 tr/min (78,3 Hz)
Profondeur de coupe maximale	125 mm (4,9 in)	150 mm (5,9 in)
Type de moteur	Moteur à deux temps/ mono-cylindre/ refroidi à l'air	Moteur à deux temps/ mono-cylindre/ refroidi à l'air
Cylindrée	87 cm ³ (5,3 in ³)	87 cm ³ (5,3 in ³)
Puissance nominale (ISO 7293)	4,2 kW (5,6 hp)	4,2 kW (5,6 hp)
Vitesse de rotation nominale du moteur (ISO 7293)	8000 ± 200 tr/min	8000 ± 200 tr/min
Vitesse de rotation à vide	2750 ± 250 tr/min	2750 ± 250 tr/min
Allumage (type)	Moment d'allumage à contrôle électronique	Moment d'allumage à contrôle électronique
Écartement des électrodes	0,7 mm (0,03 in)	0,7 mm (0,03 in)
Bougie d'allumage	Fabricant : NGK, Type : CMR7A	Fabricant : NGK, Type : CMR7A
Couple de serrage de la bougie d'allumage	12 Nm (9 ftlb _i)	12 Nm (9 ftlb _i)
Carburateur	Fabricant : Walbro ; Mo- dèle : WT ; Type : 1152	Fabricant : Walbro ; Mo- dèle : WT ; Type : 1152
Mélange de carburants	Huile API-TC 2 % (1:50)	Huile API-TC 2 % (1:50)
Volume du réservoir	30,4 oz (900 cm ³)	30,4 oz (900 cm ³)
Trou central du disque à tronçonner/diamètre du support de centrage de la douille de centrage (rotative)	20 mm ou 25,4 mm (0,8 in ou 1,00 in)	20 mm ou 25,4 mm (0,8 in ou 1,00 in)
Diamètre min. extérieur du flasque	102 mm (4,0 in)	102 mm (4,0 in)
Épaisseur de disque maximale (épaisseur de la lame)	5,5 mm (0,22 in)	5,5 mm (0,22 in)
Diamètre extérieur maximal de disque	350 mm (13,8 in)	400 mm (15,7 in)
Couple de serrage du disque à tronçonner	25 Nm (18 ftlb _i)	25 Nm (18 ftlb _i)

4.2 Valeurs d'émissions des gaz d'échappement



Les valeurs obtenues ont été déterminées en laboratoire et résultent de l'essai d'un moteur représentatif du type de moteur sur un cycle d'essai fixe.

Valeurs d'émissions de CO₂ en [g/kWh]	840,1
---	-------



5 Préparatifs

5.1 Carburant

Le moteur à deux temps fonctionne avec un mélange d'essence et d'huile. La qualité du mélange de carburant influe considérablement sur le fonctionnement et la durée de vie du moteur.



AVERTISSEMENT

Risque de blessures. Il y a risque pour la santé en respirant les vapeurs d'essence et au contact avec l'essence.

- ▶ Éviter le contact direct de l'essence avec la peau. Porter des gants de protection.
- ▶ Si des vêtements sont souillés avec de l'essence, il faut impérativement en changer.
- ▶ Veiller à une bonne ventilation du poste de travail, pour éviter de respirer les vapeurs d'essence.
- ▶ Utiliser un récipient à carburant conforme aux prescriptions.

5.1.1 Critères de sélection pour le carburant

- ▶ Utiliser de l'essence normale ou super avec un indice d'octane d'au moins 89 ROZ.



La teneur en alcool (par ex. éthanol, méthanol et autres) du carburant utilisé ne doit pas dépasser 10 %, sans quoi il y a risque de raccourcir considérablement la durée de vie du moteur.

5.1.2 Huile pour moteur à deux temps

- ▶ Utiliser une huile deux temps de qualité pour moteurs refroidis à l'air satisfaisant au moins à la spécification API-TC.

5.1.3 Mélange du carburant



Toujours veiller à ce que la spécification de l'huile deux temps soit adaptée et toujours utiliser un mélange carburant/huile deux temps dans des proportions optimales. Cela permet d'éviter une usure excessive et des dommages au moteur.

Le rapport de mélange optimal est de **1:50**. Cela correspond à 1 volume d'huile deux temps avec la spécification API-TC et 50 volumes d'essence (par exemple, 100 ml d'huile deux temps et 5 litres d'essence dans un bidon).

Si la qualité de l'huile deux temps ou de l'essence est inconnue, augmenter le rapport de mélange à **1:25**.

1. Verser d'abord la quantité d'huile pour moteurs à deux temps requise dans le réservoir à carburant.
2. Verser ensuite l'essence dans le réservoir à carburant.
3. Fermer le réservoir à carburant.
4. Mélanger le carburant en secouant le réservoir à carburant.

5.1.4 Faire le plein de carburant

1. Si l'équipement suivant existe, procéder de plus à cette action :
 - ▶ Réaliser le mélange carburant/huile deux temps. 35
2. Déposer le produit debout dans une position stable.
3. Ouvrir le réservoir à carburant en tournant le couvercle dans le sens contraire des aiguilles d'une montre puis l'enlever.
4. Adapter un entonnoir sur l'orifice et verser lentement le carburant dans le réservoir.
5. Fermer le réservoir à carburant en mettant le couvercle en place et en le tournant dans le sens des aiguilles d'une montre.
6. Fermer le réservoir à carburant.



5.2 Travaux de montage et de réglage

AVERTISSEMENT

Risque de blessures. Il y a risque de se blesser en touchant le disque à tronçonner en rotation. Il y a risque de se brûler au contact avec des composants de la machine ou du disque à tronçonner très chauds.

- ▶ Avant d'effectuer des montages ou des changements sur le produit, le moteur à l'arrêt, s'assurer que le disque à tronçonner est complètement à l'arrêt et que le produit est refroidi.
- ▶ Porter des gants de protection.

5.2.1 Montage du disque à tronçonner

AVERTISSEMENT

Risque de blessures et d'endommagement. En cours de fonctionnement, les disques à tronçonner incompatibles ou le matériel de fixation peuvent être détruits ou provoquer une perte de contrôle du produit, voire même à la cassure de l'outil amovible.

- ▶ Veiller à ce que la vitesse de rotation admissible du disque à tronçonner soit au moins aussi élevée que la vitesse de rotation maximale de la broche indiquée sur le produit. Les disques à tronçonner, flasques et vis doivent correspondre au produit.
- ▶ N'utiliser que des disques à tronçonner dont le trou central présente un diamètre de 20 mm ou 25,4 mm (1") et s'adaptant à la douille de centrage.

AVERTISSEMENT

Risque de blessures et d'endommagement. Les disques à tronçonner endommagés risquent de se casser.

- ▶ Sitôt qu'un disque à tronçonner a reçu un coup, vérifier que le disque à tronçonner n'est pas endommagé et le remplacer le cas échéant.
- ▶ Ne jamais utiliser de disques à tronçonner endommagés, ovalisés ou vibrants.

AVERTISSEMENT

Risque de blessures et d'endommagement. Des vis de fixation trop serrées peuvent endommager ou casser la vis de fixation elle-même ou la rondelle montée sur la vis de fixation.

- ▶ Toujours serrer la vis de fixation au couple indiqué.
- ▶ Veiller à ne pas trop serrer la vis de fixation.

AVERTISSEMENT

Risque de blessures ! Si le disque à tronçonner n'est pas monté ou démonté correctement, des pièces détachées peuvent être projetées dans les yeux et provoquer des blessures.

- ▶ Toujours porter des lunettes de protection lors du changement de l'outil amovible.

1. Introduire la cheville d'arrêt dans l'orifice du carter de la courroie de transmission et tourner le disque jusqu'à ce que la cheville d'arrêt s'enclenche.
2. Desserrer la vis de fixation à l'aide de la clé dans le sens inverse des aiguilles d'une montre et enlever la vis de fixation avec le disque.
3. Retirer la cheville d'arrêt.
4. Enlever le flasque de serrage et le disque à tronçonner.
5. Vérifier que l'orifice du disque à monter coïncide avec le support de centrage du flasque support de disque.



Le flasque est doté sur une face d'un support de centrage d'un diamètre de 20 mm et sur l'autre face d'un support de centrage d'un diamètre de 25,4 mm (1").

6. Nettoyer les surfaces de serrage et de centrage sur le produit ainsi que sur le disque à tronçonner.
7. Placer le disque à tronçonner avec la nervure de centrage sur l'axe d'entraînement et vérifier que le sens de rotation est correct.
 - ▶ La flèche indiquant le sens de rotation sur le disque à tronçonner doit correspondre au sens de rotation indiqué sur le produit.
8. Placer le flasque de serrage et le disque sur l'axe d'entraînement et serrer à fond la vis de fixation dans le sens des aiguilles d'une montre.
9. Introduire la cheville d'arrêt dans l'orifice de blocage de la courroie de transmission et tourner le disque jusqu'à ce que la cheville d'arrêt s'enclenche.
10. Serrer la vis de fixation (couple de serrage : 25 Nm).
11. Retirer la cheville d'arrêt.



⚠ ATTENTION

Risque de blessures et d'endommagement. Les outils amovibles peuvent se casser.

- ▶ Ne jamais utiliser d'outils amovibles endommagés, voilés ou vibrants.
- ▶ Se tenir en dehors de la zone dangereuse.

12. Après avoir monté un nouveau disque à tronçonner, il faut faire tourner le produit à sa vitesse maximale et sans rien découper pendant 1 minute environ.

5.2.2 Mise en place du carter de protection

⚠ AVERTISSEMENT

Risque de blessures. Tout contact avec le disque à tronçonner, des particules volantes ou des étincelles peut blesser des personnes.

- ▶ Ajuster le carter de protection de sorte que le sens de projection des particules et étincelles entraînées par l'action abrasive du disque s'éloigne de l'opérateur et du produit.
- ▶ Tourner le carter de protection dans la position souhaitée.
 - ▶ Veiller à ce que l'orifice du protège-lame ne pointe pas en direction de l'utilisateur.



Le coude à eau ne doit pas être utilisé en tant que poignée.

5.2.3 Passage de la coupe normale à la coupe à fleur



Si'il est nécessaire de réaliser des coupes très rapprochées sur un mur ou près d'un angle, la partie avant du bras de sciage peut être tournée.

- ▶ Pour utiliser le produit dans la position coupe à fleur, faire transformer le produit par le S.A.V. **Hilti**.

5.3 Blocage du mouvement de rotation des roulettes de guidage 4

⚠ AVERTISSEMENT

Risque de blessures. La tronçonneuse peut se mettre involontairement en mouvement ou tomber.

- ▶ En cas d'intervention sur des toits, des échafaudages et/ou sur des surfaces en pente, toujours bloquer le mouvement de rotation des galets de guidage.

1. Desserrer les vis de fixation des roulettes de guidage et enlever les roulettes.
2. Tourner les roulettes de 180° et remettre en place les vis de fixation.
 - ▶ La fonction de blocage intégrée est activée.
3. Vérifier que les roulettes de guidage sont bien fixées.

5.4 Montage de la tronçonneuse à essence sur le chariot de guidage (accessoire) 5

1. Enlever le réservoir d'eau du chariot de guidage.
2. Amener le levier de réglage de la profondeur de coupe dans la position supérieure.
3. Desserrer le dispositif de retenue en desserrant la molette.
4. Ajuster la tronçonneuse avec les roues comme illustré dans le support avant prévu pour l'appareil et basculer la poignée de la tronçonneuse sous le dispositif de retenue.
5. Fixer la tronçonneuse en tournant la molette.
6. Installer le réservoir d'eau rempli.
7. Placer la poignée à une hauteur commode pour le travail.
8. Mettre le carter de protection bien en place. 37



Lors de la première mise en marche, vérifier le réglage correct du câble d'accélération. Lorsque le levier d'accélération est enfoncé, le produit doit atteindre son régime maximal. Si ce n'est pas le cas, il suffit d'ajuster la tension en tournant les tendeurs du câble d'accélération.

Si le câble d'accélération n'est pas actionné, la disque à tronçonner doit s'arrêter en marche à vide. Si ce n'est pas le cas, mettre immédiatement l'interrupteur Marche / Arrêt en position "Arrêt", vérifier le réglage du câble d'accélération ou faire régler la vitesse de rotation à vide par le S.A.V. **Hilti**.



5.5 Montage de la pompe à eau (accessoire) 6

1. Mettre le produit sur arrêt.
2. Desserrer les trois vis de fixation du couvercle de pompe, les enlever et les garder avec le couvercle de pompe.



Si le produit est utilisé sans pompe à eau, le couvercle de pompe doit être monté.

3. Mettre en place la pompe à eau et orienter en tournant légèrement le disque à tronçonner, les engrenages de la pompe à eau et la cloche de couplage afin que les dents soient en prise.
 - ▶ La position est codée de sorte à éviter tout montage erroné.
4. Monter les trois vis de fixation et les serrer avec le couple de serrage indiqué (couple de serrage : 8 Nm).
5. Raccorder le flexible de la pompe au raccord de la tronçonneuse.
6. Enlever la protection anti-poussière de l'extrémité du tuyau de raccordement d'eau.
7. S'assurer que la pression d'eau dans la conduite d'eau ne dépasse pas 6 bar.
 - ▶ Si la conduite d'eau fait plus de 6 bar, réduire la pression d'eau.
8. Raccorder la pompe à eau à la conduite d'eau ou suspendre le flexible d'aspiration p. ex. dans un récipient avec de l'eau.



Si la pompe à eau n'est pas raccordée à une arrivée d'eau, monter la protection anti-poussière sur l'extrémité du tuyau de raccordement d'eau.

5.6 Démontage de la pompe à eau (accessoire)

1. Mettre le produit sur arrêt.
2. Débrancher l'alimentation en eau de la pompe à eau.
3. Mettre la protection anti-poussière en place sur l'extrémité du tuyau de raccordement d'eau.
4. Débrancher le raccordement entre la pompe et le produit.
5. Desserrer les trois vis de fixation sur la pompe et démonter la pompe.
6. Replacer le couvercle de pompe sur le produit, monter les trois vis de fixation et les serrer à fond (couple de serrage : 4 Nm).

5.7 Démarrage du moteur 7**DANGER**

Risque d'étouffement. Le monoxyde de carbone, les hydrocarbures imbrûlés et le benzène dans les gaz d'échappement peuvent provoquer une asphyxie.

- ▶ Ne jamais travailler dans des locaux, tranchées ou excavations fermés et veiller à une bonne ventilation.

**AVERTISSEMENT**

Risque de blessures dues à un comportement inattendu du produit ! Prêter attention à tout comportement atypique du produit. En cas d'observation de l'un des phénomènes suivants avant la mise en service ou pendant le service, interrompre immédiatement tous les travaux et arrêter le produit, par ex. en poussant le commutateur Marche/Arrêt en position **Stop**, en appuyant sur le bouton de la pompe (pompe de démarreur) ou en tirant sur le connecteur de bougie d'allumage. Contacter le S.A.V. **Hilti**.

- ▶ Modification ou augmentation de la vitesse de rotation ou accélération involontaire du moteur ou du disque à tronçonner.
- ▶ Le variateur de vitesse, la manette de commande des gaz ou d'autres éléments de commande sont bloqués, réagissent avec retard ou reviennent très lentement en position initiale.
- ▶ Le disque à tronçonner freine beaucoup plus lentement que prévu ou ne freine pas du tout.

**AVERTISSEMENT**

Risque de brûlures. Lorsque le moteur tourne, le système d'échappement devient extrêmement chaud. Même après l'arrêt du moteur, il reste encore longtemps chaud.

- ▶ Porter des gants de protection et éviter de toucher l'échappement.
- ▶ Ne jamais déposer le produit brûlant sur un matériau inflammable.



⚠ AVERTISSEMENT

Risque de blessures. Un échappement endommagé augmente le volume sonore au-delà de la limite admissible et augmente le risque de souffrir de troubles auditifs.

- ▶ Ne jamais utiliser le produit si l'échappement est endommagé et/ou s'il a été modifié ou s'il est manquant.

⚠ AVERTISSEMENT

Risque de blessure en cas d'utilisation sans cache monté de la pompe à eau Tout contact avec le raccord de la pompe à eau en cours de fonctionnement entraîne des blessures.

- ▶ Avant de commencer à travailler, s'assurer que le cache de la pompe à eau est correctement monté.

⚠ AVERTISSEMENT

Risque de blessures dues à des substances et des gaz inflammables. Des brûlures et la mort peuvent en résulter.

- ▶ Ne pas utiliser le produit en présence de substances et de gaz inflammables.
- ▶ Veiller à une bonne ventilation.

⚠ ATTENTION

Risque de blessures entraînées par coincement des doigts ou risque de brûlures si la pompe à eau est montée. Ne pas toucher le carter de pompe pour écarter tout risque de brûlures.

- ▶ Saisir la poignée avant uniquement sur le bord supérieur et le côté gauche.

1. Appuyer une fois sur la soupape de décompression.
2. Uniquement pour le démarrage à froid, actionner 2 à 3 fois la pompe de démarreur jusqu'à ce que le bouton de pompe soit complètement rempli de carburant.
3. Appuyer sur la poignée d'accélération contrôlée et la maintenir enfoncée.
4. Appuyer sur le levier d'accélération contrôlée et le maintenir enfoncé.
5. Pousser l'interrupteur Marche / Arrêt sur la position "Marche".
6. Relâcher la main de la poignée d'accélération contrôlée et du levier d'accélération.
 - ▶ La position d'admission réduite est activée.
7. Vérifier que le disque à tronçonner tourne librement et sans entrave.
8. Placer le pied droit dans la partie inférieure de la poignée arrière.
9. De la main droite, tirer lentement le démarreur à câble jusqu'à ce qu'il résiste.
10. Tirer ensuite sur le démarreur à câble avec force.
11. Répéter cette opération jusqu'à ce que le moteur démarre.
12. Dès que le moteur tourne, appuyer brièvement sur le levier d'accélération.
 - ▶ Ceci désactive l'admission réduite et le moteur tourne à vide.

5.8 Contrôles après démarrage du moteur

1. Vérifier si le disque à tronçonner reste immobile en marche à vide et si, après quelques instants de plein gaz, le disque à tronçonner s'immobilise complètement en marche à vide.
 - ▶ Si le disque à tronçonner tourne en marche à vide, réduire la vitesse de rotation à vide. Si ce n'est pas possible, confier le produit au S.A.V. **Hilti**.
2. Contrôler le bon fonctionnement de l'interrupteur Marche / Arrêt. Mettre l'interrupteur Marche / Arrêt en position "Arrêt".
3. Si le moteur ne s'éteint pas, appuyer sur le bouton de pompe (pompe de démarreur). Si cela n'aide pas, retirer la cosse de bougie d'allumage et confier le produit au S.A.V. **Hilti**.

5.9 Arrêt du moteur

⚠ AVERTISSEMENT

Risque de blessures. Un disque à tronçonner en rotation peut rompre et/ou projeter violemment et de manière incontrôlée du matériel.

- ▶ Attendre que le disque à tronçonner soit complètement immobile avant de déposer la tronçonneuse.

1. Relâcher la manette de commande des gaz.



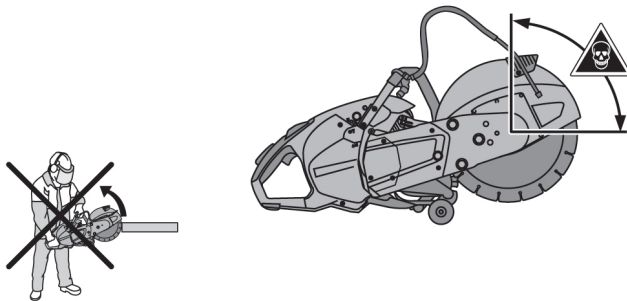
2. Mettre l'interrupteur Marche / Arrêt en position "Arrêt".
 - ▶ Le moteur s'arrête.

6 Utilisation

6.1 Technique de tronçonnage

Évitement des rebonds

En cas de pénétration de la tronçonneuse dans la zone spécifiée, il y a un risque de contrecoup.

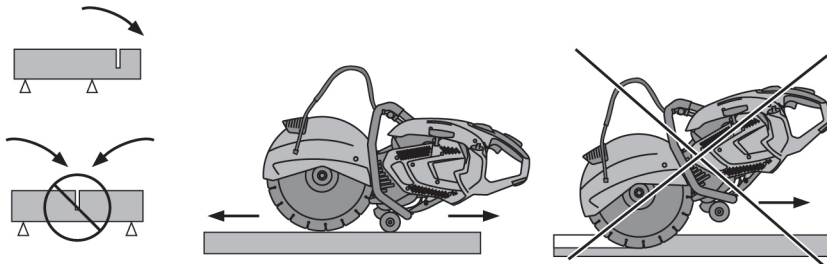


- ▶ Éviter toute pénétration du disque à tronçonner dans le support au niveau de la zone spécifiée.
- ▶ Pour travailler sur une pièce, toujours approcher le disque à tronçonner du haut vers le bas. Le contact du disque avec la pièce travaillée ne doit se faire qu'en un seul point sous l'axe de rotation.
- ▶ Faire extrêmement attention en glissant le disque dans un trait de coupe existant.

Évitement de tout blocage

Lors de coupes en direction du sol, en cas de disque à tronçonner coincé, le produit peut sauter de manière incontrôlée vers l'avant.

En cas de coupes verticales, p. ex. dans un mur, le produit peut sauter de manière incontrôlée vers le haut en cas de disque à tronçonner coincé.



ATTENTION

Risque de rupture ou danger engendré par contrecoup. En cas de surcharge du disque à tronçonner, il y a tendance au voilage. Le coincement du disque à tronçonner lors de la coupe augmente la probabilité de contrecoup ou de rupture du disque à tronçonner.

- ▶ Veiller à ce que le disque à tronçonner ne se coince pas et éviter d'exercer une pression excessive lors de la coupe.
 - ▶ Ne pas essayer d'atteindre d'emblée une profondeur de coupe excessive.
-
- ▶ Dans la mesure du possible, tronçonner les pièces travaillées épaisses en plusieurs coupes. Éviter des profondeurs de découpe trop importantes.



- ▶ Avant d'entailler, amener la tronçonneuse à plein régime.
- ▶ Mettre le disque à tronçonner en contact avec la pièce à travailler à angle droit et en dessous de l'axe de rotation.
- ▶ Introduire lentement le disque à tronçonner dans la pièce à travailler en effectuant un mouvement de va-et-vient et sans exercer de pression excessive.
- ▶ Avancer modérément l'outil, de manière adaptée au matériau à travailler.

i Une baisse des performances de travail peut provenir de l'usure des segments diamantés. Ceux-ci peuvent à nouveau être affûtés en opérant des coupes dans un matériel abrasif (surface d'affûtage Hilti ou un grès argilo-calcaire abrasif).

- ▶ Guider la tronçonneuse de manière uniforme et sans exercer de pression latérale sur le disque à tronçonner.
- ▶ Toujours tenir la tronçonneuse des deux mains par les poignées prévues à cet effet. Veiller à ce que les poignées soient toujours sèches, propres et exemptes de traces de graisse et d'huile.
- ▶ S'assurer qu'aucune personne ne se tient dans l'espace de travail et en particulier dans la zone qui constitue le prolongement du trait de coupe. Veiller à ce que toute tierce personne se tienne à une distance d'au moins 15 m environ de l'espace de travail.

Mettre la pièce à travailler en place



- ▶ Caler les plaques ou les grandes pièces à travailler de sorte que l'entaille produite reste ouverte pendant et après l'opération de tronçonnage.

7 Nettoyage et entretien

AVERTISSEMENT

Risque de blessures. Risque de blessures et de brûlures au contact avec le disque à tronçonner en rotation ou de composants de la machine très chauds.

- ▶ Toujours arrêter le moteur avant toute opération de maintenance, réparation, nettoyage ou entretien et attendre que le produit ait refroidi.

7.1 Tableau d'entretien

	Avant de commencer le travail	Deux fois par an	Si besoin
Vérifier que l'appareil est en parfait état, qu'il est complet et qu'il ne présente pas de fuite, réparer si nécessaire.	✓		
Vérifier l'absence de salissures, les nettoyer au besoin.	✓		
Contrôler le bon fonctionnement des éléments de commande, réparer si nécessaire.	✓		
Vérifier que les disques à tronçonner sont en parfait état, remplacer au besoin.	✓		
Resserrer les écrous et vis accessibles de l'extérieur.	✓	✓	✓
Vérifier que le filtre carburant n'est pas encrassé et remplacer au besoin.		✓	✓
Remplacer le filtre à air, si le produit ne se met pas en marche ou que la puissance du moteur diminue de manière sensible.			✓



	Avant de commencer le travail	Deux fois par an	Si besoin
Nettoyer les bougies d'allumage ou les remplacer, si le produit ne se met pas en marche ou démarre seulement difficilement.			✓
Réajuster la vitesse de rotation à vide, si le disque à tronçonner ne s'immobilise pas en marche à vide.			✓
Si la courroie dérape lors de la mise en charge du disque à tronçonner, faire réparer le produit par le S.A.V. Hilti.			✓

7.2 Nettoyage ou remplacement du filtre à air

ATTENTION

Risque d'endommagement. Toute infiltration de poussière risque d'endommager le produit.

- ▶ Ne jamais travailler avec un filtre à air endommagé.
- ▶ Lors du remplacement du filtre à air, le produit doit être debout et ne pas reposer sur le côté. Veiller à ce qu'aucune poussière ne parvienne sur l'élément filtrant se trouvant sous le filtre à air.



Remplacer le filtre à air en cas de nette diminution de la puissance du moteur et un comportement plus difficile au démarrage.

1. Desserrer les vis de fixation du couvercle du filtre à air et enlever celui-ci.
2. Dégager soigneusement le filtre à air de toute poussière adhérente et enlever la poussière de la chambre de filtration (à l'aide d'un aspirateur).
3. Desserrer les quatre vis de fixation du support de filtre et retirer le filtre à air.
4. Mettre en place un nouveau filtre à air et le fixer avec le support de filtre.
5. Replacer le couvercle du filtre à air et resserrer les vis de fixation.

7.3 Remplacement du câble de démarrage sectionné

ATTENTION

Risque d'endommagement. Un câble de démarrage trop court risque d'endommager le carter.

- ▶ Ne jamais poursuivre l'utilisation avec un câble de démarrage déchiré et le remplacer aussitôt.

1. Desserrer les trois vis de fixation et enlever le bloc démarreur.
2. Sur la bobine d'enroulement de câble et la poignée de démarrage, enlever les restes de câble.
3. Faire un nœud serré à l'extrémité du nouveau câble de démarrage et introduire l'extrémité libre du câble par le haut dans la bobine d'enroulement.
4. Introduire l'extrémité libre du câble par le bas dans l'orifice du boîtier de démarrage puis dans la base de la poignée de démarrage et faire un nœud bien serré également à l'extrémité du câble.
5. Comme le montre la figure, sortir le câble de démarrage du boîtier et l'introduire dans la fente de la bobine d'enroulement de câble.
6. Bien tenir l'extrémité du câble au-dessus de la fente de la bobine et faire tourner la bobine sur elle-même dans le sens des aiguilles d'une montre jusqu'en butée.
7. Tourner la bobine d'enroulement à partir du point de butée d'au moins ½ à 1 ½ tour maximum en arrière jusqu'à ce que la fente de la bobine coïncide avec l'orifice dans le boîtier de démarrage.
8. Tenir fermement la bobine d'enroulement et tirer l'extrémité libre du câble en direction de la poignée de démarrage pour réduire sa longueur dans le boîtier.
9. Tendre le câble et lâcher la bobine afin que le câble de démarrage puisse s'enrouler tout seul.
10. Tirer sur le câble de démarrage jusqu'en butée pour qu'il sorte et vérifier à l'aide de la main que la bobine peut encore exécuter au moins une ½ rotation dans le sens des aiguilles d'une montre. Si tel n'est pas le cas, il convient d'appliquer un peu moins de tension au ressort en tournant d'un tour dans le sens inverse des aiguilles d'une montre.
11. Mettre le bloc démarreur en appliquant prudemment une légère pression vers le bas. En tirant sur le câble de démarrage, l'embrayage s'enclenche et le bloc démarreur se met en place complètement.
12. Fixer le bloc démarreur avec les trois vis de fixation.



7.4 Remplacement du filtre carburant **10**

AVERTISSEMENT

Risque de blessures. Il y a risque pour la santé en respirant les vapeurs d'essence et au contact avec l'essence.

- ▶ Éviter le contact direct de l'essence avec la peau. Porter des gants de protection.
- ▶ Si des vêtements sont souillés avec de l'essence, il faut impérativement en changer.
- ▶ Veiller à une bonne ventilation du poste de travail, pour éviter de respirer les vapeurs d'essence.
- ▶ Utiliser un récipient à carburant conforme aux prescriptions.



En faisant le plein de carburant, veiller à ce qu'aucune saleté n'entre dans le réservoir à carburant.

1. Ouvrir le réservoir à carburant.
2. Retirer le filtre carburant du réservoir à carburant.
3. Contrôler le filtre carburant.
 - ▶ Remplacer le filtre carburant s'il est trop souillé.
4. Pousser la pince sur le flexible en arrière et retirer le filtre carburant encrassé.
5. Mettre en place un nouveau filtre carburant et le fixer avec la pince sur le flexible.
6. Réintroduire le filtre dans le réservoir.
7. Fermer le réservoir à carburant.

7.5 Nettoyage de la bougie d'allumage, réglage de l'écartement des électrodes ou remplacement de la bougie d'allumage **11**

ATTENTION

Risque de blessures. Immédiatement après avoir utilisé le produit, la bougie d'allumage et les pièces du moteur peuvent être très chaudes.

- ▶ Laisser le produit refroidir avant de procéder à des travaux d'entretien et de maintenance.

1. Retirer la cosse de bougie en exerçant un léger mouvement de rotation.
2. Utiliser la clé à bougie pour dévisser la bougie hors du cylindre.
3. Si nécessaire, nettoyer l'électrode à l'aide d'une brosse métallique à poils souples.
4. Contrôler l'écart entre les électrodes et, si nécessaire, le régler à l'aide d'une jauge d'épaisseur sur la distance requise de 0,7 mm.
5. Enficher la bougie dans la cosse et tenir le filetage de la bougie contre le cylindre.
6. Pousser l'interrupteur Marche / Arrêt sur la position "Marche".

AVERTISSEMENT

Risque de blessures. Il y a risque de choc électrique au contact des électrodes.

- ▶ Ne pas toucher les contacts de l'électrode de la bougie d'allumage.
7. Tirer sur le démarreur à câble (appuyer sur la soupape de décompression).
 - ▶ Une étincelle d'allumage doit alors être nettement visible.
 8. Utiliser une clé à bougie pour visser la bougie dans le cylindre (couple de serrage : 12 Nm).
 9. Coiffer la bougie d'allumage de sa cosse.

7.6 Réglage du carburateur **12**

Le carburateur de ce produit a été réglé de manière optimale avant sa livraison. Sur ce carburateur, la vitesse à vide (gicleur T) peut être réglée par l'utilisateur. Tous les autres travaux de réglage doivent être effectués par le S.A.V. **Hilti**.




Toute manipulation incorrecte du dispositif de réglage du carburateur risque d'endommager le moteur.

- ▶ Nettoyer le filtre à air. 42
- ▶ Amener le produit à la température de service.



- ▶ Utiliser un tournevis à fente approprié (taille 4 mm/ ⁵/₃₂") et tourner la vis de réglage en douceur sur la plage de réglage admissible.
- ▶ Régler le cicleur de ralenti (T) de sorte que le produit tourne régulièrement à vide et que le disque à tronçonner soit complètement à l'arrêt.

7.7 Entretien de l'appareil

 Pour une utilisation en toute sécurité, utiliser uniquement des pièces de rechange et consommables d'origine. Vous trouverez les pièces de rechange, consommables et accessoires autorisés par **Hilti** convenant pour votre produit dans le centre **Hilti Store** ou sous : www.hilti.group

- ▶ Tenir le produit, en particulier les surfaces de préhension, sec, propre et exempt d'huile et de graisse.
- ▶ Ne pas utiliser de nettoyants à base de silicone.
- ▶ Nettoyer régulièrement l'extérieur de l'appareil avec un chiffon légèrement humide ou avec une brosse sèche. Pour le nettoyage, ne pas utiliser d'appareil diffuseur, d'appareil à jet de vapeur ou d'eau courante.
- ▶ Éviter toute pénétration de corps étrangers à l'intérieur du produit.

7.8 Entretien

1. Vérifier régulièrement toutes les pièces extérieures du produit et des accessoires pour voir si elles ne sont pas abîmées et s'assurer que tous les organes de commande fonctionnent correctement.
2. Ne pas utiliser le produit si des pièces sont abîmées ou si des organes de commande ne fonctionnent pas parfaitement. Faire réparer le produit par le S.A.V. **Hilti**.

7.9 Contrôle après des travaux de nettoyage et d'entretien

- ▶ Après des travaux de nettoyage et d'entretien, vérifier si tous les équipements de protection sont bien en place et fonctionnent parfaitement.

7.10 Nettoyage des buses à eau

1. Desserrer le bouchon de nettoyage à vis sur le coude à eau.
2. Nettoyer les buses à eau avec un fil.
3. Mettre en place le bouchon de nettoyage à vis.

8 Transport et stockage

8.1 Transport dans un véhicule

AVERTISSEMENT

Danger d'incendie et d'explosion. Si le produit bascule lors du transport, du carburant risque de s'écouler du réservoir.

- ▶ Vider le réservoir à carburant du produit avant de l'emballer et de l'envoyer par service de messagerie express.
- ▶ Transporter le produit dans la mesure du possible dans son emballage d'origine.

AVERTISSEMENT

Risque d'incendie. Les composants de la machine très chauds risquent d'enflammer le matériel environnant.

- ▶ Laisser le produit complètement refroidir avant de l'emballer ou de le charger dans un véhicule.

1. Démonter le disque à tronçonner.
2. Immobiliser fermement le produit pour empêcher son basculement, son endommagement ou encore une fuite de carburant.
3. Avant de transporter le chariot de guidage, vérifier impérativement que le réservoir d'eau est vide.



8.2 Entreposage du mélange de carburant

ATTENTION

Risque de blessures. La pression pouvant augmenter spontanément dans le récipient de carburant, il y a risque de projection de carburant à l'ouverture du récipient.

- ▶ Pour évacuer lentement la pression, toujours ouvrir la fermeture du réservoir de carburant avec précaution.
- ▶ Entrepoiser le carburant dans un local sec et bien ventilé.

1. Pour le mélange de carburant, préparer seulement une quantité correspondant à quelques jours de consommation.
2. Nettoyer de temps à autre le récipient de carburant.

9 Aide au dépannage

Défaillance	Causes possibles	Solution
Le disque à tronçonner ralentit lors de la coupe ou reste bloqué.	Pression de coupe trop élevée (disque à tronçonner coince dans la coupe) ou la pression est exercée par le côté sur le disque à tronçonner.	▶ Réduire la pression de coupe et guider le produit droit.
	Le disque est incorrectement monté ou non serré à fond.	▶ Vérifier son montage et le couple de serrage.
	Sens de rotation erroné.	▶ Monter le disque à tronçonner. 36
	Partie avant du bras de sciage non fixée.	▶ Faire réparer le produit par le S.A.V. Hilti .
Fortes vibrations, coupe déviée.	Le disque est incorrectement monté ou non serré à fond.	▶ Vérifier son montage et le couple de serrage.
	Disque endommagé (non conforme aux spécifications, fissures, segments manquants, disque voilé, surchauffé, déformé, etc.).	▶ Remplacer le disque à tronçonner.
	Support de centrage mal monté.	▶ Vérifier si la taille du trou central du disque à tronçonner coïncide avec l'embout de centrage de la douille de centrage.
La tronçonneuse ne démarre pas ou difficilement.	Réservoir à carburant vide (aucun carburant ne parvient au carburateur).	▶ Remplir le réservoir à carburant du produit. 35
	Filtre à air encrassé.	▶ Remplacer le filtre à air.
	Moteur noyé (bougie d'allumage humide).	▶ Sécher la bougie d'allumage et la chambre du cylindre (démonter la bougie).
	Mélange de carburants incorrect.	▶ Vider et rincer le réservoir ainsi que les conduites de carburant. ▶ Remplir le réservoir à carburant avec le carburant qui convient.
	Présence d'air dans la conduite de carburant (aucun carburant ne parvient au carburateur).	▶ Purger la conduite de carburant en actionnant plusieurs fois la pompe d'aspiration à carburant.
	Encrassement du filtre carburant (pas ou pas assez de carburant au niveau du carburateur).	▶ Nettoyer le réservoir à carburant et remplacer le filtre carburant.



Défaillance	Causes possibles	Solution
La tronçonneuse ne démarre pas ou difficilement.	Aucune ou seulement une faible étincelle produite par la bougie (sur bougie démontée).	<ul style="list-style-type: none"> ▶ Nettoyer les traces de calcination sur la bougie d'allumage. ▶ Contrôler l'écartement des électrodes et l'ajuster. ▶ Remplacer la bougie d'allumage. ▶ Vérifier la bobine d'allumage, le câble, les fiches de raccordement et les commutateurs, remplacer, le cas échéant, la pièce défectueuse.
	Compression trop faible.	▶ Vérifier la compression du moteur et, si nécessaire, remplacer les pièces usées (segments de piston, pistons, cylindre, etc.).
	Température ambiante trop basse.	▶ Attendre que la tronçonneuse atteigne la température ambiante et reprendre le processus de démarrage.
	Grille pare-étincelles ou sortie d'échappement encrassée.	▶ Nettoyer la grille pare-étincelles ou la sortie d'échappement.
	Soupape de décompression grippée.	▶ Dégager la soupape.
Puissance de moteur/de tronçonnage trop faible	Filtre à air encrassé.	▶ Remplacer le filtre à air.
	Aucune ou seulement une faible étincelle produite par la bougie (sur bougie démontée).	<ul style="list-style-type: none"> ▶ Nettoyer les traces de calcination sur la bougie d'allumage. ▶ Contrôler l'écartement des électrodes et l'ajuster. ▶ Remplacer la bougie d'allumage. ▶ Vérifier la bobine d'allumage, le câble, les fiches de raccordement et les commutateurs, remplacer, le cas échéant, la pièce défectueuse.
	Mélange de carburants incorrect.	<ul style="list-style-type: none"> ▶ Vider et rincer le réservoir ainsi que les conduites de carburant. ▶ Remplir le réservoir à carburant avec le carburant qui convient.
	Spécifications de disque à tronçonner non appropriées pour le matériau à tronçonner.	▶ Remplacer le disque à tronçonner ou demander conseil auprès du S.A.V. Hilti .
	La courroie de transmission ou le disque à tronçonner dérape.	<ul style="list-style-type: none"> ▶ Vérifier le serrage des disques. ▶ Faire réparer le produit par le S.A.V. Hilti.
	Compression trop faible.	▶ Vérifier la compression du moteur et, si nécessaire, remplacer les pièces usées (segments de piston, pistons, cylindre, etc.).
	Travaux réalisés à plus de 1500 m au-dessus du niveau de la mer.	▶ Faire régler le carburateur par le S.A.V. Hilti .
	Mélange non optimal (mélange carburant / air).	▶ Faire régler le carburateur par le S.A.V. Hilti .



Défaillance	Causes possibles	Solution
Le disque à tronçonner ne s'arrête pas en marche à vide.	Vitesse de rotation à vide trop élevée.	► Contrôler la vitesse de rotation à vide et, le cas échéant, la régler.
	Bloquer en position d'admission réduite.	► Débloquer la position d'admission réduite.
	Embrayage centrifuge défectueux.	► Remplacer l'embrayage centrifuge.
Le disque à tronçonner ne tourne pas.	Tension de courroie insuffisante ou rupture de la courroie.	► Faire réparer le produit par le S.A.V. Hilti .
Le bloc démarreur ne fonctionne pas.	Griffes d'accouplement pas en prise.	► Nettoyer les griffes d'accouplement de sorte qu'elles soient à nouveau mobiles.
	Câble de démarrage cassé.	► Remplacer le câble de démarrage.

10 Recyclage

Les produits **Hilti** sont fabriqués pour une grande partie en matériaux recyclables. Le recyclage présuppose un tri adéquat des matériaux. **Hilti** reprend les appareils usagés dans de nombreux pays en vue de leur recyclage. Consulter le service clients **Hilti** ou un conseiller commercial.

Boues de forage

En raison de la protection de l'environnement, les boues de forage ne doivent pas être versées dans les cours d'eau ou les canalisations sans prétraitement approprié.

- Veuillez vous renseigner auprès de votre administration locale sur les directives en vigueur en la matière.

Nous recommandons le prétraitement suivant :

- Collecter les boues de forage (par exemple au moyen d'un aspirateur de déchets liquides).
- Faire décanter les boues de forage et éliminer la partie sèche sur une décharge industrielle (le procédé peut être accéléré par des agents floculants).
- Avant de déverser l'eau résiduelle (basique, pH > 7) dans les canalisations, il convient de la neutraliser en ajoutant un neutralisant acide ou en la diluant avec beaucoup d'eau.

11 Informations complémentaires

Des informations complémentaires concernant l'utilisation, la technique, l'environnement et le recyclage sont disponibles sous le lien ci-dessous : qr.hilti.com/manual/?id=2364461

Ce lien figure également à la fin du mode d'emploi sous forme de code QR.

12 Garantie constructeur

- En cas de questions sur les conditions de garantie, veuillez vous adresser à votre partenaire **Hilti** local.

12.1 Déclaration fédérale de garantie de contrôle des émissions

Vos droits et obligations relatifs à la garantie

L'agence américaine pour la protection de l'environnement (U.S. Environmental Protection Agency, EPA), le Conseil californien des ressources atmosphériques (California Air Resources Board, CARB) et **Hilti** se font un plaisir de vous présenter la garantie relative au système de contrôle des émissions qui s'applique à votre petit moteur pour service hors-route. Aux États-Unis et au Canada, les petits moteurs pour service hors-route doivent être conçus, fabriqués et équipés de manière à répondre à des normes fédérales strictes en matière de pollution de l'air. Les composants du moteur ne doivent comporter aucun défaut matériel ni de fabrication qui se traduirait par le non-respect des normes américaines de l'EPA pour les deux premières années d'utilisation du moteur à compter de la date de vente au dernier acheteur s'en étant porté acquéreur.

Hilti est tenu de garantir le système de contrôle des émissions de votre petit moteur pour service hors-route pour les périodes de temps citées plus haut, dans la mesure où votre unité n'a pas subi d'abus dans l'emploi, de négligences ou d'erreurs dans la maintenance. Votre système de contrôle des émissions comprend les composants tels que le carburateur et le système d'allumage. Si une condition de prise en charge par la garantie existe, **Hilti** réparera gratuitement votre petit moteur pour service hors-route. Les dépenses couvertes par la garantie comprennent le diagnostic, les pièces et la main-d'œuvre.



Couverture de garantie fabricant

Tous les petits moteurs pour service hors-route de 2001 et des années qui suivent sont garantis conformes aux exigences EPA et CARB applicables pour deux ans. Si un composant (voir énumération plus haut) de votre moteur impliqué dans des émissions atmosphériques est défectueux, la société **Hilti** s'engage à le réparer ou à le remplacer.

Responsabilités du propriétaire en ce qui concerne la garantie

En tant que propriétaire d'un petit moteur pour service hors-route, vous êtes tenu de réaliser les opérations de maintenance telles qu'elles sont définies par **Hilti** dans le manuel d'utilisation correspondant. **Hilti** recommande que vous conserviez toutes les quittances relatives à la maintenance du petit moteur pour service hors-route, **Hilti** ne pouvant toutefois pas se soustraire à son obligation de garantie pour la seule raison que vous soyez dans l'impossibilité de produire les reçus ou en raison de votre manquement à réaliser toutes les opérations de maintenance prévues. Toute pièce de remplacement ou tout service d'une valeur équivalente en performance et en durabilité peut être mis en œuvre pour des opérations de maintenance ou de réparation non couvertes par la garantie, ceci n'ayant pas pour effet de réduire les obligations de garantie offertes par le fabricant du moteur. En tant que propriétaire d'un petit moteur pour service hors-route, sachez toutefois que **Hilti** peut vous refuser le bénéfice de la garantie si votre petit moteur pour service hors-route ou une partie de celui-ci subit une défaillance due à des abus dans l'emploi, des négligences, des erreurs dans la maintenance, des modifications non autorisées ou à l'utilisation de pièces qui n'ont pas été fabriquées ou approuvées par le fabricant des pièces d'origine. Vous êtes tenu de présenter votre petit moteur pour service hors-route à **Hilti** dès qu'apparaît un problème. Les réparations sous garantie devraient être réalisées en un temps raisonnable qui ne doit pas dépasser les 30 jours.

Couverture

Hilti garantit à l'acheteur final ainsi qu'à chaque acheteur consécutif que votre petit moteur pour service hors-route sera, au moment de sa vente, conçu et fabriqué avec les équipements nécessaires, et ce de manière à répondre à toutes les prescriptions applicables. Au premier acheteur et à tout acheteur consécutif, **Hilti** garantit que les pièces sous garantie se rapportant aux émissions atmosphériques ne comportent aucun défaut matériel ni de fabrication qui se traduirait pour le moteur par le non-respect des prescriptions applicables, et ce durant une période de deux ans. Une période de garantie court dès la date d'acquisition du petit moteur pour service hors-route par le premier acheteur. Si une pièce de votre moteur intervenant dans les émissions est défectueuse, **Hilti** s'engage à la remplacer sans que son propriétaire n'encourt de frais. **Hilti** confie la réparation des défauts sous garantie à des centres de service et de réparation agréés par **Hilti**. Toute prise en charge par un centre de service et de réparation agréé par **Hilti** sera gratuite pour le propriétaire dans la mesure où il est établi que la pièce défectueuse est sous garantie. Toute pièce approuvée par le fabricant ou pièce de remplacement équivalente peut être utilisée pour toute maintenance couverte par la garantie ou pour des réparations de pièces intervenant dans les émissions, toutes ces pièces devant être fournies gratuitement au propriétaire si elles sont couvertes par la garantie. **Hilti** assume la responsabilité pour des dommages causés sur d'autres composants du moteur en raison de la défaillance d'une pièce encore couverte par la garantie. La liste des pièces couvertes par la garantie du Conseil californien des ressources atmosphériques définit les pièces sous garantie concernées par les émissions atmosphériques. Il s'agit des pièces suivantes : groupe carburateur, jeu de bobines, rotor, bougie d'allumage, filtre air, filtre carburant, tubulure d'admission et joints d'étanchéité.

Exigences relatives à la maintenance

Le propriétaire est responsable de l'exécution des opérations de maintenance nécessaires telles qu'elles sont définies par **Hilti** dans le manuel d'utilisation correspondant.

Restrictions

La garantie relative au système de contrôle des émissions ne joue pas dans les cas suivants : a) réparation ou remplacement nécessaire en raison d'abus dans l'emploi, de négligences ou d'erreurs dans la maintenance ; b) réparations réalisées incorrectement ou remplacements non conformes aux spécifications **Hilti** altérant le fonctionnement et/ou la durabilité, ainsi que transformations et modifications non recommandées ou non approuvées par **Hilti** par écrit ; c) remplacement de pièces et autres services et ajustements qui s'imposent pour la maintenance nécessaire au moment et suite à la première intervention de remplacement. Sauf indication contraire donnée plus haut, les conditions relatives à la garantie telles qu'elles sont définies plus bas en section 12, sont applicables.

12.2 Garantie constructeur des appareils

Hilti garantit la prise en charge de la réparation gratuite ou du remplacement des pièces présentant un défaut matériel et de fabrication pendant une période de 20 ans à compter de la date de vente d'origine. Cette garantie s'applique à condition que l'appareil soit utilisé et manipulé, nettoyé et entretenu correctement, en conformité avec le mode d'emploi **Hilti**, et que l'intégrité technique soit préservée. C'est-à-dire sous réserve de l'utilisation exclusive de consommables, accessoires et pièces de rechange d'origine **Hilti** dans l'outil.



Cette garantie se limite strictement à la réparation gratuite ou au remplacement gracieux des pièces défectueuses pendant toute la durée de service de l'appareil. Elle ne couvre pas les pièces soumises à une usure normale.

Toutes autres revendications sont exclues pour autant que des dispositions légales nationales impératives ne s'y opposent pas. En particulier, Hilti ne saurait être tenu pour responsable de toutes détériorations, pertes ou dépenses directes, indirectes, accidentelles ou consécutives, en rapport avec l'utilisation ou dues à une incapacité à utiliser l'appareil dans quelque but que ce soit. Exclut en particulier les garanties implicites concernant l'utilisation et l'aptitude dans un but bien précis.

Pour une réparation ou un remplacement, veuillez contacter **Hilti** immédiatement après avoir découvert la défectuosité :

Aux États-Unis :

800.879.8000

Hilti Inc.

7250 Dallas Parkway, Suite 1000

Plano, TX 75024

CS.InboundUS@hilti.com

Au Canada:

800.343.4458

Hilti (Canada) Corporation

2360 Meadowpine Blvd

Mississauga, ON L5N 6S2

CanadaSalesSupport.English@hilti.com

CanadaSalesSupport.French@hilti.com

La présente garantie couvre toutes les obligations d'**Hilti** et annule et remplace toutes les déclarations antérieures ou actuelles, de même que tous accords oraux ou écrits concernant la garantie.

Manual de instrucciones original

1 Información sobre el manual de instrucciones

1.1 Acerca de este manual de instrucciones

- **¡Atención!** Asegúrese de haber leído y entendido toda la documentación adjunta, incluidas, entre otras, las instrucciones, advertencias de seguridad, ilustraciones y especificaciones que se proporcionan con este producto. Familiarícese con todas las instrucciones, advertencias de seguridad, ilustraciones, especificaciones, componentes y funciones del producto antes de utilizarlo. De lo contrario, existe peligro de descarga eléctrica, incendio y/o lesiones graves. Conserve todas las advertencias e instrucciones para futuras consultas.
- Los productos han sido diseñados para usuarios profesionales y solo personal autorizado y debidamente formado puede utilizarlos y llevar a cabo su mantenimiento y conservación. Este personal debe estar especialmente instruido en lo referente a los riesgos de uso. La utilización del producto y sus dispositivos auxiliares puede conllevar riesgos para el usuario en caso de manejarse de forma inadecuada por personal no cualificado o utilizarse para usos diferentes a los que están destinados.
- La documentación adjunta corresponde al estado actual de la técnica en el momento de la impresión. Compruebe siempre la última versión en la página del producto de la página web de Hilti. Para ello siga el enlace o escanee el código QR que figura en esta documentación y que se indica con el símbolo .
- No entregue nunca el producto a otras personas sin este manual de instrucciones.

1.2 Explicación de símbolos

1.2.1 Avisos

Las advertencias de seguridad advierten de peligros derivados del manejo del producto. Se utilizan las siguientes palabras de peligro:



PELIGRO !

- ▶ Término utilizado para un peligro inminente que puede ocasionar lesiones graves o incluso la muerte.



ADVERTENCIA

ADVERTENCIA !

► Término utilizado para un posible peligro que puede ocasionar lesiones graves o incluso la muerte.

PRECAUCIÓN

PRECAUCIÓN !

► Término utilizado para una posible situación peligrosa que puede ocasionar lesiones o daños materiales.

1.2.2 Símbolos en el manual de instrucciones

En este manual de instrucciones se utilizan los siguientes símbolos:

	Consulte el manual de instrucciones
	Indicaciones de uso y demás información de interés
	Manejo con materiales reutilizables
	No tire las herramientas eléctricas y las baterías junto con los desperdicios domésticos

1.2.3 Símbolos en las figuras

En las figuras se utilizan los siguientes símbolos:

2	Estos números hacen referencia a la figura correspondiente incluida al principio de este manual de instrucciones.
3	La numeración en las figuras hace referencia a pasos de trabajo importantes o componentes importantes para los pasos de trabajo. Estos pasos de trabajo o componentes se resaltan en el texto mediante los correspondientes números, p. ej., (3) .
11	En la figura Vista general se utilizan números de posición y los números de la leyenda están explicados en el apartado Vista general del producto .
	Preste especial atención a este símbolo cuando utilice el producto.

1.3 Símbolos de productos

1.3.1 Símbolos en el producto

En el producto se utilizan los siguientes símbolos:

	¡ADVERTENCIA! Lea y siga todas las indicaciones de seguridad que encontrará en el manual de instrucciones. El incumplimiento de estas instrucciones puede producir lesiones graves o mortales.
	Flecha de dirección de giro en la caperuza protectora
	Posición de parada del motor
	Posición de motor en marcha
P	Bomba del arrancador
H	Tornillo de ajuste de la boquilla de velocidad total
L	Tornillo de ajuste de la boquilla de marcha en vacío
T	Tornillo de ajuste para marcha en vacío
	Dirección de giro de apertura de la tapa del depósito



	Transferencia de datos inalámbrica
	Mezcla de combustible
/min	Velocidad
RPM	Revoluciones por minuto
	Diámetro

1.3.2 Símbolos de peligro

En el producto se utilizan los siguientes símbolos de peligro:

	Peligro general
	Peligro por chispas
	Peligro de inhalación de vapores tóxicos y gases de escape
	Peligro por rebote
	Peligro por superficie caliente
	Velocidad de giro máxima del husillo

1.3.3 Señales prescriptivas

En el producto se utilizan las siguientes señales prescriptivas:

	Utilice protección para los oídos, gafas protectoras, mascarilla y casco de protección
	Utilizar guantes de protección
	Utilizar zapatos de protección

1.3.4 Símbolo de prohibición

En el producto se utilizan los siguientes símbolos de prohibición:

	No utilice discos tronzadores dentados
	No utilice discos tronzadores dañados
	Prohibido fumar y manipular llamas

2 Seguridad

2.1 Instrucciones generales de seguridad

⚠ ADVERTENCIA Lea con atención todas las indicaciones de seguridad, instrucciones, ilustraciones y datos técnicos correspondientes a este producto. Si no se atiende a las indicaciones siguientes, pueden producirse lesiones de gravedad o incluso la muerte.

Conserve todas las instrucciones e indicaciones de seguridad para futuras consultas.

2.2 Seguridad de las personas

- ▶ Utilice el producto adecuado. No utilice el producto para fines no previstos, sino únicamente de forma reglamentaria y en perfecto estado técnico.



- ▶ No efectúe nunca manipulaciones o modificaciones en el producto.
- ▶ El producto solo debe ser utilizado por personas que estén familiarizadas con él, que hayan sido informadas acerca del uso seguro de la herramienta y que entiendan los riesgos que comporta. El producto no es apto para el uso por parte de niños.
- ▶ Permanezca atento, preste atención durante el trabajo y utilice el producto con prudencia. No utilice el producto si está cansado o si se encuentra bajo los efectos de drogas, alcohol o medicamentos. Un momento de descuido mientras se está utilizando el producto puede provocar lesiones graves.
- ▶ No aplique una fuerza excesiva en la amoladora tronanzadora. Utilice la amoladora tronanzadora adecuada para cada aplicación. Con la amoladora tronanzadora adecuada, el trabajo puede realizarse de forma más eficiente y segura, a una velocidad de trabajo para la que se diseñó la amoladora tronanzadora.
- ▶ No debe utilizar herramientas de corte distintas a las descritas en esta documentación.
- ▶ Cuando corte en húmedo, no utilice discos lijadores de fijación artificial, a menos que estén específicamente indicados para tal fin por el fabricante.
- ▶ No deben usarse casquillos reductores ni cepillos de rueda trenzados.
- ▶ El usuario y las personas que se encuentren en su proximidad durante el uso del producto deberán llevar gafas protectoras homologadas según ANSI Z87.1, casco de protección, protección para los oídos, guantes de protección, zapatos de protección y una mascarilla adecuada.
- ▶ Antes de utilizar el producto o inmediatamente después de topar contra un obstáculo durante el trabajo, compruebe que la caperuza protectora no esté dañada. Las caperuzas protectoras dañadas deben sustituirse inmediatamente.
- ▶ Asegúrese de contar con medios de extinción de incendios, ya que la formación de chispas durante el trabajo, combinada con el uso de combustible, implica riesgo de incendio.
- ▶ El polvo que se genera al pulir, lijar, cortar y taladrar puede contener productos químicos peligrosos, como, por ejemplo, plomo o pinturas basadas en plomo; ladrillos, hormigón y otros productos de mampostería, piedra natural y otros productos que contengan silicatos; determinadas maderas, como el roble o el haya o las maderas tratadas químicamente, o amianto o materiales que contengan asbesto. La exposición del usuario y las personas circundantes debe regularse según la clase de peligro de los materiales con los que se trabaje. Tome las medidas necesarias para mantener la exposición a un nivel seguro, p. ej., mediante el uso de un sistema de recogida de polvo o una mascarilla adecuada. Las medidas genéricas para reducir la exposición son, entre otras:
 - ▶ trabajar en un espacio bien ventilado;
 - ▶ evitar el contacto prolongado con el polvo;
 - ▶ desviar el polvo de la cara y el cuerpo;
 - ▶ usar prendas protectoras y lavar con agua y jabón las zonas expuestas.
- ▶ Sujete siempre el producto con ambas manos por las empuñaduras previstas. Mantenga las empuñaduras, limpias, secas y sin residuos de aceite o grasa.
- ▶ Si la velocidad aumenta involuntariamente, sitúe el interruptor de conexión/desconexión en la posición de desconexión. Póngase en contacto con el Servicio Técnico de **Hilti**.
- ▶ Si el cable de aceleración del carro de guía está agarrotado o la palanca de aceleración se atasca, apague inmediatamente la amoladora tronanzadora de gasolina con el interruptor de conexión/desconexión.
- ▶ No utilice nunca el producto sin caperuza protectora. Coloque la caperuza protectora correctamente. Debe fijarla con seguridad a la herramienta y debe colocarla en la posición de mayor protección, de modo que quede descubierta en dirección al usuario la menor parte posible del disco tronanzador. Procure que las chispas producidas durante la utilización de la herramienta no provoquen situaciones de peligro. La caperuza protectora sirve para proteger al usuario contra las piezas de discos tronanzadores rotos y el contacto no intencionado con el disco tronanzador, así como contra las chispas incontroladas.
- ▶ Evite tocar las piezas en movimiento, ya que existe riesgo de lesiones.
- ▶ Procure que la postura sea estable y manténgase siempre en equilibrio. De esta forma podrá controlar mejor el producto en caso de presentarse una situación inesperada. Evite adoptar posturas forzadas. Mientras utiliza el producto, sujételo de manera que el polvo, las chispas y los posibles fragmentos rotos de los útiles de inserción o de la herramienta no choquen con su cuerpo. No se apoye en el disco tronanzador.
- ▶ Utilice ropa adecuada. No utilice vestimenta amplia ni joyas. Mantenga su pelo, vestimenta y guantes alejados de las piezas móviles. La vestimenta suelta, las joyas y el pelo largo se pueden enganchar con las piezas en movimiento.
- ▶ Si el producto o el disco tronanzador caen al suelo, compruebe que no hayan sufrido daños. En caso necesario, cambie el disco tronanzador.
- ▶ Desconecte el producto antes de ajustar la caperuza protectora o cambiar el disco tronanzador.
- ▶ Para cambiar el útil, utilice también guantes de protección. El contacto con el disco tronanzador puede producir cortes y quemaduras.



- ▶ Evite el contacto de la piel con el fango producido durante el corte en mojado.
- ▶ No deben separarse materiales que contengan asbesto.
- ▶ No se debe trabajar con materiales algo inflamables, como magnesio o madera, ni deben separarse dichos materiales.
- ▶ Efectúe pausas durante el trabajo, así como ejercicios de relajación y estiramiento de los dedos para mejorar la circulación. Tras muchas horas de trabajo expuesto a las vibraciones, pueden surgir complicaciones en los vasos sanguíneos o en el sistema nervioso en dedos, manos o articulaciones de las manos.
- ▶ Antes de comenzar a trabajar, consulte con el ingeniero, arquitecto o persona responsable de la obra. Las grietas en paredes portantes u otras estructuras pueden influir en la estática, especialmente al seccionar hierros de armadura o elementos portadores.
- ▶ Durante el proceso de taladrado, proteja la zona opuesta al lugar donde se realiza el trabajo, ya que pueden desprenderse cascotes y causar heridas a otras personas.
- ▶ No haga funcionar el producto sin vigilancia.
- ▶ Desconecte el motor y espere hasta que el disco tronzador esté completamente parado antes de dejar el producto en el suelo o transportarlo a la siguiente posición de trabajo.
- ▶ Si se usa el producto sin bomba de agua externa, la cubierta de la bomba debe estar siempre instalada.
- ▶ Desconecte el producto después de su uso.
- ▶ Cuide el producto adecuadamente. Compruebe que no existan piezas rotas o deterioradas que puedan afectar al funcionamiento del producto. Encargue la reparación de las piezas deterioradas antes de usar el producto.
- ▶ Para reducir el riesgo de lesiones, utilice exclusivamente accesorios y herramientas originales Hilti.
- ▶ Encargue a un profesional la reparación del producto utilizando exclusivamente piezas de repuesto originales. Solo así se garantiza la seguridad del producto.
- ▶ Respete la normativa nacional en materia de protección laboral.
- ▶ Evite el contacto con los cables de encendido o el conector de bujías cuando el motor esté en marcha. Apague siempre el motor cuando sustituya bujías o realice inspecciones en el sistema de encendido o sus componentes.

2.3 Seguridad eléctrica

- ▶ Antes de empezar a trabajar, compruebe si la zona de trabajo oculta cables eléctricos, tuberías de gas o cañerías de agua. Las partes metálicas exteriores del producto pueden provocar una descarga eléctrica si se daña por error un cable eléctrico.
- ▶ Organice de antemano el trabajo a realizar, después de estudiar el lugar de uso. Determine si se deben colocar símbolos de advertencia y si se debe definir una distancia de trabajo respecto a otras personas.

2.4 Seguridad en el lugar de trabajo

- ▶ Procure que haya una buena iluminación en la zona de trabajo.
- ▶ No trabaje en espacios cerrados. El monóxido de carbono, los hidrocarburos sin quemar y el benceno de los gases de escape pueden provocar asfixia.
- ▶ Mantenga la zona de trabajo ordenada. Mantenga el entorno de trabajo despejado de objetos que puedan ocasionarle lesiones. El desorden en la zona de trabajo podría provocar accidentes.
- ▶ Las chispas calientes contenidas en los gases de escape o que se producen en el proceso de corte pueden provocar incendios o explosiones. Asegúrese de que las chispas no puedan propagarse a materiales inflamables (gasolina, hierba seca, etc.) o explosivos (gas, etc.).
- ▶ Monte el depósito de agua lleno en el carro de guía solo con la amoladora tronzadora instalada. De este modo se evita que el carro de guía se vuelque.
- ▶ No deposite el producto ni el carro de guía en superficies inclinadas. Asegúrese de que el producto y el carro de guía reposen sobre una base estable.
- ▶ Tras montar la bomba de agua, asegúrese de que los tornillos estén apretados con el par de apriete recomendado.
- ▶ Antes de montar la bomba de agua, asegúrese de que no se supere la presión máxima admisible de 87 psi de las tuberías.

2.5 Líquidos (gasolina y aceite) y vapores

- ▶ La inhalación de vapores de gasolina o el contacto con este combustible puede dañar la salud.
 - ▶ Evite que la gasolina entre en contacto directo con la piel. Utilice guantes de protección.



- ▶ Si se ensucia la ropa con combustible, cámbiesela sin falta.
- ▶ Procure ventilar bien el lugar de trabajo para evitar la inhalación de los vapores de gasolina.
- ▶ Utilice un bidón de combustible reglamentario.
- ▶ No añada gasolina al producto con el motor en marcha. Espere hasta que se enfríe el motor.
- ▶ No fume nunca durante el repostaje, existe peligro de incendio o explosión.
- ▶ No añada gasolina al producto en el entorno de trabajo (mantenga una distancia mínima de 3 m/10 ft respecto al lugar de trabajo). Cuando añada gasolina a la herramienta, procure no derramar el combustible. Utilice un embudo apropiado.
- ▶ Evite inhalar vapores de gasolina y gases de escape. Asegúrese de que haya suficiente ventilación.
- ▶ No utilice gasolina ni otros líquidos inflamables para efectuar trabajos de limpieza.

2.6 Indicaciones de seguridad para tronzadoras de muela

- ▶ **La caperuza protectora de la herramienta eléctrica debe colocarse de forma segura y ajustarse de tal manera que se asegure la máxima seguridad, es decir, que el usuario quede expuesto en el menor grado posible al cuerpo de lijado. Tanto el usuario como las personas que se encuentren a su alrededor deben mantenerse alejadas de los discos lijadores en movimiento.** El usuario debe utilizar la protección para protegerse de los fragmentos que puedan desprenderse y del contacto accidental con el cuerpo de lijado.
- ▶ **Utilice únicamente discos tronzadores sujetos y reforzados o de diamante para su herramienta eléctrica.** El simple hecho de que el accesorio encaje en su herramienta eléctrica no garantiza un uso seguro.
- ▶ **La velocidad admisible del útil de inserción debe alcanzar, como mínimo, el valor máximo indicado en la herramienta eléctrica.** Los accesorios que giren a una velocidad superior a la autorizada pueden romperse o salir despedidos.
- ▶ **Los cuerpos de lijado solamente pueden utilizarse para las aplicaciones de uso recomendadas: por ejemplo, no lije nunca con la superficie lateral de un disco tronzador.** Los discos tronzadores están diseñados para arrancar material con el borde. La acción de la fuerza lateral puede romper los cuerpos de lijado.
- ▶ **Utilice siempre bridas de apriete no dañadas y con el tamaño y la forma adecuados para los discos lijadores elegidos.** Las bridas apropiadas sirven de soporte para los discos lijadores y reducen el riesgo de rotura de estos.
- ▶ **No utilice discos lijadores desgastados de herramientas eléctricas de mayores dimensiones.** Los discos lijadores para herramientas eléctricas más grandes no son apropiados para las elevadas velocidades alcanzadas por las herramientas eléctricas de menor tamaño, puesto que podrían romperse.
- ▶ **El diámetro exterior y el espesor del útil de inserción deben corresponderse con las indicaciones de su herramienta eléctrica.** Los útiles de inserción de dimensiones incorrectas no pueden controlarse ni protegerse de forma adecuada.
- ▶ **Los discos lijadores y las bridas deben encajar a la perfección en el husillo de lijado de su herramienta eléctrica.** Las herramientas que no se adaptan perfectamente al husillo de lijado pueden provocar giros irregulares, fuertes vibraciones e incluso la pérdida del control.
- ▶ **No utilice discos lijadores dañados. Antes de utilizar la herramienta eléctrica, compruebe si hay indicios de desprendimiento o de agrietamiento en los discos lijadores. En caso de caída, compruebe si la herramienta eléctrica o el disco lijador han resultado dañados y utilice en tal caso un disco lijador no dañado. Después de verificar y utilizar el disco lijador, tanto el usuario como las personas que se encuentren a su alrededor deben mantenerse alejadas del disco lijador en movimiento y dejar que la herramienta funcione a máxima velocidad durante un minuto.** Generalmente, los discos lijadores dañados se rompen en el período de prueba.
- ▶ **Utilice el equipo de seguridad personal. Utilice protección completa para la cara, protección para los ojos o gafas de protección, en función de la aplicación. Cuando la aplicación lo requiera, utilice mascarilla antipolvo, protección para los oídos, guantes de protección o un delantal especial que le sirva de pantalla frente a pequeñas partículas que puedan desprenderse en los trabajos de lijado.** Utilice protección para los ojos para evitar que penetren materiales extraños que puedan desprenderse en las diferentes aplicaciones. Tanto la mascarilla antipolvo como la mascarilla ligera filtran el polvo que se produce en determinadas aplicaciones. La exposición prolongada a fuertes ruidos puede ocasionar una pérdida de audición.
- ▶ **Controle que terceras personas mantengan una distancia de seguridad respecto a su zona de trabajo. Todas las personas que se encuentren en la zona de trabajo deben llevar el equipo de seguridad personal.** Los fragmentos que pueden desprenderse de la pieza de trabajo o los útiles de inserción rotos pueden salir despedidos y provocar lesiones incluso fuera de la zona de trabajo.



- ▶ **No deposite nunca la herramienta eléctrica hasta que el útil de inserción no se haya detenido por completo.** El útil de inserción en movimiento puede entrar en contacto con la superficie de trabajo haciéndole perder el control sobre la herramienta eléctrica.
- ▶ **No transporte la herramienta eléctrica en funcionamiento.** Su ropa puede entrar en contacto con la herramienta en movimiento de forma accidental, engancharse con ella e incluso llegar a ocasionarle lesiones.
- ▶ **Limpie las rejillas de ventilación de su herramienta eléctrica con regularidad.** El ventilador del motor conduce el polvo aspirado al interior de la carcasa, de modo que una concentración elevada de polvo de metal puede dar lugar a averías eléctricas.
- ▶ **No utilice la herramienta eléctrica cerca de materiales inflamables.** Las chispas podrían inflamar dichos materiales.
- ▶ **No utilice útiles de inserción que requieran refrigerante líquido.** El uso de agua u otros refrigerantes líquidos puede producir descargas eléctricas.

Descripción del rebote e indicaciones de seguridad correspondientes

El rebote es la reacción inesperada causada por el atascamiento o bloqueo de un disco lijador en funcionamiento. El atascamiento o bloqueo produce una parada brusca de la herramienta en funcionamiento. Por ello, una herramienta eléctrica sin control se acelera en la dirección de giro opuesta respecto a la posición de bloqueo.

Si, por ejemplo, un disco lijador se atasca o bloquea en una pieza de trabajo, el borde del disco lijador que penetra en la pieza de trabajo puede engancharse y, como consecuencia, romperse o dar lugar a un rebote. El disco lijador avanza hacia el usuario o se aleja de él, según la dirección de giro del disco respecto a la posición de bloqueo. En este caso, los discos lijadores también pueden romperse.

El rebote se debe a un uso incorrecto de la herramienta eléctrica. Puede evitarse cumpliendo las medidas de seguridad pertinentes que se describen a continuación.

- ▶ **Sujete bien la herramienta eléctrica y mantenga su cuerpo y brazos en una posición que le permita hacer frente a las fuerzas de rebote. Utilice siempre la empuñadura adicional, en caso de existir, para tener el máximo control sobre las fuerzas de rebote o los momentos de retroceso a plena marcha.** Tomar las medidas de precaución adecuadas contribuye a tener un control absoluto sobre las fuerzas de rebote y retroceso.
- ▶ **No coloque nunca la mano cerca de los útiles de inserción en movimiento.** El útil de inserción puede efectuar movimientos bruscos a causa del rebote y alcanzarle la mano.
- ▶ **Evite traspasar la zona trasera y delantera del disco tronizador.** El rebote empuja la herramienta eléctrica en dirección opuesta al movimiento del disco lijador respecto a la posición de bloqueo.
- ▶ **Tenga especial cuidado cerca de las esquinas y cantos afilados y evite que los útiles de inserción reboten o se enganchen con la pieza de trabajo.** El útil de inserción en movimiento tiende a engancharse con las esquinas o cantos afilados en caso de rebote. Ello puede comportar la pérdida de control o el rebote de la herramienta.
- ▶ **No utilice ninguna hoja de sierra de cadena o dentada ni tampoco discos de diamante segmentados con ranuras superiores a 10 mm.** Estos útiles de inserción a menudo ocasionan el rebote o la pérdida de control de la herramienta eléctrica.
- ▶ **Evite el bloqueo del disco tronizador y una presión de apriete demasiado alta. No realice cortes excesivamente profundos.** La sobrecarga de los discos tronizadores aumenta el desgaste y la tendencia al atascamiento o bloqueo y, con ello, la posibilidad de rebote o rotura del disco lijador.
- ▶ **Si el disco tronizador se atasca o el trabajo se interrumpe, desconecte la herramienta y espere a que el disco deje de girar. Nunca extraiga el disco tronizador de la herramienta antes de que se haya detenido por completo; en caso contrario, podría producirse un rebote.** Detecte la causa del atascamiento y subsane el problema.
- ▶ **No vuelva a conectar la herramienta eléctrica hasta que esta no se encuentre en la pieza de trabajo. Deje que el disco tronizador alcance su máxima velocidad antes de continuar con el corte y proceda con el máximo cuidado.** En caso contrario, el disco puede engancharse, soltarse bruscamente de la pieza de trabajo o rebotar.
- ▶ **Sujete las placas o las piezas de trabajo grandes para evitar el efecto rebote inducido por discos tronizadores atascados.** Las piezas de trabajo grandes pueden doblarse por su propio peso. La pieza de trabajo debe hallarse sostenida por ambos lados del disco, tanto cerca del corte de separación como en la esquina.
- ▶ **Tenga especial cuidado con los "cortes de tipo bolsa" en las paredes o en otras zonas ocultas.** Los discos tronizadores pueden provocar un rebote al cortar conductos de gas o agua, cables eléctricos u otros objetos.



2.7 Transporte y almacenamiento

- ▶ Desconecte el producto antes de transportarlo.
- ▶ Después del uso, extraiga el disco tronzador del producto. En caso de transportar la herramienta con el disco tronzador montado, este puede resultar dañado.
- ▶ Manipule los discos tronzadores con cuidado y guárdelos según las instrucciones del fabricante.
- ▶ Almacene y transporte el producto siempre erguido y no tumbado sobre un lado.
- ▶ No acarree juntos el producto y el carro de guía. Retire el depósito de agua antes de transportar el carro de guía.
- ▶ El producto y el carro de guía no deben transportarse con grúa.
- ▶ Los productos que no se utilicen deben almacenarse de manera segura. Los productos que no se utilicen deben conservarse fuera del alcance de los niños, en un lugar seco, alto y cerrado.
- ▶ Al depositar el producto, asegúrese de que la posición sea segura.
- ▶ Después de usar el producto, déjelo enfriar antes de embalarlo o taparlo.
- ▶ Almacene la gasolina y el aceite en un espacio bien ventilado y en depósitos de combustible reglamentarios.

2.8 CALIFORNIA PROPOSITION 65



DANGER

Fuels used in gas or oil filled appliances and the product of combustion of such fuels contain chemicals (including Benzene, toluene, xylenes, 1,3 butadiene and formaldehyde) known to the State of California to cause cancer, birth defects or other reproductive harm. **Wash hands after handling!**

2.9 Información sobre los valores límite de CO₂ recomendados

Realice siempre el mantenimiento y el funcionamiento del motor de la amoladora tronzadora de acuerdo con las instrucciones de funcionamiento y mantenimiento de este manual de instrucciones. De este modo, se garantiza que las emisiones de gases de escape se mantengan dentro de los límites recomendados legalmente.


El incumplimiento de las instrucciones de funcionamiento y mantenimiento descritas en este manual de instrucciones puede afectar a la conformidad del producto con la normativa aplicable en materia de emisiones. Lo mismo se aplica a la manipulación o daños en el sistema de combustible (por ejemplo, suministro, regulación, tratamiento).



ATENCIÓN

Desviación de los valores de emisión de gases de escape La manipulación del motor y/o del sistema de combustible invalidará la certificación de emisiones de la UE.

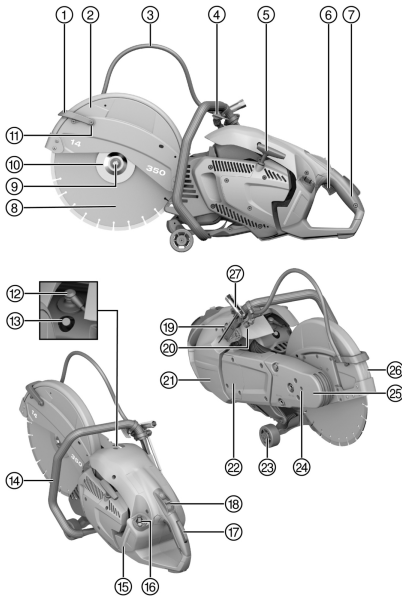
- ▶ No está permitido manipular el motor ni el sistema de combustible.

Los valores de emisiones de CO₂ determinados durante la homologación de tipo UE pueden consultarse en el capítulo Datos técnicos  59.



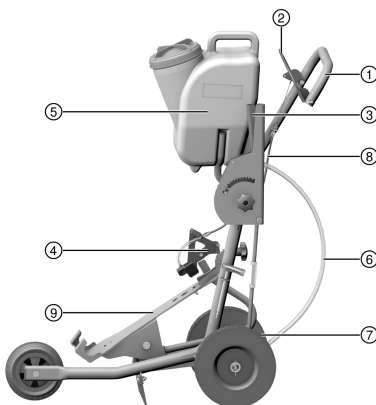
3 Descripción

3.1 Amoladora tronzadora de gasolina 1



- ① Arco de agua con toberas de agua integradas
- ② Caperuza protectora
- ③ Suministro de agua
- ④ Válvula de agua
- ⑤ Arrancador manual
- ⑥ Palanca de aceleración
- ⑦ Empuñadura trasera
- ⑧ Disco tronzador
- ⑨ Tornillo de apriete
- ⑩ Brida de apriete
- ⑪ Tornillo de limpieza para tobera de agua
- ⑫ Conector de bujías
- ⑬ Válvula de descompresión
- ⑭ Empuñadura delantera
- ⑮ Visualización del depósito
- ⑯ Tapa del depósito de combustible
- ⑰ Empuñadura de aceleración de seguridad
- ⑱ Interruptor de arranque/parada del motor con bloqueo de aceleración media
- ⑲ Bomba del arrancador
- ⑳ Toma del agua
- ㉑ Tapa del filtro de aire
- ㉒ Cubierta de la bomba
- ㉓ Rodillos de guía
- ㉔ Orificio de bloqueo para el cambio del disco tronzador
- ㉕ Brazo de la sierra
- ㉖ Flecha de sentido de giro
- ㉗ Herramienta de montaje

3.2 Carro de guía (accesorio) 2



- ① Empuñadura
- ② Palanca de aceleración
- ③ Ajuste de la profundidad de corte
- ④ Pisador
- ⑤ Depósito de agua
- ⑥ Toma del agua
- ⑦ Desplazamiento del eje
- ⑧ Cable de aceleración
- ⑨ Soporte de máquina



3.3 Uso conforme a las prescripciones

El producto descrito es una amoladora tronanzadora con motor para el tronizado en seco y húmedo de asfalto y materiales para la construcción minerales o metálicos con discos tronanzadores de diamante o abrasivos. Se puede guiar con la mano o bien montada sobre un carro.

3.4 Recomendaciones de uso

- Con objeto de reducir la formación de polvo al cortar, trabaje preferentemente con el proceso de corte en mojado. Con la bomba de agua de absorción autónoma (accesorio) puede trabajar sin conexión a la red de abastecimiento de agua, p. ej. absorbiendo agua directamente desde un recipiente.
- No corte la pieza de trabajo de una sola vez; mueva la amoladora tronanzadora varias veces en una y otra dirección hasta alcanzar poco a poco la profundidad de corte deseada.
- Durante el corte en seco, levante el disco tronanzador fuera del corte con el producto en funcionamiento durante unos 10 s cada 30 o 60 s, para evitar daños en el disco tronanzador de diamante.
- Afíle los discos tronanzadores de diamante desafilados (no salen diamantes de la ligadura) cortando en materiales muy abrasivos como piedra arenisca o similar.
- Para aplicaciones de sierra de suelo de gran volumen, instale la amoladora tronanzadora en el carro de guía (accesorio).

3.5 Especificación de los discos tronanzadores

ADVERTENCIA

Riesgo de lesiones. El uso de discos tronanzadores que no sea conforme con la norma ANSI puede suponer un mayor riesgo de lesiones para el usuario.

- ▶ No utilice discos tronanzadores que no sean conformes con la norma ANSI sobre discos tronanzadores .

Con este producto deben usarse discos tronanzadores de diamante según ANSI B7.1. También pueden usarse con la herramienta discos tronanzadores aglomerados con resina sintética y refuerzo de fibras según ANSI B7.1 (forma recta, no acodada, tipo cutting-off wheel) para trabajar materiales de construcción metálicos.

Siga siempre las indicaciones de uso y montaje del fabricante del disco tronanzador.

3.6 Suministro

Amoladora tronanzadora de gasolina, manual de instrucciones.

Encontrará otros productos del sistema autorizados para su producto en su **Hilti Store** o en Internet, en: www.hilti.group

3.7 Material de consumo y piezas de desgaste

- Filtro de aire
- Hilo
- Arrancador
- Filtro de gasolina
- Bujía
- Juego de herramientas
- Juego de cilindros
- Tornillo de fijación comp.
- Brida (2 unidades)
- Casquillo de centrado de 20 mm/1"

4 Datos técnicos

4.1 Características del producto

	DSH 700-X 14"	DSH 900-X 16"
Generación de productos	04	04
Peso sin disco tronanzador, depósito vacío	12,1 kg (26,7 lb)	12,4 kg (27,3 lb)



	DSH 700-X 14"	DSH 900-X 16"
Peso con carro de guía, sin disco tronzador, depósito vacío	43,1 kg (95,0 lb)	43,4 kg (95,7 lb)
Velocidad de giro máxima del husillo	5.100 rpm (85,0 Hz)	4.700 rpm (78,3 Hz)
Velocidad máxima del disco tronzador	5.100 rpm (85,0 Hz)	4.700 rpm (78,3 Hz)
Profundidad de corte máxima	125 mm (4,9 in)	150 mm (5,9 in)
Tipo de motor	Motor de dos tiempos/un cilindro/refrigerado por aire	Motor de dos tiempos/un cilindro/refrigerado por aire
Cilindrada	87 cm ³ (5,3 in ³)	87 cm ³ (5,3 in ³)
Potencia nominal (ISO 7293)	4,2 kW (5,6 hp)	4,2 kW (5,6 hp)
Velocidad nominal del motor (ISO 7293)	8000 ± 200 rpm	8000 ± 200 rpm
Velocidad de giro en vacío	2750 ± 250 rpm	2750 ± 250 rpm
Encendido (tipo)	Punto de encendido con control electrónico	Punto de encendido con control electrónico
Distancia de electrodos	0,7 mm (0,03 in)	0,7 mm (0,03 in)
Bujía	Fabricante: NGK; tipo: CMR7A	Fabricante: NGK; tipo: CMR7A
Par de apriete para fijar las bujías	12 Nm (9 ftlb)	12 Nm (9 ftlb)
Carburador	Fabricante: Walbro; modelo: WT; modelo: 1152	Fabricante: Walbro; modelo: WT; modelo: 1152
Mezcla de combustible	Aceite API-TC 2 % (1:50)	Aceite API-TC 2 % (1:50)
Volumen del depósito	30,4 oz (900 cm ³)	30,4 oz (900 cm ³)
Taladro de alojamiento del disco tronzador / diámetro del tope de centrado del casquillo de centrado (reversible)	20 mm o 25,4 mm (0,8 in o 1,00 in)	20 mm o 25,4 mm (0,8 in o 1,00 in)
Mínimo diámetro exterior de brida	102 mm (4,0 in)	102 mm (4,0 in)
Grosor máximo del disco (grosor de la cuchilla base)	5,5 mm (0,22 in)	5,5 mm (0,22 in)
Diámetro exterior máximo del disco	350 mm (13,8 in)	400 mm (15,7 in)
Par de apriete para fijar el disco tronzador	25 Nm (18 ftlb)	25 Nm (18 ftlb)

4.2 Valores de emisiones de gases de escape



Los valores determinados se establecieron en condiciones de laboratorio y son el resultado de probar un motor representativo del tipo de motor durante un ciclo de prueba fijo.

Valores de emisión de CO₂ en [g/kWh]	840,1
--	-------



5 Preparación del trabajo

5.1 Combustible

El motor de dos tiempos funciona con una mezcla de combustible compuesta por gasolina y aceite. La calidad de la mezcla de combustible juega un papel muy importante en el funcionamiento y la vida útil del motor.



ADVERTENCIA

Riesgo de lesiones. La inhalación de vapores de gasolina o el contacto con este combustible puede dañar la salud.

- ▶ Evite que la gasolina entre en contacto directo con la piel. Utilice guantes de protección.
- ▶ Si se ensucia la ropa con combustible, cámbiesela sin falta.
- ▶ Procure ventilar bien el lugar de trabajo para evitar la inhalación de los vapores de gasolina.
- ▶ Utilice un bidón de combustible reglamentario.

5.1.1 Criterios de selección del combustible

- ▶ Utilice gasolina normal o súper con un octanaje no inferior a 89 ROZ.



El contenido en alcohol (por ejemplo, etanol, metanol u otros) del combustible utilizado no debe ser superior al 10 %; de lo contrario, la vida útil del motor se reduce considerablemente.

5.1.2 Aceite de dos tiempos

- ▶ Utilice aceite de dos tiempos de calidad para motores refrigerados por aire que cumpla al menos la especificación API-TC.

5.1.3 Mezcla del combustible




Asegúrese siempre de que la especificación del aceite de dos tiempos es correcta y utilice siempre una mezcla de combustible y aceite de dos tiempos con la proporción de mezcla óptima. Esto evitará un desgaste excesivo y daños en el motor.

La proporción de mezcla óptima es de **1:50**. Esto corresponde a 1 parte de aceite de dos tiempos con la especificación API-TC y 50 partes de gasolina (por ejemplo, 100 ml de aceite de dos tiempos y 5 litros de gasolina en un bidón).

Si no conoce la calidad de la gasolina o del aceite para motores de dos tiempos, incremente la proporción de mezcla a **1:25**.

1. Vierta primero la cantidad necesaria de aceite de dos tiempos en el depósito de combustible.
2. A continuación, vierta la gasolina en el depósito de combustible.
3. Cierre el depósito de combustible.
4. Mezcle el combustible agitando el depósito de combustible.

5.1.4 Llenado de combustible

1. Si se dispone del siguiente equipamiento, siga este paso adicional:
 - ▶ Mezcle el combustible y el aceite de dos tiempos.  60
2. Coloque el producto en una posición vertical estable.
3. Abra el depósito de combustible girando la tapa en sentido antihorario y retirándola.
4. Vierta lentamente el combustible a través de un embudo.
5. Cierre el depósito de combustible colocando la tapa y girándola en sentido horario.
6. Cierre el depósito de combustible.

5.2 Tareas de montaje y ajuste



ADVERTENCIA

Riesgo de lesiones. Tocar el disco tronzador mientras gira puede causar lesiones. Las piezas calientes de la máquina o un disco tronzador caliente pueden provocar quemaduras.

- ▶ Antes de realizar trabajos de montaje o modificaciones del producto, asegúrese de que el disco tronzador se haya detenido por completo y el producto se haya enfriado.
- ▶ Utilice guantes de protección.



5.2.1 Montaje del disco tronzador 3

ADVERTENCIA

Riesgo de lesiones y daños. Los discos tronzadores inadecuados pueden destruirse durante el funcionamiento o provocar la pérdida de control sobre el producto o la rotura del útil de inserción.

- ▶ Asegúrese de que la velocidad admisible del disco tronzador sea como mínimo tan elevada como la velocidad nominal máxima del husillo utilizado con el producto. Los discos tronzadores, bridas y tornillos deben ser adecuados para el producto.
- ▶ Utilice solo discos tronzadores cuyo taladro de alojamiento tenga un diámetro de 20 mm o 25,4 mm (1") y que coincidan con el casquillo de centrado.

ADVERTENCIA

Riesgo de lesiones y daños. Los discos tronzadores dañados pueden romperse.

- ▶ Si el disco tronzador recibe un golpe, compruebe de inmediato si el disco se ha dañado y sustitúyalo en caso necesario.
- ▶ No utilice nunca discos tronzadores dañados, no redondos o vibrantes.

ADVERTENCIA

Riesgo de lesiones y daños. Si los tornillos de fijación están muy apretados, tanto estos como las arandelas que llevan montadas pueden dañarse o romperse.

- ▶ Ajuste siempre el tornillo de fijación con el par de giro especificado.
- ▶ Procure no apretar demasiado el tornillo de fijación.

ADVERTENCIA

Riesgo de lesiones. En caso de montaje o desmontaje incorrecto del disco tronzador, las piezas sueltas pueden alcanzar el ojo y provocar lesiones.

- ▶ Utilice siempre protección para los ojos (gafas protectoras) al cambiar el útil de inserción.
1. Inserte la clavija de bloqueo en el taladro de la cubierta de la correa y gire el disco tronzador hasta que la clavija de bloqueo encaje.
 2. Suelte el tornillo de fijación girándolo con la llave en sentido antihorario y retírelo junto con el disco.
 3. Retire la clavija de bloqueo.
 4. Retire la brida de apriete y el disco tronzador.
 5. Compruebe si el taladro de alojamiento del disco tronzador que se va a montar coincide con el juego de centrado del casquillo de centrado.



El casquillo de centrado presenta un tope de centrado con un diámetro de 20 mm en un lado y un tope de centrado con un diámetro de 25,4 mm (1") en el lado opuesto.

6. Limpie las superficies de fijación y de centrado en el producto y en el disco tronzador.
7. Coloque el disco tronzador con collar de centrado en el eje de accionamiento y asegúrese de que la dirección de giro sea correcta.
 - ▶ La flecha de dirección de giro del disco tronzador coincide con la dirección de giro indicada en el producto.
8. Coloque la brida de apriete y el disco en el eje de accionamiento y apriete el tornillo de fijación en sentido horario.
9. Inserte la clavija de bloqueo en el taladro de bloqueo de la cubierta de la correa y gire el disco tronzador hasta que la clavija de bloqueo encaje.
10. Apriete el tornillo de fijación (par de apriete: 25 Nm).
11. Retire la clavija de bloqueo.

PRECAUCIÓN

Riesgo de lesiones y daños. Los útiles de inserción dañados pueden romperse.

- ▶ No utilice nunca útiles de inserción dañados, no redondos o vibrantes.
 - ▶ Permanezca fuera de la zona de peligro.
12. Tras montar un nuevo disco tronzador, haga girar el producto sin carga y a toda velocidad durante aprox. 1 min.



5.2.2 Ajuste de la caperuza protectora

ADVERTENCIA

Riesgo de lesiones. El contacto con el disco tronzador y partículas o chispas proyectadas puede causar lesiones.

- ▶ Ajuste la caperuza protectora de modo que las partículas y las chispas desprendidas del material de trabajo salgan proyectadas en dirección opuesta al usuario y al producto.
- ▶ Gire la caperuza protectora a la posición deseada.
 - ▶ Asegúrese de que la abertura de la protección de la hoja no apunte hacia el usuario.



El arco de agua no debe utilizarse como empuñadura.

5.2.3 Cambio de la posición normal a la de corte enrasado



Puede cambiarse de posición la parte anterior del brazo de la sierra a fin de poder realizar cortes lo más cerca posible de los bordes y paredes.

- ▶ Si desea utilizar el producto en la posición de corte enrasado, solicite la modificación al Servicio Técnico de Hilti.


5.3 Bloqueo del movimiento giratorio de los rodillos de guía

ADVERTENCIA

Riesgo de lesiones. La amoladora tronzadora puede moverse de manera imprevista o caer al suelo.

- ▶ Al trabajar en tejados, andamios o superficies inclinadas, bloquee siempre el movimiento giratorio de los rodillos de guía.
1. Suelte los tornillos de fijación de los rodillos de guía y extraiga los rodillos de guía.
 2. Gire los rodillos 180° y monte los tornillos de fijación.
 - ▶ La función integrada de bloqueo está activa.
 3. Asegúrese de que los rodillos de guía estén bien fijados.

5.4 Instalación de la amoladora tronzadora de gasolina en el carro de guía

1. Retire el depósito de agua del carro de guía.
2. Coloque la palanca para el ajuste de la profundidad de corte en la posición superior.
3. Abra el pisador aflojando el tornillo de estrella.
4. Coloque la amoladora tronzadora con las ruedas como se muestra en el alojamiento de la herramienta delantero y sitúe la empuñadura de la amoladora tronzadora debajo del pisador.
5. Apriete el tornillo de estrella para fijar la amoladora tronzadora.
6. Monte el depósito de agua lleno.
7. Coloque la empuñadura a una altura de trabajo que le resulte cómoda.
8. Coloque la caperuza protectora.  62



Asegúrese, sobre todo en la primera puesta en servicio, de que el cable de aceleración se encuentre correctamente ajustado. El producto debe funcionar en la posición de velocidad máxima con la palanca de aceleración presionada. En caso contrario, el cable de aceleración puede ajustarse girando el tensor del cable.

Si el cable de aceleración no está accionado, el disco tronzador debe estar parado cuando el producto está en marcha en vacío. De lo contrario, desplace inmediatamente el interruptor de conexión/desconexión a la posición «Parar» y ajuste el cable de aceleración o envíe el producto al Servicio Técnico de Hilti para ajustar la velocidad de giro en vacío.

5.5 Montaje de la bomba de agua (accesorio)

1. Desconecte el producto.



- Suelte los tres tornillos de fijación de la cubierta de la bomba, extráigala y guárdela en lugar seguro.



Si se utiliza el producto sin bomba de agua, la cubierta de la bomba debe estar instalada.

- Coloque la bomba de agua y gire ligeramente el disco tronzador para alinear de modo uniforme los dentados de la bomba de agua y la campana de embrague hasta que queden engarzados entre sí.
 - La posición está codificada y no es posible un montaje erróneo.
- Monte los tres tornillos de fijación y apriételos con el par de apriete indicado (par de apriete: 8 Nm).
- Una la manguera de la bomba con la conexión de la amoladora tronzadora.
- Retire la tapa de protección del extremo de la manguera para la toma de agua.
- Asegúrese de que la presión del agua en la tubería no supere los 6 bar.
 - Si la presión de agua en la tubería es superior a 6 bar, redúzcala.
- Conecte la bomba de agua a la tubería de suministro o introduzca la manguera de aspiración en un recipiente con agua, por ejemplo.



Cuando la bomba de agua no esté conectada a una toma, deberá colocarse la tapa de protección en el extremo de la manguera para la toma de agua.

5.6 Desmontaje de la bomba de agua (accesorio)

- Desconecte el producto.
- Desconecte el suministro de agua de la bomba.
- Coloque la tapa de protección en el extremo de la manguera para la toma de agua.
- Desconecte la bomba del producto.
- Suelte los tres tornillos de fijación de la bomba y desmonte la bomba.
- Coloque la cubierta de la bomba sobre el producto, inserte los tres tornillos de fijación y apriételos (par de apriete: 4 Nm).

5.7 Arranque del motor



PELIGRO

Peligro de asfixia. El monóxido de carbono, los hidrocarburos sin quemar y el benceno de los gases de escape pueden provocar asfixia.

- No trabaje en espacios cerrados, zanjas u hoyos, y procure que haya buena ventilación.



ADVERTENCIA

¡Riesgo de lesiones debido a un comportamiento inesperado del producto! Preste atención a comportamientos inusuales del producto. Si observa alguno de los siguientes fenómenos antes de la puesta en servicio o durante el funcionamiento, detenga inmediatamente todos los trabajos con el producto y apáguelo, por ejemplo, colocando el interruptor de conexión/desconexión en la posición de **parada**, pulsando el botón de la bomba (bomba de arranque) o extrayendo el conector de la bujía. Póngase en contacto con el servicio técnico de **Hilti**.

- Cambio, aumento de velocidad o aceleración involuntaria del motor o del disco tronzador.
- El conmutador de control, la palanca de aceleración u otros elementos de manejo están atascados, bloqueados o reaccionan con retardo o vuelven muy lentamente a la posición inicial.
- El disco tronzador frena mucho más lentamente de lo esperado o no frena en absoluto.



ADVERTENCIA

Riesgo de quemaduras. El tubo de escape alcanza temperaturas muy elevadas durante el funcionamiento del motor. Además, permanece caliente durante un periodo prolongado después de apagar el motor.

- Utilice guantes de protección y evite tocar el tubo de escape.
- No coloque el producto caliente sobre material inflamable.



ADVERTENCIA

Riesgo de lesiones. Un tubo de escape dañado incrementa el volumen de ruido por encima del límite admisible y aumenta el riesgo de sufrir daños auditivos.

- No utilice nunca el producto si el tubo de escape está dañado, ha sido cambiado por otro de diferentes características o no está presente.



⚠ ADVERTENCIA

Riesgo de lesiones en caso de uso sin montar la cubierta de la bomba de agua El contacto con la conexión de la bomba de agua durante el funcionamiento provoca lesiones.

- ▶ Antes de utilizar el producto, asegúrese de que la cubierta de la bomba de agua esté correctamente montada.

⚠ ADVERTENCIA

Riesgo de lesiones por sustancias y gases inflamables. Como consecuencia puede sufrir quemaduras e incluso la muerte.

- ▶ No utilice el producto si hay sustancias y gases inflamables presentes.
- ▶ Asegúrese de que haya una ventilación suficiente.

⚠ PRECAUCIÓN

Riesgo de lesiones al pillarse los dedos o riesgo de quemaduras con la bomba de agua montada. El contacto con la carcasa de la bomba puede provocar quemaduras.

- ▶ Agarre la empuñadura delantera únicamente por el lado superior e izquierdo.

1. Pulse una vez la válvula de descompresión.
2. Accione la bomba de arranque 2 o 3 veces hasta que el botón de la bomba se haya llenado completamente de combustible (solo para arranque en frío).
3. Pulse la empuñadura de aceleración de seguridad y manténgala presionada.
4. Pulse la palanca de aceleración y manténgala presionada.
5. Coloque el interruptor de conexión/desconexión en la posición «Arranque».
6. Suelte la empuñadura de aceleración de seguridad y la palanca de aceleración.
 - ▶ Se activará la posición de aceleración media.
7. Compruebe si el disco tronzador gira con libertad.
8. Coloque el pie derecho en la parte inferior de la empuñadura trasera.
9. Tire lentamente del arrancador manual con la mano derecha hasta que perciba una resistencia.
10. Tire con fuerza del arrancador manual.
11. Repita el proceso hasta que el motor arranque.
12. En cuanto arranque el motor, presione brevemente la palanca de aceleración.
 - ▶ De esta forma se desactiva el bloqueo de aceleración media y el motor funciona al ralentí.

5.8 Comprobaciones después del arranque del motor

1. Compruebe que el disco tronzador permanezca inmóvil en marcha en vacío y que, tras acelerar a fondo brevemente, el disco tronzador vuelva a quedar totalmente inmóvil en marcha en vacío.
 - ▶ Si el disco tronzador no se para en la marcha en vacío, reduzca la velocidad de giro en vacío. Si esto no es posible, envíe el producto al Servicio Técnico de **Hilti**.
2. Compruebe el funcionamiento correcto del interruptor de conexión/desconexión. Coloque el interruptor de conexión/desconexión en la posición «Parar».
3. Si el motor no se apaga, presione el botón de la bomba (bomba de arranque). Si esto no surte efecto, extraiga el conector de bujías y envíe el producto al Servicio Técnico de **Hilti**.

5.9 Desconexión del motor**⚠ ADVERTENCIA**

Riesgo de lesiones. Un disco tronzador en rotación puede romperse y puede salir expulsado material.

- ▶ Deje que el disco tronzador se detenga antes de depositar la amoladora tronzadora.

1. Suelte la palanca de aceleración.
2. Coloque el interruptor de conexión/desconexión en la posición «Parar».
 - ▶ El motor se detendrá.

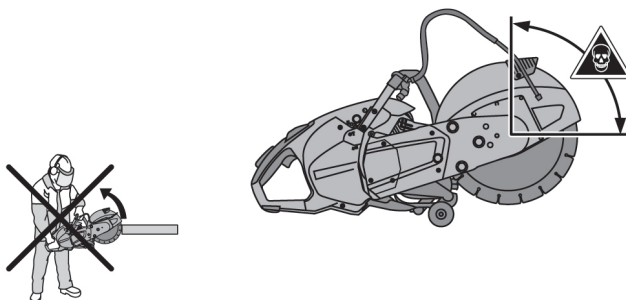


6 Manejo

6.1 Técnica de corte

Modo de evitar rebotes

Si la amoladora tronzoadora se aplica en la zona marcada, existe riesgo de rebote.

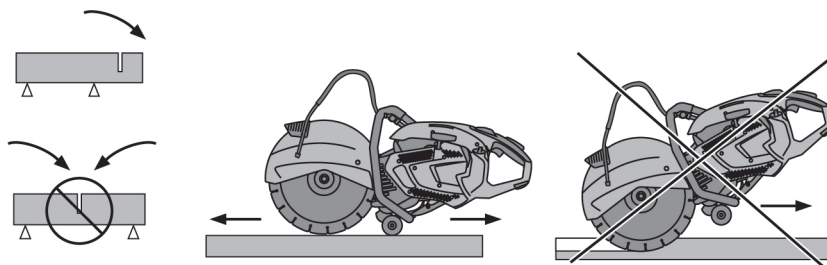


- ▶ Evite que el disco tronzoador toque la superficie de trabajo por la zona marcada.
- ▶ Acerque el disco tronzoador siempre desde la parte superior hacia la pieza de trabajo. El disco tronzoador solo puede tocar la pieza de trabajo en una posición por debajo del punto de giro.
- ▶ Extreme la precaución cuando inserte el disco tronzoador en un corte existente.

Modo de evitar bloqueos

Al cortar en la dirección del suelo, si el disco tronzoador se atasca, el producto puede saltar hacia adelante de manera descontrolada.

Al realizar cortes en vertical, p. ej., en una pared, si el disco tronzoador se atasca, el producto puede saltar hacia arriba de manera descontrolada.



PRECAUCIÓN

Peligro de ruptura o de rebote. La sobrecarga del disco tronzoador provoca su torsión. Si el disco tronzoador se atasca en el corte, aumenta la probabilidad de que se produzcan rebotes o se rompa el disco tronzoador.

- ▶ No deje que el disco tronzoador se atasque y evite una presión excesiva al cortar.
 - ▶ No intente alcanzar de inmediato una profundidad de corte excesiva.
-
- ▶ Corte piezas de trabajo gruesas a ser posible en varios cortes. Evite las profundidades de corte demasiado grandes.
 - ▶ Antes del corte, haga funcionar la amoladora tronzoadora a la velocidad máxima.
 - ▶ Ponga el disco tronzoador en contacto directo con la pieza de trabajo, en ángulo recto y por debajo del eje de rotación.
 - ▶ Hunda lentamente el disco tronzoador en la pieza de trabajo, evitando aplicar una presión excesiva, con un movimiento de vaivén.



- ▶ Trabaje con un avance moderado, adecuado al tipo de material que esté tratando.



Si se aprecia que cada vez se avanza menos en el trabajo, puede significar que los segmentos del diamante están romos. Estos se pueden afilar haciendo cortes en material abrasivo (placa de afilado **Hilti** o piedra arenisca calcárea abrasiva).

- ▶ Dirija la amoladora tronanzadora de forma uniforme y sin aplicar presión lateral sobre el disco tronanzador.
- ▶ Sujete la amoladora tronanzadora siempre con ambas manos por las empuñaduras previstas. Mantenga las empuñaduras secas, limpias y sin residuos de aceite o grasa.
- ▶ Asegúrese de que no haya ninguna persona en la zona de trabajo, especialmente en la dirección de corte. Mantenga a terceras personas alejadas aprox. 15 m de su puesto de trabajo.

Colocación de la pieza de trabajo



- ▶ Apoye las placas o las piezas grandes de trabajo de forma que la ranura de corte permanezca abierta durante y después del proceso de corte.

7 Cuidado y mantenimiento



ADVERTENCIA

Riesgo de lesiones. El contacto con el disco tronanzador en rotación o piezas calientes de la máquina puede producir lesiones y quemaduras.

- ▶ Antes de cualquier trabajo de mantenimiento, reparación o limpieza, apague el motor y deje enfriar el producto.

7.1 Tabla de mantenimiento

	Antes de comenzar a trabajar	Cada seis meses	En caso necesario
Comprobar si la herramienta se encuentra en perfecto estado y si está completa o tiene fugas; en caso necesario, repararla.	✓		
Comprobar si la herramienta está sucia; en caso necesario, limpiarla.	✓		
Comprobar que los elementos de manejo funcionan correctamente; en caso necesario, repararlos.	✓		
Comprobar si el disco tronanzador se encuentra en perfecto estado; en caso necesario, cambiarlo.	✓		
Apriete las tuercas y los tornillos accesibles desde el exterior.	✓	✓	✓
Comprobar si el filtro de combustible está sucio; en caso necesario, cambiarlo.		✓	✓
Cambiar el filtro de aire si el producto no arranca o la potencia del motor disminuye notablemente.			✓
Limpiar o cambiar las bujías si el producto no arranca o le cuesta arrancar.			✓
Regular la velocidad de giro en vacío si el disco tronanzador no se para en la marcha en vacío.			✓
Si la correa resbala al accionar el disco tronanzador, envíe el producto al Servicio Técnico de Hilti para su reparación.			✓



7.2 Limpieza o sustitución del filtro de aire 8

ATENCIÓN

Riesgo de daños. El producto puede estropearse si penetra polvo en su interior.

- ▶ No trabaje en ningún caso sin filtro de aire o con un filtro de aire dañado.
- ▶ Al cambiar el filtro de aire, el producto debe estar en posición vertical y no tumbado. Asegúrese de que no entre polvo en la pantalla de filtro situada por debajo del filtro de aire.



Cambie el filtro de aire cuando la potencia del motor disminuya notablemente o el comportamiento de arranque se deteriore.

1. Suelte los tornillos de fijación de la tapa del filtro de aire y extráigala.
2. Elimine cuidadosamente el polvo adherido al filtro de aire y a la cámara de aire (utilice un aspirador de polvo).
3. Suelte los cuatro tornillos de fijación del soporte del filtro y extraiga el filtro de aire.
4. Coloque el filtro de aire nuevo y fíjelo con el soporte del filtro.
5. Coloque la tapa del filtro de aire y apriete los tornillos de fijación.

7.3 Sustitución del cable roto del arrancador 9

ATENCIÓN

Riesgo de daños. Un cable demasiado corto del arrancador puede dañar la carcasa.

- ▶ Si el cable del arrancador se rompe, deje de utilizarlo de inmediato y sustitúyalo.
1. Suelte los tres tornillos de fijación y extraiga la unidad del arrancador.
 2. Retire los restos de cable de la bobina y de la empuñadura del arrancador.
 3. Realice un nudo apretado al final del nuevo cable del arrancador e introduzca el extremo libre del cable desde arriba en la bobina del cable.
 4. Conduzca el extremo libre del cable desde abajo a través del taladro en la carcasa del arrancador, así como desde abajo a través de la empuñadura del arrancador y realice en el extremo del cable otro nudo apretado.
 5. Extraiga el cable del arrancador tal como se muestra en la figura de la carcasa y condúzcalo a través de la ranura de la bobina.
 6. Sostenga el cable del arrancador cerca de la ranura de la bobina y gírelo en el sentido de las agujas del reloj hasta alcanzar el tope.
 7. Gire la bobina desde el tope entre $\frac{1}{2}$ y $1 \frac{1}{2}$ vueltas hacia atrás hasta que la ranura de la bobina coincida con el orificio en la carcasa de arrancador.
 8. Sujete la bobina y extraiga el cable de la carcasa tirando en dirección a la empuñadura del arrancador.
 9. Mantenga el cable tensado y suelte la bobina para que el cable del arrancador pueda enrollarse automáticamente.
 10. Estire el cable del arrancador hasta su tope y compruebe si en dicha posición todavía se puede girar a mano la bobina al menos media vuelta más en el sentido de las agujas del reloj. Si esto no fuera posible, destense los resortes una vuelta más en el sentido contrario a las agujas del reloj.
 11. Coloque la unidad del arrancador y presiónela con cuidado hacia abajo. Tire del cable del arrancador para que el acoplamiento encaje y la unidad del arrancador quede totalmente apoyada.
 12. Fije la unidad del arrancador con los tres tornillos de fijación.

7.4 Sustitución del filtro de combustible 10

ADVERTENCIA

Riesgo de lesiones. La inhalación de vapores de gasolina o el contacto con este combustible puede dañar la salud.

- ▶ Evite que la gasolina entre en contacto directo con la piel. Utilice guantes de protección.
- ▶ Si se ensucia la ropa con combustible, cámbiesela sin falta.
- ▶ Procure ventilar bien el lugar de trabajo para evitar la inhalación de los vapores de gasolina.
- ▶ Utilice un bidón de combustible reglamentario.





Asegúrese de que no entre suciedad en el depósito de combustible del producto al repostar.

1. Abra el depósito de combustible.
2. Extraiga el filtro de combustible del depósito de combustible.
3. Revise el filtro de combustible.
 - ▶ Si el filtro de combustible está muy sucio, sustitúyalo.
4. Desplace la pinza hacia atrás por la manguera y retire el filtro de combustible sucio.
5. Coloque un nuevo filtro de combustible y fíjelo con la pinza de la manguera.
6. Vuelva a introducir el filtro de combustible en el depósito de combustible.
7. Cierre el depósito de combustible.

7.5 Limpieza de la bujía, ajuste de la distancia de los electrodos o sustitución de la bujía

PRECAUCIÓN

Riesgo de lesiones. La bujía y las piezas del motor pueden estar calientes justo después del funcionamiento del producto.

- ▶ Antes de realizar trabajos de mantenimiento o puesta a punto, deje enfriar el producto.

1. Extraiga el conector de bujías con un ligero movimiento giratorio.
2. Desatornille la bujía del cilindro con la respectiva llave.
3. En caso necesario, limpie el electrodo con un cepillo suave de alambre.
4. Compruebe la distancia de los electrodos y ajústela en caso necesario con ayuda de una galga hasta obtener la distancia necesaria de 0,7 mm.
5. Inserte la bujía en el conector de bujías y sujete la rosca de la bujía contra el cilindro.
6. Coloque el interruptor de conexión/desconexión en la posición «Arranque».

ADVERTENCIA

Riesgo de lesiones. En caso de tocar los electrodos existe peligro de descarga eléctrica.

- ▶ No toque los electrodos de la bujía.
7. Tire del cable del arrancador (pulse la válvula de descompresión).
 - ▶ Ahora se debe ver una chispa de encendido inequívoca.
 8. Atornille la bujía en el cilindro con la llave correspondiente (par de apriete: 12 Nm).
 9. Inserte el conector de bujías en la bujía.

7.6 Ajuste del carburador

El carburador de este producto se ha ajustado de forma óptima antes de la entrega. En este carburador, el usuario puede ajustar la velocidad de giro en vacío (boquilla T). Todos los demás trabajos de ajuste deben ser realizados por el Servicio Técnico de **Hilti**.



Una manipulación inadecuada en el ajuste del carburador puede dañar el motor.

- ▶ Limpie el filtro de aire. 67
- ▶ Lleve la herramienta a la temperatura de servicio.
- ▶ Utilice un destornillador adecuado (ancho de hoja: 4 mm^{5/32"}) y no fuerce el tornillo de ajuste más allá del rango admisible.
- ▶ Ajuste la boquilla de marcha en vacío (T) de forma que el producto funcione al ralentí sin forzar y el disco tronzador se pare con seguridad.

7.7 Mantenimiento de la herramienta



Para garantizar un correcto funcionamiento, utilice exclusivamente piezas de repuesto y consumibles originales. Las piezas de repuesto, los consumibles y los accesorios autorizados por **Hilti** se pueden consultar en su **Hilti Store** o en: www.hilti.group

- ▶ Mantenga el producto seco, limpio y libre de aceite y grasa, en especial las superficies de la empuñadura.



- ▶ No utilice ningún producto de limpieza que contenga silicona.
- ▶ Limpie regularmente el exterior de la herramienta con un paño ligeramente humedecido o con un cepillo seco. Para limpiarla, no utilice pulverizadores, aparatos de chorro de vapor ni agua corriente.
- ▶ Evite que entren cuerpos extraños en el interior del producto.

7.8 Mantenimiento

1. Compruebe regularmente que ninguna de las partes exteriores del producto y de los accesorios esté dañada y que todos los elementos de manejo se encuentren en perfecto estado de funcionamiento.
2. No use al producto si alguna de las piezas está dañada o si alguno de los elementos de manejo no funciona correctamente. Encargue la reparación del producto al Servicio Técnico de Hilti.

7.9 Comprobación después de las tareas de cuidado y mantenimiento

- ▶ Una vez realizadas las tareas de cuidado y mantenimiento, compruebe si están colocados todos los dispositivos de protección y si estos funcionan correctamente.

7.10 Limpieza de las toberas de agua

1. Afloje el tornillo de limpieza del arco de agua.
2. Limpie la tobera de agua con un alambre.
3. Monte el tornillo de limpieza.

8 Transporte y almacenamiento

8.1 Transporte en vehículo

ADVERTENCIA

Peligro de incendio o explosión. Si el producto se vuelca durante el transporte, puede verterse el combustible contenido en el depósito.

- ▶ Antes de embalar el producto para entregarlo a un servicio de transporte, vacíe por completo el depósito de combustible.
- ▶ Siempre que sea posible, transporte el producto en su embalaje original.

ADVERTENCIA

Riesgo de incendio. Las piezas calientes de la máquina pueden incendiar el material que las rodea.

- ▶ Antes de embalar el producto o cargarlo en un vehículo, déjelo enfriar por completo.

1. Desmonte el disco tronzador.
2. Proteja el producto contra vuelco, daños y fugas de combustible.
3. Transporte el carro de guía solamente con el depósito de agua vacío.

8.2 Conservación de la mezcla de combustible



PRECAUCIÓN

Riesgo de lesiones. Dado que en el bidón de combustible puede acumularse presión, existe el peligro de que se produzcan salpicaduras de combustible al abrirlo.

- ▶ Para dejar salir la presión despacio, abra la tapa del bidón siempre con cuidado.
- ▶ Almacene el combustible en un espacio bien ventilado y seco.

1. Prepare únicamente la mezcla de combustible necesaria para el consumo de unos cuantos días.
2. Limpie de vez en cuando el depósito de combustible.



Anomalía	Posible causa	Solución
El disco tronzador se vuelve más lento al cortar o se para del todo.	Se está ejerciendo demasiada presión al cortar (el disco tronzador se atasca en el corte) o lateralmente sobre el disco tronzador.	► Reduzca la presión de corte y guíe el producto en línea recta.
	El disco tronzador no está correctamente montado y sujetado.	► Compruebe el montaje y el par de apriete.
	Se ha ajustado un sentido de giro incorrecto.	► Monte el disco tronzador.  61
	La parte delantera del brazo de la sierra no está fijada.	► Encargue la reparación del producto al Servicio Técnico de Hilti .
Vibración elevada, el corte se desvía.	El disco tronzador no está correctamente montado y sujetado.	► Compruebe el montaje y el par de apriete.
	El disco tronzador está dañado (especificación inadecuada, fisuras, faltan segmentos, doblado, sobrecalentado, deformado, etc.).	► Cambie el disco tronzador.
	El casquillo de centrado está montado incorrectamente.	► Compruebe si el tamaño del taladro de alojamiento del disco tronzador coincide con el tope de centrado del casquillo de centrado.
La amoladora tronzadora no arranca o lo hace con dificultad.	Depósito de combustible vacío (no hay combustible en el carburador).	► Llene el depósito de combustible del producto.  60
	El filtro de aire presenta suciedad.	► Cambie el filtro de aire.
	Motor ahogado (bujía mojada).	► Seque la bujía y la cámara del cilindro (desmonte la bujía).
	Mezcla de combustible incorrecta.	► Vacíe y enjuague el depósito y la manguera de combustible. ► Llene el depósito de combustible con un combustible adecuado.
	Aire en el conducto de combustible (no hay combustible en el carburador).	► Purgue el conducto de combustible accionando varias veces la bomba de aspiración de combustible.
	El filtro de combustible presenta suciedad (no hay combustible en el carburador o hay muy poco).	► Limpie el depósito de combustible y cambie el filtro de combustible.
	No hay chispa de encendido o esta es muy débil (con la bujía desmontada).	► Elimine los restos de combustión de la bujía. ► Compruebe la distancia entre electrodos y ajústela. ► Cambie la bujía. ► Compruebe la bobina de encendido, los cables, las conexiones enchufables y los interruptores, y sustituya las piezas defectuosas, si las hay.
	La compresión es demasiado baja.	► Compruebe la compresión del motor y en caso necesario sustituya las piezas desgastadas (aros de pistones, pistones, cilindros, etc.).



Anomalia	Posible causa	Solución
La amoladora tronzoadora no arranca o lo hace con dificultad.	Temperatura ambiente demasiado baja.	► Caliente la amoladora tronzoadora poco a poco hasta alcanzar la temperatura ambiente y repita la operación de arranque.
	La rejilla de protección contra chispas o la salida del escape se encuentran sucias.	► Limpie la rejilla de protección contra chispas o la salida del escape.
	La válvula de descompresión funciona con dificultad.	► Devuelva la movilidad a la válvula.
Baja potencia de motor o de corte.	El filtro de aire presenta suciedad.	► Cambie el filtro de aire.
	No hay chispa de encendido o esta es muy débil (con la bujía desmontada).	<ul style="list-style-type: none"> ► Elimine los restos de combustión de la bujía. ► Compruebe la distancia entre electrodos y ajústela. ► Cambie la bujía. ► Compruebe la bobina de encendido, los cables, las conexiones enchufables y los interruptores, y sustituya las piezas defectuosas, si las hay.
	Mezcla de combustible incorrecta.	<ul style="list-style-type: none"> ► Vacíe y enjuague el depósito y la manguera de combustible. ► Llene el depósito de combustible con un combustible adecuado.
	Especificación inadecuada del disco tronzoador para el material que debe cortarse.	► Cambie el disco tronzoador o consulte al Servicio Técnico de Hilti .
	La correa de accionamiento o el disco tronzoador se resbalan.	<ul style="list-style-type: none"> ► Compruebe la fijación del disco. ► Encargue la reparación del producto al Servicio Técnico de Hilti.
	La compresión es demasiado baja.	► Compruebe la compresión del motor y en caso necesario sustituya las piezas desgastadas (aros de pistones, pistones, cilindros, etc.).
	Trabajos a una altitud superior a los 1500 m sobre el nivel del mar.	► Lleve el carburador al Servicio Técnico de Hilti para su ajuste.
	La proporción de la mezcla no es óptima (combustible/mezcla de aire).	► Lleve el carburador al Servicio Técnico de Hilti para su ajuste.
El disco tronzoador no se detiene en la marcha en vacío.	Velocidad de giro en vacío demasiado elevada.	► Compruebe la velocidad de giro en vacío y ajústela si es necesario.
	Posición de aceleración media bloqueada.	► Afloje la posición de aceleración media.
	Error en el embrague centrífugo.	► Cambie el embrague centrífugo.
El disco tronzoador no gira.	Tensión de correa insuficiente o rotura de correa.	► Encargue la reparación del producto al Servicio Técnico de Hilti .
La unidad del arrancador no funciona.	Las garras del acoplamiento no están engranadas.	► Limpie las garras del acoplamiento para que recuperen la movilidad.
	Cable arrancador roto	► Sustituya el cable arrancador.



Los productos **Hilti** están fabricados en su mayor parte con materiales reutilizables. La condición para dicha reutilización es una separación adecuada de los materiales. En muchos países, **Hilti** recoge las herramientas usadas para su recuperación. Pregunte en el Servicio de Atención al Cliente de **Hilti** o a su asesor de ventas.

Lodo de perforación

El vertido de lodo de perforación sin un tratamiento previo adecuado en el agua o en un sistema canalizado puede resultar perjudicial para el medio ambiente.

- ▶ Consulte a las autoridades locales para informarse sobre la normativa actual vigente.

Recomendamos el siguiente procedimiento previo:

- ▶ Acumule el lodo de perforación (por ejemplo, con el aspirador de líquidos).
- ▶ Deje que el lodo de perforación se sedimente y evacúe la parte sólida en un lugar de depósito de escombros (los agentes de floculación pueden acelerar el proceso de separación).
- ▶ Se deberá neutralizar el agua antes de conducir el agua restante (valor pH>7, básico) en la canalización. Para ello, añada agente neutralizador ácido o diluya con mucha agua.

11 Más información

Encontrará información adicional sobre manejo, técnica, medio ambiente y reciclaje en el siguiente enlace: qr.hilti.com/manual/?id=2364461

Encontrará este enlace también al final del manual de instrucciones como código QR.

12 Garantía del fabricante

- ▶ Si tiene alguna consulta acerca de las condiciones de la garantía, póngase en contacto con su sucursal local de **Hilti**.

12.1 Declaración de garantía federal de control de emisiones

Sus derechos y obligaciones en relación con la garantía

La Agencia de Protección Ambiental de Estados Unidos (EPA), la Junta de Recursos del Aire de California (CARB) y **Hilti** se complacen en explicarle la garantía de los sistemas de control de emisiones aplicable a su motor pequeño de uso fuera de carretera. En EE. UU. y Canadá, los motores pequeños de uso fuera de carretera deben estar diseñados, fabricados y equipados para cumplir con las estrictas normas anticontaminación federales. El motor del equipo no debe presentar defectos materiales ni de mano de obra que ocasionen el incumplimiento de las normas de la EPA estadounidense durante los dos primeros años a partir de la fecha de venta al comprador final. **Hilti** debe garantizar el sistema de control de emisiones de su motor pequeño de uso fuera de carretera durante los periodos de tiempo especificados anteriormente, siempre que no haya existido ningún abuso, negligencia o mantenimiento inadecuado de la unidad. Su sistema de control de emisiones incluye piezas como el carburador y el sistema de encendido. Cuando exista una condición cubierta por la garantía, **Hilti** se lo reparará sin coste alguno. Los gastos cubiertos por la garantía incluyen los diagnósticos, las piezas y la mano de obra.

Cobertura de la garantía del fabricante

Todos los motores pequeños de uso fuera de carretera de 2001 y posteriores están garantizados para cumplir con los requisitos aplicables de la EPA y la CARB durante dos años. Si alguna pieza relacionada con las emisiones de su motor (como se especifica más arriba) es defectuosa, la pieza será reparada o cambiada por **Hilti**.

Responsabilidades del propietario en relación con la garantía

Como propietario de un motor pequeño de uso fuera de carretera, usted es responsable de realizar el mantenimiento necesario tal y como indica **Hilti** en el manual del propietario. **Hilti** recomienda conservar todos los recibos correspondientes al mantenimiento de su motor pequeño de uso fuera de carretera, pero **Hilti** no puede anular la garantía únicamente por no conservar los recibos o por la no realización de todo el mantenimiento programado. Puede utilizarse cualquier pieza de recambio o servicio que tenga un rendimiento y una durabilidad equivalentes en reparaciones y mantenimiento no cubiertos por la garantía, sin que por ello se reduzcan las obligaciones del fabricante del motor en relación con la garantía. No obstante, como propietario del equipo pequeño de uso fuera de carretera deberá tener en cuenta que **Hilti** puede anular la cobertura de la garantía si su motor pequeño de uso fuera de carretera o una pieza de él se ha averiado a causa de un abuso, una negligencia, un mantenimiento inadecuado, una modificación no aprobada o el uso de piezas no fabricadas o aprobadas por el fabricante del equipo original. Usted es



responsable de llevar el motor pequeño de uso fuera de carretera a Hilti tan pronto como surja el problema. Las reparaciones en garantía deben ser realizadas en un plazo de tiempo razonable, sin superar los 30 días.

Cobertura

Hilti le garantiza al comprador final y a los compradores siguientes que el motor pequeño del equipo de uso fuera de carretera se ha diseñado, fabricado y equipado, en el momento de la venta, para cumplir con todos los reglamentos aplicables. Hilti también garantiza al comprador inicial y a los compradores siguientes que las piezas en garantía relacionadas con las emisiones no presentan defectos materiales ni de mano de obra que puedan causar que el motor incumpla los reglamentos aplicables durante un período de dos años. Estos períodos de garantía comenzarán en la fecha de compra del motor pequeño del equipo de uso fuera de carretera por el comprador inicial. Si alguna pieza relacionada con las emisiones de su motor es defectuosa durante este período de garantía, la pieza será cambiada por Hilti sin coste alguno para el propietario. Hilti solucionará los defectos de piezas en garantía en cualquier centro técnico o de reparación de Hilti. Las reparaciones autorizadas realizadas en un centro técnico o de reparación de Hilti autorizado serán gratuitas para el propietario si se determina que la pieza garantizada es defectuosa. Pueden utilizarse piezas de recambio aprobadas por el fabricante o equivalentes para cualquier servicio de mantenimiento o reparación de las piezas relacionadas con las emisiones y deben proporcionarse de forma gratuita al propietario si la pieza aún está en garantía. Hilti es responsable de los daños a otros componentes del motor que sean causados por la avería de una pieza garantizada que aún esté en garantía. La relación de piezas de la garantía de emisiones de la Junta de Recursos del Aire de California define específicamente las piezas garantizadas relacionadas con las emisiones. Estas son las piezas garantizadas: el conjunto del carburador, el conjunto de la bobina, el rotor, la bujía, el filtro de aire, el filtro de combustible, el colector del respirador y las juntas.

Requisitos de mantenimiento

El propietario es responsable de realizar el mantenimiento necesario tal y como indica Hilti en el manual del propietario.

Limitaciones

La garantía de sistemas de control de emisiones no cubrirá lo siguiente: a) las reparaciones o las sustituciones que se deriven de un mal uso, una negligencia o un mantenimiento inadecuado, b) las reparaciones mal realizadas o las sustituciones no conformes con las especificaciones de Hilti que hayan afectado negativamente al rendimiento y la durabilidad, y las alteraciones o modificaciones no recomendadas ni aprobadas por escrito por Hilti, y c) la sustitución de piezas y otros servicios y ajustes necesarios para el mantenimiento durante y después del primer punto de sustitución programado. Salvo lo estipulado anteriormente, se aplican los términos de la garantía establecidos más adelante en la sección 12.

12.2 Garantía del fabricante

Hilti garantiza que reparará o cambiará cualquier pieza que contenga un defecto material y de mano de obra durante 20 años a partir de la fecha de compra original. Esta garantía se otorga a condición de que la herramienta sea utilizada, manejada, limpiada y revisada correctamente y de conformidad con el manual de instrucciones de Hilti, y de que el sistema técnico sea salvaguardado. Esto significa que se pueden utilizar en la herramienta exclusivamente consumibles, componentes y piezas de recambio originales de Hilti.

Esta garantía abarca la reparación o la sustitución gratuitas de las piezas defectuosas durante toda la vida útil de la herramienta. La garantía no cubre las piezas sometidas a un desgaste normal.

Quedan excluidas otras condiciones que no sean las expuestas, siempre que esta condición no sea contraria a las prescripciones nacionales vigentes. Hilti no acepta la responsabilidad especialmente relativa a deterioros, pérdidas o gastos directos, indirectos, accidentales o consecutivos, en relación con la utilización o a causa de la imposibilidad de utilización de la herramienta para cualquiera de sus finalidades. Quedan excluidas en particular todas las garantías tácitas relacionadas con la utilización y la idoneidad para una finalidad precisa.

Para cualquier reparación o sustitución, le rogamos que contacte con Hilti inmediatamente después de constatar el defecto en:

En EE. UU.:

800.879.8000

Hilti Inc.

7250 Dallas Parkway, Suite 1000

Plano, TX 75024

CS.InboundUS@hilti.com

En Canadá:

800.343.4458

Hilti (Canada) Corporation

2360 Meadowpine Blvd




Estas son las únicas obligaciones de **Hilti** en materia de garantía, las cuales anulan toda declaración anterior o contemporánea, del mismo modo que todos los acuerdos orales o escritos en relación con las garantías.

Manual de instruções original

1 Indicações sobre o Manual de instruções

1.1 Relativamente a este Manual de instruções

- **Aviso!** Antes de utilizar o produto, certifique-se de que leu e compreendeu o Manual de instruções fornecido com o produto incluindo as instruções, instruções de segurança e advertências, figuras e especificações. Familiarize-se sobretudo com todas as instruções, instruções de segurança e advertências, figuras, especificações, bem como com componentes e funções. Em caso de incumprimento existe perigo de choque eléctrico, incêndio e/ou ferimentos graves. Guarde o Manual de instruções incluindo todas as instruções, instruções de segurança e advertências para utilização posterior.
- Os produtos **HILTI** destinam-se ao utilizador profissional e só podem ser operados, mantidos e reparados por pessoal autorizado, devidamente qualificado. Estas pessoas deverão estar informadas em particular sobre os potenciais perigos. O produto e seu equipamento auxiliar podem representar perigo se usados incorrectamente por pessoas não qualificadas ou se usados para fins diferentes daqueles para os quais foram concebidos.
- O Manual de instruções fornecido corresponde ao actual avanço tecnológico no momento da impressão. Encontra a versão actual sempre online, na página de produtos Hilti. Para o efeito, siga a hiperligação ou o código QR neste Manual de instruções, identificado com o símbolo .
- Entregue o produto a outras pessoas apenas juntamente com o Manual de instruções.

1.2 Explicação dos símbolos

1.2.1 Advertências

As advertências alertam para perigos durante a utilização do produto. São utilizadas as seguintes palavras de aviso:

PERIGO

PERIGO !

- ▶ Indica perigo iminente que pode originar acidentes pessoais graves ou até mesmo fatais.

AVISO

AVISO !

- ▶ Indica um possível perigo que pode causar graves ferimentos pessoais, até mesmo fatais.




CUIDADO

CUIDADO !

- ▶ Indica uma situação potencialmente perigosa que pode originar ferimentos corporais ou danos materiais.

1.2.2 Símbolos no manual de instruções

Neste manual de instruções são utilizados os seguintes símbolos:

	Consultar o manual de instruções
	Instruções de utilização e outras informações úteis
	Manuseamento com materiais recicláveis



	Não deitar as ferramentas eléctricas e baterias no lixo doméstico
--	---

1.2.3 Símbolos nas figuras

Em figuras são utilizados os seguintes símbolos:

2	Estes números remetem para a figura respectiva no início do presente manual de instruções.
3	A numeração nas imagens indica passos de trabalho importantes ou componentes importantes para os passos de trabalho. No texto, estes passos de trabalho ou componentes são realçados com os respectivos números, p. ex. (3) .
11	Na figura Vista geral são utilizados números de posição que fazem referência aos números da legenda na secção Vista geral do produto .
	Este símbolo pretende despertar a sua atenção durante o manuseamento do produto.

1.3 Símbolos dependentes do produto

1.3.1 Símbolos no produto

No produto são utilizados os seguintes símbolos:

	AVISO! Deve ler e respeitar todas as indicações de segurança no manual de instruções. A não observação destas instruções pode dar origem a ferimentos graves ou fatais.
	Seta indicadora do sentido de rotação na capa de protecção
	Posição Travão do motor
	Posição Motor a funcionar
P	Bomba de arranque
H	Parafuso de ajuste do bico de velocidade máxima
L	Parafuso de ajuste do bico de ralenti
T	Parafuso de ajuste para funcionamento em vazio
	Sentido de rotação de abertura da tampa do depósito
	Transferência de dados sem fios
	Mistura combustível
/min	Rotação
RPM	Rotações por minuto
	Diâmetro

1.3.2 Símbolos de perigo

No produto são utilizados os seguintes símbolos de perigo:

	Perigo geral
	Perigo devido a voo de faíscas
	Aviso relativo à inalação de vapores e gases tóxicos



	Perigo de coice
	Perigo devido a superfície quente
	Velocidade de rotação máxima do pino

1.3.3 Sinais de obrigação

No produto são utilizados os seguintes sinais de obrigação:

	Utilizar protecção auricular, óculos de protecção, máscara antipoeiras e capacete de protecção
	Use luvas de protecção
	Calce botas de segurança

1.3.4 Sinais de proibição

No produto são utilizados os seguintes sinais de proibição:

	Não utilizar discos de corte dentados
	Não utilizar discos de corte danificados
	Proibido fumar e manusear fogo aberto

2 Segurança

2.1 Normas gerais de segurança

⚠ AVISO Leia todas as normas de segurança, instruções, imagens e dados técnicos, com os quais este produto está equipado. Omissões no cumprimento das seguintes instruções pode resultar em ferimentos graves ou morte.

Guarde bem todas as normas de segurança e instruções para futura referência.

2.2 Segurança física

- ▶ Utilize o produto certo. Não utilize o produto para fins para os quais não foi concebido, mas sim de acordo com a finalidade a que se destina e apenas se estiver completamente operacional do ponto de vista técnico.
- ▶ Nunca efectue quaisquer manipulações ou modificações no produto.
- ▶ O produto só pode ser utilizado por pessoas que estão familiarizadas com o mesmo, instruídas quanto à sua utilização segura e que estão cientes dos perigos daí resultantes. O produto não foi concebido para ser utilizado por crianças.
- ▶ Esteja atento ao que está a fazer e tenha prudência ao trabalhar com o produto. Não utilize o produto se estiver cansado ou sob influência de drogas, álcool ou medicamentos. Um momento de distração durante a utilização do produto pode causar ferimentos graves.
- ▶ Não exerça força excessiva sobre a ferramenta de corte. Utilize a ferramenta de corte certa para a respectiva aplicação. A ferramenta de corte correcta permite que os trabalhos sejam realizados de forma mais eficiente e segura, à velocidade de trabalho para a qual a ferramenta de corte foi construída.
- ▶ Outras ferramentas de corte, que não as descritas nesta documentação, não devem ser utilizadas.
- ▶ No corte molhado não utilize discos de corte ligados sinteticamente, excepto os especificados para o efeito pelo fabricante dos discos de corte.
- ▶ Não devem ser utilizados quaisquer redutores e/ou escovas circulares de pontas torcidas.
- ▶ O utilizador e restantes pessoas que se encontrem na proximidade do produto devem usar óculos de protecção aprovados em conformidade com a norma ANSI Z87.1, capacete de segurança, protecção auricular, luvas de protecção, calçado de protecção e uma protecção respiratória adequada.



- ▶ Antes da utilização do produto ou no caso de durante o trabalho bater contra um obstáculo, verifique se o resguardo ficou danificado. Os resguardos danificados ou quebrados devem ser imediatamente substituídos.
- ▶ Certifique-se de que existem à disposição meios de extinção de incêndios, pois existe perigo de incêndio devido à formação de faíscas durante o trabalho e à utilização de combustível.
- ▶ Pó produzido ao rectificar, lixar, cortar e furar pode conter produtos químicos perigosos. Alguns exemplos são: Chumbo ou tintas à base de chumbo; Tijolo, betão e outros produtos de alvenaria, pedra natural e outros produtos que contenham silicatos; Determinadas madeiras, como carvalho, faia e madeira tratada quimicamente; Amianto ou materiais contendo amianto. Determine a exposição do operador e das pessoas que se encontrem nas proximidades através da classe de perigo dos materiais a serem trabalhados. Tome as medidas necessárias para manter a exposição a um nível seguro como, por ex., a utilização de um sistema colector de pó ou o uso de uma protecção respiratória adequada. As medidas gerais para redução da exposição incluem:
 - ▶ Trabalhar num local bem ventilado,
 - ▶ Evitar o contacto prolongado com pó,
 - ▶ Afastar o pó do rosto e do corpo,
 - ▶ Usar roupa de protecção e lavar áreas expostas com água e sabão.
- ▶ Segure o produto sempre com as duas mãos nos punhos previstos para o efeito. Mantenha os punhos limpos, secos e isentos de óleo e gordura.
- ▶ Se a velocidade de rotação aumentar involuntariamente, coloque o interruptor de arranque/paragem para a posição de paragem. Contacte o Centro de Assistência Técnica **Hilti**.
- ▶ Desligue imediatamente a ferramenta de corte a gasolina com o interruptor de arranque/paragem, caso o cabo do acelerador do carro-guia ou a alavanca do acelerador fiquem presos.
- ▶ Nunca deve utilizar o produto sem o resguardo. Ajuste o resguardo correctamente. Tem de estar bem fixo e posicionado de modo a oferecer a protecção máxima e de forma que o mínimo possível da parte desprotegida do disco de corte esteja virada para o utilizador. Certifique-se de que as faíscas originadas pela utilização não representam qualquer perigo. O resguardo do disco serve para proteger o utilizador contra fragmentos de discos de corte partidos, contacto involuntário com o disco de corte, assim como de projecção descontrolada de faíscas.
- ▶ Evite o contacto com peças rotativas - Perigo de ferimentos!
- ▶ Mantenha sempre uma posição correcta, em perfeito equilíbrio. Desta forma será mais fácil manter o controlo sobre o produto em situações inesperadas. Evite posturas corporais desfavoráveis. Segure o produto durante a utilização de tal forma que o pó, o voo de faíscas e eventuais fragmentos do acessório ou da peça a trabalhar não atinjam o seu corpo. Não se incline sobre o disco de corte.
- ▶ Use roupa apropriada. Não use roupa larga ou jóias. Mantenha o cabelo, vestuário e luvas afastados das peças móveis. Roupas largas, jóias ou cabelos compridos podem ficar presos nas peças móveis.
- ▶ Se o produto ou o disco de corte cair ao chão, verifique-o quanto a danos. Se necessário, substitua o disco de corte.
- ▶ Desligue o produto, antes de ajustar o resguardo ou substituir o disco de corte.
- ▶ Também deve usar luvas de protecção durante a substituição de acessórios. Tocar no disco de corte pode causar ferimentos por corte e queimaduras.
- ▶ Evite o contacto da pele com a lama que se forma durante o processo de corte com água.
- ▶ Não pode ser cortado material contendo amianto.
- ▶ Materiais facilmente inflamáveis, como, por exemplo, magnésio ou madeira, não podem ser cortados ou trabalhados.
- ▶ Faça pausas para relaxar os músculos e melhorar a circulação sanguínea nas mãos. Ao trabalhar durante períodos mais prolongados, as vibrações podem causar perturbações nos vasos sanguíneos ou no sistema nervoso nos dedos, mãos ou pulsos.
- ▶ Antes de iniciar os trabalhos, informe-se junto do engenheiro, arquitecto ou responsável pelo projecto. As aberturas (roços) em paredes estruturais ou outras estruturas podem influenciar a estática da estrutura, especialmente quando se cortam vigas de reforço ou outros componentes de suporte.
- ▶ Ao realizar trabalhos de perfuração, vede a área que se encontra do lado oposto dos trabalhos. Restos de demolição podem desprender-se e/ou cair e ferir outras pessoas.
- ▶ Não deixe o produto a funcionar sem supervisão.
- ▶ Desligue o motor e aguarde até que o disco de corte pare completamente, antes de pousar o produto no chão, de o transportar para a próxima posição de trabalho ou de o transportar.
- ▶ Mesmo que opere o seu produto sem bomba de água externa, a cobertura da bomba tem sempre de estar montada.
- ▶ Depois da utilização, desligue o produto.



- ▶ Faça uma manutenção cuidadosa do produto. Verifique se há peças quebradas ou danificadas, que possam influenciar o funcionamento do produto. As peças danificadas devem ser reparadas antes da utilização do produto.
- ▶ Utilize apenas acessórios e ferramentas originais da **Hilti**, de forma a reduzir ferimentos.
- ▶ O seu produto só deve ser reparado por pessoal qualificado e só devem ser utilizadas peças sobresselentes originais. Desta forma é possível assegurar que a segurança do produto se mantém.
- ▶ Respeite os requisitos nacionais de segurança no trabalho.
- ▶ Com o motor a trabalhar, evite o contacto com os cabos de ignição ou o conector da vela de ignição. Desligue sempre o motor quando substitui velas de ignição ou realiza inspecções no sistema de ignição ou componentes do sistema de ignição.

2.3 Segurança eléctrica

- ▶ Antes de iniciar os trabalhos, verifique o local de trabalho relativamente a cabos eléctricos encobertos, bem como tubos de gás e água. Partes metálicas externas do produto podem causar um choque eléctrico se, inadvertidamente, danificarem uma linha eléctrica.
- ▶ Organize o trabalho a ser realizado com antecedência, depois de investigar o local de intervenção. Verifique se é necessário colocar sinais de aviso e definir uma distância de trabalho em relação a outras pessoas.

2.4 Segurança no local de trabalho

- ▶ Assegure-se de que o local de trabalho está bem iluminado.
- ▶ Não trabalhe em espaços fechados. Monóxido de carbono, hidrocarbonetos não queimados e benzol nos gases de escape podem conduzir à asfixia.
- ▶ Mantenha o seu local de trabalho arrumado. Mantenha o local de trabalho livre de quaisquer objectos que possam provocar ferimentos. O desleixo no local de trabalho pode causar acidentes.
- ▶ As faíscas quentes que se encontram nos gases de escape ou que são produzidas pelo processo de corte, podem provocar incêndios e/ou explosões. Certifique-se de que as faíscas produzidas não incendeiam materiais inflamáveis (gasolina, erva seca, etc.) ou explosivos (gás, etc.).
- ▶ Monte o depósito da água cheio apenas com a ferramenta de corte montada no carro-guia. Isto evita que o carro-guia tombe.
- ▶ Não pouse o produto e o carro-guia sobre uma superfície inclinada. Tenha sempre atenção a uma posição segura do produto e do carro-guia.
- ▶ Depois da montagem da bomba de água, assegure-se de que os parafusos estão apertados com o torque de aperto recomendado.
- ▶ Antes da montagem da bomba de água, assegure-se de que não é excedida a pressão máxima permitida da água de 87 psi.

2.5 Líquidos (gasolina e óleo) e vapores

- ▶ A inalação de vapores de gasolina e o contacto com a gasolina podem representar perigo para a saúde.
 - ▶ Evite o contacto directo da pele com a gasolina. Use luvas de protecção.
 - ▶ Se sujar a sua roupa com combustível, mude obrigatoriamente de roupa.
 - ▶ Providencie um bom arejamento do local de trabalho de modo a evitar a inalação de vapores de gasolina.
 - ▶ Utilize um depósito do combustível em conformidade com as regulamentações.
- ▶ Não abasteça o produto enquanto o motor estiver a funcionar. Aguarde até que o motor arrefeça.
- ▶ Nunca fume durante o abastecimento, existe risco de incêndio e de explosão.
- ▶ Não abasteça o produto dentro da área de trabalho (no mínimo, 3 m/10 pés de distância do local de trabalho). Ao abastecer tenha atenção para que não haja derrame de combustível. Utilize um funil adequado.
- ▶ Evite a inalação de vapores de gasolina e gases de escape. Tenha em atenção uma ventilação suficiente.
- ▶ Não utilize a gasolina ou outros líquidos inflamáveis para trabalhos de limpeza.

2.6 Normas de segurança para cortadoras por abrasão

- ▶ **O resguardo de disco pertencente à ferramenta eléctrica tem de estar bem colocado e ajustado de modo a se conseguir um máximo de segurança, ou seja, a parte mais pequena possível do rebolo aponta directamente para o operador. Mantenha-se a si e a pessoas que se encontram**



nas proximidades fora do plano do disco de corte em rotação. O resguardo de disco deve proteger o operador de fragmentos e contacto accidental com o rebolo.

- ▶ **Utilize exclusivamente discos de corte ligados reforçados ou diamantados para a sua ferramenta eléctrica.** O simples facto de poder fixar o acessório na sua ferramenta eléctrica não garante uma utilização segura.
- ▶ **A velocidade permitida do acessório deve estar dimensionada para, no mínimo, a velocidade máxima que consta na ferramenta eléctrica.** Acessórios que rodam a uma velocidade superior à permitida podem fragmentar-se e ser projectados.
- ▶ **Rebolos só podem ser utilizados para as possibilidades de aplicação recomendadas. Por exemplo: nunca rebarbe com a superfície lateral de um disco de corte.** Discos de corte destinam-se à abrasão de material com o rebordo do disco. A aplicação lateral de força sobre estes rebolos pode parti-los.
- ▶ **Utilize sempre flanges de aperto não danificados, com a dimensão e forma apropriadas para o disco de rebarbar por si escolhido.** Flanges adequados apoiam o disco de rebarbar e reduzem assim o risco de quebra do disco.
- ▶ **Não utilize discos de rebarbar gastos, de ferramentas eléctricas maiores.** Discos de rebarbar para ferramentas eléctricas maiores não estão dimensionados para as velocidades mais elevadas de ferramentas eléctricas mais pequenas, podendo partir.
- ▶ **Diâmetro exterior e espessura do acessório devem corresponder às dimensões da sua ferramenta eléctrica.** Acessórios mal dimensionados não podem ser resguardados ou controlados o suficiente.
- ▶ **Discos de rebarbar e falanges devem ajustar-se de forma exacta ao veio da sua ferramenta eléctrica.** Acessórios que não se ajustam exactamente ao veio da ferramenta eléctrica, rodam de forma irregular, vibram fortemente e podem levar à perda de controlo.
- ▶ **Não utilize discos de rebarbar danificados. Examine os discos de rebarbar em relação a fragmentos e fissuras antes de cada utilização. Se a ferramenta eléctrica ou o disco de rebarbar cair, verifique se ficou danificada(o) ou utilize um disco de rebarbar intacto. Quando tiver examinado e montado o disco de rebarbar, coloque-se a si e a pessoas que se encontrem nas proximidades fora do plano do disco de rebarbar em rotação e deixe trabalhar a ferramenta durante um minuto à velocidade máxima.** A maioria dos discos de rebarbar danificados quebram-se durante este período de ensaio.
- ▶ **Use equipamento de segurança. Use máscara protectora integral, guarda-vista ou óculos de protecção consoante a aplicação. Desde que adequado, use máscara antipoeiras, protecção auricular, luvas de protecção ou avental especial para manter pequenas partículas de abrasão e de material afastadas de si.** Os olhos devem ser protegidos de objectos estranhos projectados que são produzidos em diversas aplicações. As máscaras antipoeiras ou respiratórias devem filtrar as poeiras que são produzidas durante a utilização. Se estiver exposto durante muito tempo a ruído intenso, poderá vir a sofrer de perda de audição.
- ▶ **Assegure-se de que outras pessoas se mantêm afastadas o suficiente da sua zona de trabalho. Cada pessoa que entrar na zona de trabalho tem de usar equipamento de protecção individual.** Fragmentos da peça a trabalhar ou dos acessórios partidos podem ser projectados e provocar ferimentos mesmo para além da zona de trabalho directa.
- ▶ **Nunca pouse a ferramenta eléctrica enquanto o acessório não estiver completamente parado.** O acessório em movimento pode entrar em contacto com a superfície de apoio, levando-o a perder o controlo sobre a ferramenta eléctrica.
- ▶ **Não deixe a ferramenta eléctrica a funcionar enquanto a transporta.** A sua roupa pode ser agarrada devido a contacto accidental com o acessório em movimento e este perfurar o corpo.
- ▶ **Limpe regularmente as saídas de ar da sua ferramenta eléctrica.** O ventilador do motor aspira poeiras para dentro da carcaça, podendo originar perigos de origem eléctrica devido a uma forte acumulação de pós metálicos.
- ▶ **Não utilize a ferramenta eléctrica na proximidade de materiais inflamáveis.** Faíscas podem inflamar tais materiais.
- ▶ **Não utilize quaisquer acessórios que exijam líquidos de refrigeração.** A utilização de água ou outros líquidos de refrigeração pode resultar num choque eléctrico.

Normas de segurança em caso de coice

O coice é a reacção repentina em consequência de um disco de rebarbar preso ou bloqueado. A prisão ou bloqueio ocasiona uma paragem súbita do acessório em movimento. Isto faz com que uma ferramenta eléctrica descontrolada seja acelerada no ponto do bloqueio contra o sentido de rotação do acessório.

Quando, por ex., um disco de rebarbar prende ou fica bloqueado numa peça, o rebordo do disco que mergulha na peça pode encravar-se e o disco fugir ou provocar assim um coice. O disco de rebarbar move-se então no sentido do operador ou afasta-se dele, conforme o sentido de rotação do disco no ponto do bloqueio. Isto também pode levar à quebra dos discos de rebarbar.



Um coice é a consequência de uma utilização incorrecta ou deficiente da ferramenta eléctrica. Este pode ser evitado através de medidas de precaução adequadas, como descrito a seguir.

- ▶ **Agarre bem a ferramenta eléctrica e coloque o seu corpo e os seus braços numa posição em que poderá absorver as forças do coice. Utilize sempre o punho adicional, caso exista, para ter o máximo controlo possível sobre as forças do coice ou os torques de reacção durante o arranque.** O operador pode dominar as forças do coice e de reacção através de medidas de precaução adequadas.
- ▶ **Nunca coloque a sua mão na proximidade de acessórios em movimento.** O acessório pode, em caso de coice, atravessar a sua mão.
- ▶ **Evite a zona à frente e atrás do disco de corte em movimento.** O coice propuliona a ferramenta eléctrica no sentido oposto ao do movimento do disco de rebarbar no ponto do bloqueio.
- ▶ **Trabalhe com particular precaução perto de cantos, arestas vivas, etc. Evite que acessórios ressaltem da peça e encravem.** O acessório em movimento tem a tendência de se encravar em cantos, arestas vivas ou quando ressalta, o que provoca uma perda de controlo ou coice.
- ▶ **Não utilize um disco com corrente ou dentado, nem um disco diamantado segmentado com fendas de largura superior a 10 mm.** Acessórios deste tipo provocam frequentemente um coice ou a perda do controlo sobre a ferramenta eléctrica.
- ▶ **Evite o bloqueio do disco de corte ou força de encosto excessiva. Não execute cortes excessivamente fundos.** Uma sobrecarga do disco de corte aumenta o respectivo esforço e a predisposição para encravar ou bloquear e, assim, a possibilidade de um coice ou quebra do rebolo.
- ▶ **Caso o disco de corte encrave ou o trabalho seja interrompido, desligue a ferramenta e segure-a quieta, até o disco estar imobilizado. Nunca tente puxar o disco ainda em rotação para fora do corte, pois isso pode causar um coice.** Determine e corrija a causa para o encravar do disco.
- ▶ **Não volte a ligar a ferramenta eléctrica enquanto esta se encontrar encravada na peça. Deixe que o disco de corte atinja primeiro a sua velocidade plena, antes de prosseguir, com precaução, o corte.** Caso contrário, o disco pode prender, saltar da peça ou provocar um coice.
- ▶ **Escore placas ou peças grandes, de modo a diminuir o risco de um coice devido a um disco de corte encravado.** Peças grandes podem flectir sob o seu próprio peso. A peça tem de ser escorada de ambos os lados do disco, tanto na proximidade do corte de separação como também na borda.
- ▶ **Tenha particular atenção no caso de "cortes de entalhe" em paredes existentes ou noutras áreas não inspecionáveis.** Ao mergulhar na peça, o disco de corte pode provocar um coice durante o corte em tubagens de gás ou água, cabos eléctricos ou outros objectos.

2.7 Transporte e armazenamento

- ▶ Desligue o produto antes de o transportar.
- ▶ Depois da utilização do produto, retire o disco de corte. O disco de corte pode danificar-se durante o transporte com o disco de corte montado.
- ▶ Manuseie cuidadosamente dos discos de corte e guarde-os de acordo com as instruções do fabricante.
- ▶ Armazene e transporte o produto sempre na vertical e não deitado de lado.
- ▶ Não transporte o carro-guia e o produto em conjunto. Retire o depósito da água antes de transportar o carro-guia.
- ▶ O produto e o carro-guia não devem ser transportados com uma grua.
- ▶ Guarde os produtos não utilizados num local seguro. Produtos que não estejam a ser utilizados, devem ser guardados num local seco, alto ou fechado, fora do alcance das crianças.
- ▶ Ao pousar o produto, tenha atenção a uma posição segura do mesmo.
- ▶ Após a utilização do produto, primeiro deixe-o arrefecer antes de o embalar ou cobrir.
- ▶ Armazene a gasolina e óleo num espaço bem ventilado em depósitos de combustível em conformidade com as regulamentações.

2.8 CALIFORNIA PROPOSITION 65



DANGER

Fuels used in gas or oil filled appliances and the product of combustion of such fuels contain chemicals (including Benzene, toluene, xylenes, 1,3 butadiene and formaldehyde) known to the State of California to cause cancer, birth defects or other reproductive harm. **Wash hands after handling!**



2.9 Informações sobre os valores limite de CO₂ medidos

Efetue a manutenção e opere o motor da ferramenta de corte sempre de acordo com as instruções de operação e manutenção que constam neste manual de instruções. Garante assim emissões de gases de escape que permanecem dentro dos valores limite prescritos por lei.

A não observação das instruções de operação e de manutenção descritas neste manual de instruções pode afectar a conformidade do produto com os regulamentos de emissões aplicáveis. O mesmo se aplica a manipulações ou danos no sistema de combustível (p. ex., alimentação, regulação, preparação).

ATENÇÃO

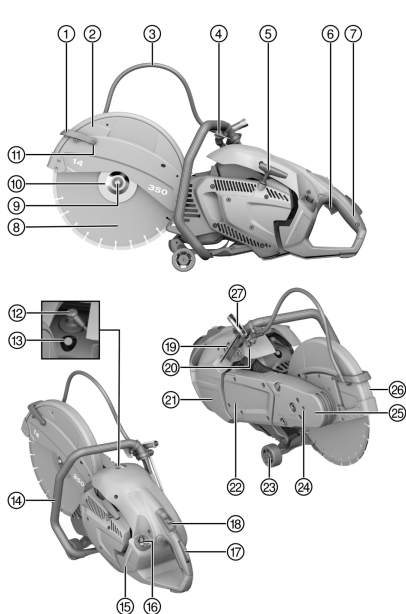
Valores divergentes das emissões de gases de escape Manipulações no motor e/ou sistema de combustível tornam inválida a certificação de emissões UE.

► Manipulações no motor e/ou sistema de combustível não são permitidas.

Encontra os valores determinados na homologação UE para a emissão de CO₂ no capítulo Características técnicas 84.

3 Descrição

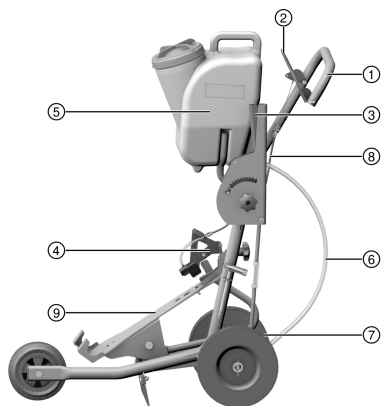
3.1 Ferramenta de corte a gasolina



- ① Arco de água com bicos de água integrados
- ② Cobertura de protecção
- ③ Fornecimento de água
- ④ Válvula da água
- ⑤ Arrancador por cabo
- ⑥ Acelerador
- ⑦ Punho traseiro
- ⑧ Disco de corte
- ⑨ Parafuso de aperto
- ⑩ Flange de aperto
- ⑪ Parafuso de limpeza para o bico de água
- ⑫ Conector da vela de ignição
- ⑬ Válvula de descompressão
- ⑭ Punho dianteiro
- ⑮ Indicador do depósito
- ⑯ Tampa do depósito do combustível
- ⑰ Acelerador de segurança
- ⑱ Interruptor de arranque/paragem do motor com travamento de meio-gás
- ⑲ Bomba de arranque
- ⑳ Ligação para a mangueira da água
- ㉑ Cobertura para filtro do ar
- ㉒ Cobertura da bomba
- ㉓ Roldanas guia
- ㉔ Orifício de travamento para substituição dos discos de corte
- ㉕ Braço de corte
- ㉖ Seta indicadora do sentido de rotação
- ㉗ Ferramenta de montagem



3.2 Carro-guia (acessório) 2



- ① Punho
- ② Acelerador
- ③ Regulação da profundidade de corte
- ④ Depressor
- ⑤ Depósito da água
- ⑥ Ligação para a mangueira da água
- ⑦ Regulação dos eixos
- ⑧ Cabo do acelerador
- ⑨ Porta-máquina

3.3 Utilização conforme a finalidade projectada

O produto descrito é uma ferramenta de corte para cortar asfalto e materiais de construção de origem mineral ou metálica, a seco e com água, à mão ou com carro, com discos de corte abrasivos ou diamantados. Pode ser conduzida manualmente ou montada num carro.

3.4 Recomendações de aplicação

- Trabalhe, preferencialmente, no processo de corte com água, para reduzir a formação de pó ao cortar. Com a bomba de água auto-ferrante (acessório) pode trabalhar de forma independente da rede de água, sugando a água directamente, por exemplo, de um recipiente.
- Não corte a peça a cortar num só ciclo de trabalho, mova a ferramenta de corte, várias vezes, para a frente e para trás, e avance gradualmente até à profundidade de corte pretendida.
- Ao cortar a seco, levante o disco de corte com o produto a trabalhar, a cada 30 a 60 segundos durante aprox. 10 segundos, de forma a prevenir danos no disco de corte diamantado.
- Afie discos de corte diamantados que ficaram embotados (diamantes não estão salientes) cortando em materiais muito abrasivos como arenito ou semelhante.
- Para aplicações extensas da serra de pavimentos, monte a ferramenta de corte no carro-guia (acessório).

3.5 Especificação dos discos de corte

AVISO

Risco de ferimentos. A utilização de discos de corte que não estejam de acordo com a norma ANSI poderá fazer aumentar o risco de ferimentos para o utilizador.

- ▶ Não utilize discos de corte que não estejam de acordo com a norma ANSI existente para discos de corte

Para o produto devem ser utilizados discos de corte diamantados, de acordo com ANSI B7.1. Para o produto também podem ser utilizados discos de corte de resina sintética reforçada a fibra, de acordo com ANSI B7.1 (forma plana, não côncava, tipo cutting-off wheel), para trabalhar materiais de construção de origem metálica. Devem ser tidas em atenção as instruções de utilização e montagem do fabricante dos discos de corte.

3.6 Incluído no fornecimento

Ferramenta de corte a gasolina, manual de instruções.

Poderá encontrar outros produtos de sistema aprovados para o seu produto na sua **Hilti Store** ou em: www.hilti.group



3.7 Material de consumo e peças de desgaste

- Filtro do ar
- Cabo
- Arrancador
- Filtro da gasolina
- Vela de ignição
- Jogo de ferramentas
- Conjunto do cilindro
- Parafuso de fixação completo
- Flange (2 unidades)
- Casquilho de centragem 20 mm/1"

4 Características técnicas

4.1 Características do produto

	DSH 700-X 14"	DSH 900-X 16"
Geração de produtos	04	04
Peso sem disco de corte, depósito vazio	12,1 kg (26,7 lb)	12,4 kg (27,3 lb)
Peso com carro-guia, sem disco de corte, depósito vazio	43,1 kg (95,0 lb)	43,4 kg (95,7 lb)
Velocidade de rotação máxima do pino	5 100 rpm (85,0 Hz)	4 700 rpm (78,3 Hz)
Rotação máxima do disco de corte	5 100 rpm (85,0 Hz)	4 700 rpm (78,3 Hz)
Profundidade de corte máxima	125 mm (4,9 in)	150 mm (5,9 in)
Tipo de motor	Motor a dois tempos/monocilíndrico/refrigerado a ar	Motor a dois tempos/monocilíndrico/refrigerado a ar
Cilindrada	87 cm ³ (5,3 in ³)	87 cm ³ (5,3 in ³)
Potência nominal (ISO 7293)	4,2 kW (5,6 hp)	4,2 kW (5,6 hp)
Velocidade nominal do motor (ISO 7293)	8000 ± 200 rpm	8000 ± 200 rpm
Velocidade de rotação em vazio	2750 ± 250 rpm	2750 ± 250 rpm
Ignição (tipo)	Ponto de ignição de comando electrónico	Ponto de ignição de comando electrónico
Folga dos eléctrodos	0,7 mm (0,03 in)	0,7 mm (0,03 in)
Vela de ignição	Fabricante: NGK, tipo: CMR7A	Fabricante: NGK, tipo: CMR7A
Torque de aperto para a fixação da vela de ignição	12 Nm (9 ftlb.)	12 Nm (9 ftlb.)
Carburador	Fabricante: Walbro; Modelo: WT; Tipo: 1152	Fabricante: Walbro; Modelo: WT; Tipo: 1152
Mistura combustível	Óleo API-TC 2% (1:50)	Óleo API-TC 2% (1:50)
Capacidade do depósito	30,4 oz (900 cm ³)	30,4 oz (900 cm ³)
Orifício de alojamento do disco de corte/diâmetro do flange de centragem do casquilho de centragem (reversível)	20 mm ou 25,4 mm (0,8 in ou 1,00 in)	20 mm ou 25,4 mm (0,8 in ou 1,00 in)



	DSH 700-X 14"	DSH 900-X 16"
Diâmetro exterior mínimo do flange	102 mm (4,0 in)	102 mm (4,0 in)
Espessura máxima do disco (espessura de raiz)	5,5 mm (0,22 in)	5,5 mm (0,22 in)
Máximo diâmetro exterior do disco	350 mm (13,8 in)	400 mm (15,7 in)
Torque de aperto para a fixação do disco de corte	25 Nm (18 ftlb)	25 Nm (18 ftlb)

4.2 Valores de emissão de gases de escape

Os valores determinados foram averiguados em condições laboratoriais e resultam do ensaio de um motor representativo do modelo de motor durante um ciclo de ensaio fixo.

Valores de emissão de CO₂ em [g/kWh]	840,1
--	-------

5 Preparação do local de trabalho

5.1 Combustível

O motor a dois tempos trabalha com uma mistura combustível de gasolina e óleo. A qualidade da mistura combustível tem um efeito decisivo sobre o funcionamento e vida útil do motor.

AVISO

Risco de ferimentos. A inalação de vapores de gasolina e o contacto com a gasolina podem representar perigo para a saúde.

- ▶ Evite o contacto directo da pele com a gasolina. Use luvas de protecção.
- ▶ Se sujar a sua roupa com combustível, mude obrigatoriamente de roupa.
- ▶ Providencie um bom arejamento do local de trabalho de modo a evitar a inalação de vapores de gasolina.
- ▶ Utilize um depósito do combustível em conformidade com as regulamentações.

5.1.1 Critérios de selecção do combustível

- ▶ Utilize gasolina normal ou super com um índice de octanas de pelo menos 89 ROZ.

O teor alcoólico (p. ex., etanol, metanol e outros) do combustível utilizado não pode exceder 10%; caso contrário, a esperança de vida do motor será substancialmente afectada.

5.1.2 Óleo para motores a dois tempos

- ▶ Utilize óleo para motores a dois tempos de qualidade para motores refrigerados a ar e que cumpra pelo menos a especificação API-TC.

5.1.3 Misturar o combustível

Certifique-se sempre de que a especificação do óleo para motores a dois tempos está correcta e utilize sempre uma mistura combustível/óleo para motores a dois tempos com a relação de mistura ideal. Evita assim um desgaste excessivo e danos no motor.

A relação de mistura ideal é de **1:50**. Isso corresponde a 1 parte de óleo para motores a dois tempos com a especificação API-TC para 50 partes de gasolina (p. ex., 100 ml de óleo para motores a dois tempos e 5 litros de gasolina por jerrican).

Caso a qualidade do óleo para motores a dois tempos ou da gasolina utilizados não seja conhecida, então aumente a relação de mistura para **1:25**.

1. Primeiro, introduza a quantidade necessária de óleo para motores a dois tempos no depósito do combustível.
2. Em seguida, introduza a gasolina no depósito do combustível.
3. Feche o depósito do combustível.



- Misture o combustível sacudindo o depósito do combustível.

5.1.4 Encher com combustível

- Se existir o seguinte equipamento, execute adicionalmente esta acção:
 - Efetue a mistura de combustível/óleo para motor de dois tempos. 84
- Coloque o produto numa posição vertical estável.
- Abra o depósito de combustível, rodando a tampa no sentido contrário ao dos ponteiros do relógio e retire-a.
- Verta o combustível lentamente utilizando um funil.
- Feche o depósito de combustível, colocando a tampa e rodando-a no sentido dos ponteiros do relógio.
- Feche o depósito do combustível.

5.2 Trabalhos de montagem e de afinação

AVISO

Risco de ferimentos. Se tocar no disco de corte em rotação, isso pode causar ferimentos. As peças da máquina quentes ou um disco de corte quente podem causar queimaduras.

- Tenha em atenção que antes de trabalhos de montagem ou modificação no produto, o motor deve estar desligado, o disco de corte deve estar completamente imobilizado e o produto deve ter arrefecido.
- Use luvas de protecção.

5.2.1 Montar o disco de corte

AVISO

Risco de ferimentos e danos. Discos de corte ou material de fixação incompatíveis podem, durante o funcionamento, ficar destruídos ou causar perda de controlo sobre o produto ou conduzir à quebra do acessório.

- Tenha atenção para que a rotação permitida do disco de corte seja, no mínimo, tão elevada como o número máximo de rotações do fuso indicado no produto. Os discos de corte, flanges e parafusos têm de ser compatíveis com o seu produto.
- Utilize apenas discos de corte, cujos orifícios de alojamento tenham um diâmetro de 20 mm ou 25,4 mm (1") e que caibam no casquilho de centragem.

AVISO

Risco de ferimentos e danos. Discos de corte danificados podem quebrar.

- Assim que o disco de corte tenha sofrido uma pancada, verifique imediatamente se ficou danificado e substitua-o em caso de necessidade.
- Nunca utilize discos de corte danificados, excêntricos ou a vibrar.

AVISO

Risco de ferimentos e danos. Parafusos de fixação demasiado apertados podem originar danos ou quebra do próprio parafuso de fixação ou na anilha montada no parafuso de fixação.

- Aperte o parafuso de fixação sempre de forma segura com o binário indicado.
- Preste atenção para não apertar demasiado o parafuso de fixação.

AVISO

Risco de ferimentos! Em caso de montagem ou desmontagem incorrecta do disco de corte, podem saltar para os olhos partes soltas, dando origem a ferimentos.

- Ao substituir o acessório, use sempre uma protecção para os olhos (óculos de protecção).
- Introduza o perno de retenção no orifício na tampa da correia e rode o disco de corte até que o perno de retenção engate.
 - Solte o parafuso de fixação com a chave no sentido contrário ao dos ponteiros do relógio e retire o parafuso de fixação juntamente com o disco.
 - Retire o perno de retenção.
 - Retire o flange de aperto e o disco de corte.



5. Verifique se o orifício de montagem do disco de corte a montar está alinhado com o flange de centragem do casquilho de centragem.



O casquilho de centragem está provido num dos lados com um flange de centragem de 20 mm de diâmetro e no lado oposto com um flange de centragem de 25,4 mm (1") de diâmetro.

6. Limpe as superfícies de aperto e de centragem no produto bem como no disco de corte.
7. Coloque o disco de corte com colar de centragem no veio de accionamento e tenha atenção ao sentido de rotação correcto.
 - ▶ A seta indicadora do sentido de rotação no disco de corte coincide com o sentido de rotação indicado no produto.
8. Coloque o flange de aperto e o disco no veio de accionamento e aperte o parafuso de fixação no sentido dos ponteiros do relógio.
9. Introduza o perno de retenção no orifício de retenção na tampa da correia e rode o disco de corte até que o perno de retenção engate.
10. Aperte o parafuso de fixação (torque: 25 Nm).
11. Retire o perno de retenção.



CUIDADO

Risco de ferimentos e danos. Acessório danificados podem quebrar.

- ▶ Nunca utilize acessórios danificados, excêntricos ou a vibrar.
- ▶ Mantenha-se fora da zona de perigo.

12. Após a montagem de um disco de corte novo, deixe o seu produto funcionar sem carga, com rotação máxima durante aprox. 1 minuto.

5.2.2 Ajustar o resguardo



AVISO

Risco de ferimentos. O contacto com o disco de corte, partículas projectadas ou faíscas pode ferir pessoas.

- ▶ Ajuste o resguardo de forma a que o sentido de projecção partículas do material removido e das faíscas se desvie do utilizador e do produto.
- ▶ Posicione o resguardo conforme desejado.
 - ▶ Certifique-se de que a abertura do resguardo do disco não está virada para o operador.



O arco de água não pode ser utilizado como punho.

5.2.3 Conversão de posição normal para posição de corte raso



Para poder realizar cortes o mais perto possível de arestas e paredes, a parte dianteira do braço de corte pode ser rodado.

- ▶ Se pretender operar o produto com a posição de corte raso, então mande converter o seu produto no Centro de Assistência Técnica **Hilti**.

5.3 Bloquear o movimento de rotação dos rolos de guia 4



AVISO

Risco de ferimentos. O cortador por abrasão pode mover-se ou cair acidentalmente.

- ▶ Ao trabalhar em telhados, andaimes e/ou superfícies inclinadas, bloqueie sempre o movimento de rotação dos rolos de guia.
1. Solte os parafusos de fixação dos rolos de guia e retire-os.
 2. Rode os rolos de 180° e monte os parafusos de fixação.
 - ▶ A função de bloqueio integrada está activa.
 3. Assegure-se de que os rolos de guia estão fixos com segurança.

5.4 Montar a ferramenta de corte a gasolina no carro-guia (acessório) 5

1. Retire o depósito da água do carro-guia.
2. Coloque a alavanca para regulação da profundidade de corte na posição superior.



3. Abra o depressor aliviando o parafuso em estrela.
4. Coloque a ferramenta de corte com as rodas, como ilustrado, no alojamento dianteiro e desça o punho da mesma abaixo do depressor.
5. Fixe a ferramenta de corte apertando o parafuso em estrela.
6. Coloque o depósito da água cheio.
7. Coloque o punho a uma altura de trabalho que seja confortável para si.
8. Ajuste o resguardo do disco. 86

Certifique-se, particularmente na primeira utilização, de que o cabo do acelerador está correctamente ajustado. Com o acelerador premido, o produto deve chegar à posição de plena carga. Se tal não suceder, o cabo do acelerador pode ser reajustado rodando o tensor do cabo.

Se o cabo do acelerador não for accionado, o disco de corte no funcionamento em vazio permanece parado. Se não for este o caso, colocar imediatamente o interruptor de arranque/paragem na posição "Paragem" e mandar ajustar o cabo do acelerador ou o número de rotações em vazio no Centro de Assistência Técnica **Hilti**.

5.5 Montar a bomba da água (acessório)

1. Desligue o produto.
2. Solte os três parafusos de fixação da cobertura da bomba, retire-a e guarde a cobertura da bomba em local seguro.

Se o produto for operado sem bomba da água, a cobertura da bomba tem de estar montada.

3. Coloque a bomba da água e alinhe, rodando ligeiramente o disco de corte, de igual forma o dentado da bomba da água e a tampa da embraiagem, até que os dentados encaixem uns nos outros.
 - ▶ A posição está codificada, não é possível efectuar uma montagem errada.
4. Monte os três parafusos de fixação e aperte-os com o torque de aperto especificado (torque: 8 Nm).
5. Ligue a mangueira da bomba com a conexão da ferramenta de corte.
6. Retire a capa protectora contra pó da extremidade da mangueira para a ligação de água.
7. Certifique-se de que a pressão da água na canalização de água não excede 6 bar.
 - ▶ Se a pressão na canalização de água for superior a 6 bar, reduza a pressão da água.
8. Feche a bomba da água na canalização de água ou coloque o tubo flexível da admissão por ex. num recipiente com água.

Se a bomba da água não estiver ligada a uma ligação de água, é necessário montar a capa protectora contra o pó na extremidade da mangueira para a ligação de água.

5.6 Desmontar a bomba da água (acessório)

1. Desligue o produto.
2. Corte o fornecimento de água da bomba da água.
3. Coloque a capa protectora contra pó na extremidade da mangueira para a ligação de água.
4. Corte a ligação entre a bomba e o produto.
5. Solte os três parafusos de fixação na bomba e desmonte a bomba.
6. Coloque a cobertura da bomba no produto, monte os três parafusos de fixação e aperte-os (torque: 4 Nm).

5.7 Ligar o motor

PERIGO

Perigo de asfixia. Monóxido de carbono, hidrocarbonetos não queimados e benzol nos gases de escape podem conduzir à asfixia.

- ▶ Não trabalhe em espaços fechados, valas ou poços e garanta uma boa ventilação.



⚠ AVISO

Risco de ferimentos devido a um comportamento imprevisto do produto! Preste atenção a um comportamento atípico do produto. Se observar um dos seguintes fenómenos antes da colocação em funcionamento ou durante o funcionamento, interrompa imediatamente todos os trabalhos com o produto e desligue o produto, p. ex., deslizando o interruptor de arranque/paragem para a posição **Paragem**, pressionando o botão da bomba (bomba de arranque) ou extraindo o conector da vela de ignição. Contacte o Centro de Assistência Técnica **Hilti**.

- ▶ Rotações alteradas, elevadas ou acelerações involuntárias do motor ou disco de corte.
 - ▶ Interruptor on/off, alavanca do acelerador ou outros elementos de comando estão presos, bloqueados ou reagem com atraso ou recuam muito lentamente para a posição inicial.
 - ▶ O disco de corte trava claramente mais devagar do que o previsto ou não trava de todo.
-

⚠ AVISO

Risco de queimaduras. Durante o funcionamento do motor o escape fica extremamente quente. Mesmo após desligar o motor, permanece quente durante muito tempo.

- ▶ Use luvas de protecção e evite tocar no escape.
 - ▶ Não pose o produto quente sobre material inflamável.
-

⚠ AVISO

Risco de ferimentos. Um escape danificado aumenta o nível de ruído acima do limite permitido e aumenta o risco de se sofrer de lesões auditivas.

- ▶ Nunca utilize o produto, se o escape estiver danificado e/ou adaptado ou em falta.
-

⚠ AVISO

Risco de ferimentos ao operar sem a cobertura da bomba de água montada Tocar na ligação da bomba de água durante o funcionamento irá causar ferimentos.

- ▶ Antes do funcionamento, certifique-se de que a cobertura da bomba de água está correctamente montada.
-

⚠ AVISO

Risco de ferimentos por substâncias e gases inflamáveis. Queimaduras e morte podem ser a consequência.

- ▶ Não utilize o produto se substâncias e gases inflamáveis estiverem presentes.
 - ▶ Garanta uma ventilação suficiente.
-

⚠ CUIDADO

Risco de ferimentos por entalamento dos dedos ou risco de queimaduras em caso de montagem da bomba da água. Tocar na carcaça da bomba pode causar queimaduras.

- ▶ Agarre o punho dianteiro apenas em cima no lado esquerdo.
-

1. Prima uma vez a válvula de descompressão.
2. Em caso de arranque a frio, accione a bomba de arranque 2-3 vezes, até que o botão da bomba esteja completamente cheio com combustível.
3. Prima o acelerador de segurança e mantenha-o premido.
4. Prima a alavanca do acelerador e mantenha-o premido.
5. Empurre o interruptor de arranque/paragem para a posição "Arranque".
6. Retire a mão do acelerador de segurança e da alavanca do acelerador.
 - ▶ A posição de meio-gás é activada.
7. Verifique se o disco de corte roda livremente.
8. Coloque o pé direito na parte inferior do punho traseiro.
9. Puxe lentamente, com a mão direita, no arrancador por cabo até que sinta uma resistência.
10. Puxe, com força, o arrancador por cabo.
11. Repita este procedimento até que o motor pegue.
12. Assim que o motor funcionar, prima brevemente a alavanca do acelerador.
 - ▶ O travamento de meio-gás é desactivado e o motor trabalha em vazio.



5.8 Verificações após arranque do motor

1. Verifique se o disco de corte, no funcionamento em vazio, está parado e se após uma curta aceleração a fundo o disco de corte volta a parar completamente no funcionamento em vazio.
 - ▶ No caso de o disco de corte se mover no funcionamento em vazio, reduza o número de rotações em vazio. Se tal não for possível, leve o produto ao Centro de Assistência Técnica **Hilti**.
2. Verifique o funcionamento correcto do interruptor de arranque/paragem. Empurre o interruptor de arranque/paragem para a posição "Paragem".
3. Se o motor não for abaixo, pressione o botão da bomba (bomba de arranque). Se isso não ajudar, retire o conector da vela de ignição e leve o produto ao Centro de Assistência Técnica **Hilti**.

5.9 Desligar o motor

AVISO

Risco de ferimentos. Um disco de corte em rotação pode quebrar e/ou projectar material descontroladamente.

- ▶ Deixe o disco de corte ficar imobilizado antes de pousar o cortador por abrasão.

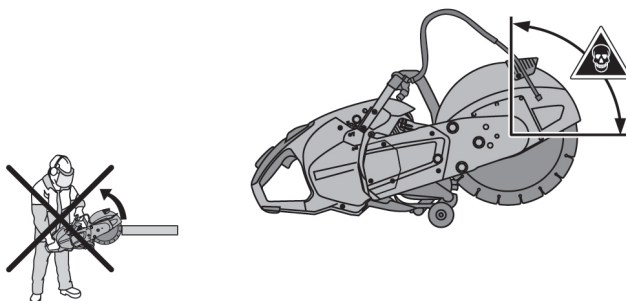
1. Solte a alavanca do acelerador.
2. Empurre o interruptor de arranque/paragem para a posição "Paragem".
 - ▶ O motor pára.

6 Utilização

6.1 Técnica de corte

Evitar coices

Em caso de entrada da ferramenta de corte na área assinalada existe o perigo de um coice.



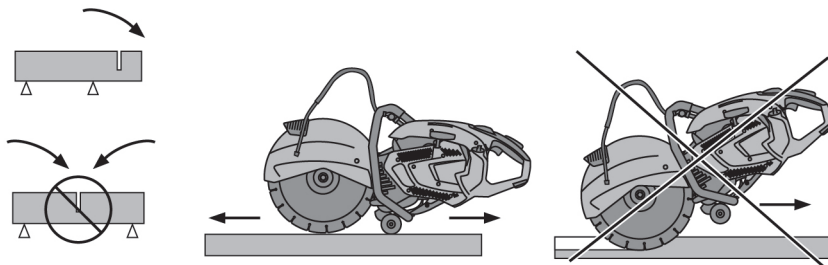
- ▶ Evite a entrada do disco de corte no material base na área assinalada.
- ▶ Coloque o disco de corte sempre a partir de cima sobre a peça. O disco de corte só pode tocar na peça numa posição abaixo do ponto de rotação.
- ▶ Tenha especial cuidado ao aplicar o disco de corte num corte já existente.

Evitar bloqueios

No caso de cortes na direcção do chão, o produto pode saltar sem controlo para a frente quando o disco de corte encrava.

No caso de cortes verticais, por ex., numa parede, o produto pode saltar sem controlo para cima quando o disco de corte encrava.





CUIDADO

Risco de ruptura ou risco de coice. Uma sobrecarga do disco de corte causa a sua torção. Um encravar do disco no corte aumenta a probabilidade de ocorrer um coice ou de o disco quebrar.

- ▶ Não deixe que o disco de corte encrave e evite fazer força excessiva ao cortar.
 - ▶ Não tente obter de imediato uma profundidade de corte excessiva.
-
- ▶ Se possível, corte peças espessas em vários cortes. Evite profundidades de corte demasiado grandes.
 - ▶ Antes de encetar o corte, deixe que a ferramenta de corte alcance a velocidade de rotação máxima.
 - ▶ Coloque o disco de corte em ângulo recto e abaixo do eixo de rotação em contacto com a peça a trabalhar.
 - ▶ Mergulhe o disco de corte, lentamente e sem fazer força excessiva, na peça a trabalhar num movimento de vaivém.
 - ▶ Trabalhe com uma velocidade de avanço moderada, adaptada ao material a trabalhar.



Um progresso de trabalho decrescente pode ser uma indicação de que os segmentos diamantados ficaram embotados. Estes podem ser reafiados através de cortes em material abrasivo (placa de afiar **Hilti** ou arenito calcário abrasivo).

- ▶ Conduza a ferramenta de corte uniformemente e sem exercer força lateral sobre o disco de corte.
- ▶ Segure a ferramenta de corte sempre com as duas mãos nos punhos previstos para o efeito. Mantenha os punhos secos, limpos e isentos de óleo e gordura.
- ▶ Certifique-se de que na área de trabalho e, particularmente, na área situada no sentido de corte, não se encontram quaisquer pessoas. Mantenha outras pessoas aprox. 15 m afastadas do seu local de trabalho.

Posicionar a peça a trabalhar



- ▶ Escolha placas ou peças grandes, de modo que a ranhura de corte permaneça aberta durante e depois do processo de corte.

7 Conservação e manutenção

AVISO

Risco de ferimentos. Tocar no disco de corte em rotação ou em peças da máquina quentes pode causar ferimentos e queimaduras.

- ▶ Desligue o motor para todos os trabalhos de manutenção, reparação, limpeza e conservação e deixe o produto arrefecer.



7.1 Tabela de manutenção

	Antes de iniciar o trabalho	Semestralmente	Em caso de necessidade
Verificar se está em perfeito estado, completa e se tem fugas, reparar se necessário.	✓		
Verificar se há sujidade, limpar se necessário.	✓		
Verificar o funcionamento correcto dos comandos operativos, reparar se necessário.	✓		
Verificar se o disco de corte está em perfeito estado, substituir se necessário.	✓		
Reapertar porcas e parafusos acessíveis pelo exterior.	✓	✓	✓
Verificar se o filtro do combustível está sujo, substituir se necessário.		✓	✓
Substituir o filtro do ar, caso o produto não arranque ou a potência do motor baixe perceptivelmente.			✓
Limpar ou substituir as velas de ignição, caso o produto não arranque ou arranque com dificuldade.			✓
Regular a velocidade de rotação em vazio, caso o disco de corte não se imobilize no funcionamento em vazio.			✓
Mandar reparar o produto no Centro de Assistência Técnica Hilti, caso a correia patine ao sujeitar o disco de corte a carga.			✓

7.2 Limpar ou substituir o filtro do ar

ATENÇÃO

Perigo de danos. A entrada de pó destrói o produto.

- ▶ Não trabalhe de modo algum sem ou com um filtro de ar danificado.
- ▶ Ao substituir o filtro de ar, o produto deve estar na vertical e não inclinado. Certifique-se de que não se deposita pó sobre a tela de filtração situada abaixo do filtro de ar.



Substitua o filtro do ar quando a potência de motor baixe perceptivelmente ou o comportamento do arranque se degradar.

1. Solte os parafusos de fixação na tampa do filtro do ar e retire-a.
2. Retire meticulosamente o pó que adere ao filtro do ar e à respectiva câmara (utilize um aspirador).
3. Solte os quatro parafusos de fixação do suporte do filtro e remova o filtro do ar.
4. Introduza o filtro do ar novo e fixe-o com o suporte do filtro.
5. Coloque a tampa do filtro do ar e aperte os parafusos de fixação.

7.3 Substituir um cabo arrancador partido

ATENÇÃO

Perigo de danos. Um cabo arrancador demasiado curto pode danificar a carcaça.

- ▶ Nunca continue a utilizar um cabo arrancador quebrado, substitua-o.
1. Solte os três parafusos de fixação e retire o grupo do arrancador.
 2. Remova os bocados de cabo que ficaram na bobina e no punho do arrancador.
 3. Faça um nó fixo numa das pontas do cabo arrancador novo e introduza a outra ponta por cima na bobina do cabo.
 4. Passe a ponta livre do cabo por baixo através do orifício na carcaça do arrancador bem como por baixo através do punho do arrancador e faça também um nó fixo na ponta do cabo.
 5. Puxe o cabo arrancador para fora da carcaça como ilustrado e passe-o através da ranhura na bobina.
 6. Segure o cabo arrancador junto da ranhura na bobina e rode-a no sentido dos ponteiros do relógio até encostar.



7. Rode a bobina para trás a partir do ponto de encosto de no mínimo ½ a no máximo 1½ voltas até que a ranhura da bobina coincidir com a passagem na carcaça do arrancador.
8. Segure a bobina e puxe o cabo para fora da carcaça na direcção do punho do arrancador.
9. Segure o cabo esticado e solte a bobina para que o cabo arrancador se possa enrolar por se próprio.
10. Puxe o cabo arrancador para fora até encostar e comprove se nesta posição é possível rodar à mão a bobina no sentido dos ponteiros do relógio de no mínimo ½ volta. Caso tal não seja possível, tem de aliviar-se a mola em uma volta no sentido contrário aos ponteiros do relógio.
11. Coloque o grupo do arrancador e empurre-o com cuidado para baixo. Puxando o cabo arrancador consegue-se que a embraagem engate e o grupo do arrancador fique totalmente apoiado.
12. Fixe o grupo do arrancador com os três parafusos de fixação.

7.4 Substituir o filtro de combustível

AVISO

Risco de ferimentos. A inalação de vapores de gasolina e o contacto com a gasolina podem representar perigo para a saúde.

- ▶ Evite o contacto directo da pele com a gasolina. Use luvas de protecção.
- ▶ Se sujar a sua roupa com combustível, mude obrigatoriamente de roupa.
- ▶ Providencie um bom arejamento do local de trabalho de modo a evitar a inalação de vapores de gasolina.
- ▶ Utilize um depósito do combustível em conformidade com as regulamentações.



Ao abastecer o produto, tenha atenção para que não entre sujidade no depósito do combustível.

1. Abra o depósito do combustível.
2. Retire o filtro do combustível do depósito do combustível.
3. Verifique o filtro do combustível.
 - ▶ Se o filtro do combustível estiver muito sujo, substitua-o.
4. Empurre os grampos na mangueira para trás e retire o filtro de combustível sujo.
5. Coloque um filtro de combustível novo e fixe-o com os grampos na mangueira.
6. Volte a inserir o filtro do combustível no depósito do combustível.
7. Feche o depósito do combustível.

7.5 Limpar a vela de ignição, ajustar a folga dos eléctrodos ou substituir a vela de ignição

CUIDADO

Risco de ferimentos. A vela de ignição e peças do motor podem estar quentes logo após o funcionamento do produto.

- ▶ Deixe o produto arrefecer antes de efectuar trabalhos de manutenção ou conservação.

1. Extraia o conector da vela de ignição com um ligeiro movimento de rotação.
2. Desenrosque a vela de ignição com a chave de velas do cilindro.
3. Se for necessário, limpe o eléctrodo com uma escova de arame macia.
4. Verifique a folga dos eléctrodos e, se necessário, ajuste-a para a folga necessária de 0,7 mm com ajuda de um apalpa folgas.
5. Encaixe a vela de ignição no respectivo conector e seguro a rosca da vela contra o cilindro.
6. Empurre o interruptor de arranque/paragem para a posição "Arranque".

AVISO

Risco de ferimentos. Possibilidade de choque eléctrico ao tocar nos eléctrodos.

- ▶ Não toque nos eléctrodos das velas de ignição.

7. Puxe o arrancador por cabo (pressione a válvula de descompressão).
 - ▶ Agora deve ser bem visível uma faísca de ignição.
8. Aparafuse a vela de ignição com a chave de velas no cilindro (torque: 12 Nm).
9. Encaixe o conector da vela de ignição na vela.



7.6 Afinar o carburador

O carburador deste produto foi perfeitamente ajustado antes da sua entrega. Neste carburador, a velocidade de rotação em vazio pode ser afinada pelo utilizador (bico T). Todos os outros trabalhos de afinação têm de ser realizados pelo Centro de Assistência Técnica **Hilti**.



Manipulações não tecnicamente adequadas na afinação do carburador podem danificar o motor.

- ▶ Limpe o filtro do ar. 91
- ▶ Coloque o produto à temperatura de funcionamento.
- ▶ Utilize uma chave de fendas adequada (largura da ponta 4 mm / $5/32$ ") e não rode o parafuso de ajuste com força para lá da faixa de ajuste permitida.
- ▶ Ajuste o bico de ralenti (T) de forma a que o produto trabalhe suavemente em vazio e o disco de corte se imobilize com segurança.

7.7 Manutenção da ferramenta



Para um funcionamento seguro, utilize apenas peças sobresselentes e consumíveis originais. Poderá encontrar peças sobresselentes, consumíveis e acessórios aprovados pela **Hilti** para o seu produto na sua **Hilti Store** ou em: www.hilti.group

- ▶ Mantenha o produto, particularmente as superfícies do punho, seco, limpo e isento de óleo e gordura.
- ▶ Não utilize produtos de limpeza que contenham silicone.
- ▶ Limpe regularmente o exterior da ferramenta com um pano ligeiramente húmido ou com uma escova seca. Para a limpeza, não utilize qualquer pulverizador, aparelho de jacto de vapor ou água corrente.
- ▶ Evite a penetração de corpos estranhos no interior do produto.

7.8 Manutenção

1. Verifique regularmente todos os componentes e partes externas do produto e dos acessórios quanto a danos e ao seu funcionamento correcto.
2. Não ligue o produto, se houver peças danificadas ou comandos operativos que não estejam a funcionar correctamente. Mandar reparar o produto no Centro de Assistência Técnica **Hilti**.

7.9 Verificação após trabalhos de conservação e manutenção

- ▶ Após trabalhos de conservação e manutenção, verifique se todos os dispositivos de protecção estão encaixados e se funcionam em perfeitas condições.

7.10 Limpar os bicos de água

1. Solte o parafuso de limpeza no arco de água.
2. Limpe o bico de água com um arame.
3. Monte o parafuso de limpeza.

8 Transporte e armazenamento

8.1 Transportar num veículo



AVISO

Risco de incêndio e de explosão. Se o produto tombar durante o transporte, pode haver derrame de combustível do depósito de combustível.

- ▶ Esvazie completamente o depósito de combustível do produto, antes de o embalar e enviar através de uma transportadora.
- ▶ Sempre que possível, transporte o produto na embalagem original.



AVISO

Perigo de incêndio. As peças da máquina quentes podem inflamar o material circundante.

- ▶ Antes de embalar ou carregar o produto num veículo, deixe o produto arrefecer completamente.



1. Desmonte o disco de corte.
2. Proteja o produto para que não tombe, se danifique e derrame o combustível.
3. Transporte o carro-guia apenas com o depósito da água vazio.

8.2 Guardar a mistura combustível

CUIDADO

Risco de ferimentos. Dado que se pode formar pressão no depósito de combustível, existe o perigo de, ao abrir, haver projecção de combustível.

- ▶ Para descarregar lentamente a pressão, abra sempre a tampa do depósito do combustível com cuidado.
- ▶ Guarde o combustível num espaço bem ventilado e seco.

1. Prepare a mistura combustível necessária apenas para alguns dias.
2. Limpe de tempos a tempos o depósito do combustível.

9 Ajuda em caso de avarias

Avaria	Causa possível	Solução
Disco de corte fica mais lento durante o corte ou imobiliza-se.	Pressão de corte excessiva (disco encrava no corte) ou pressão é exercida lateralmente sobre o disco de corte.	▶ Reduza a pressão de corte e conduza o produto a direito.
	O disco de corte não está correctamente montado nem apertado.	▶ Verifique a montagem e o torque de aperto.
	Está ajustado um sentido de rotação errado.	▶ Monte o disco de corte. 85
	Parte dianteira do braço de corte não fixada.	▶ Mande reparar o produto no Centro de Assistência Técnica Hilti.
Vibração elevada, corte desvia-se.	O disco de corte não está correctamente montado nem apertado.	▶ Verifique a montagem e o torque de aperto.
	Disco de corte danificado (especificação inadequada, fissuras, segmentos em falta, torto, sobreaquecido, deformado, etc.).	▶ Substitua o disco de corte.
	Casquilho de centragem incorrectamente montado.	▶ Verifique se a dimensão do orifício de montagem do disco de corte está alinhado com o flange de centragem do casquilho de centragem.
A ferramenta de corte não pega ou só pega com dificuldade.	Depósito de combustível vazio (nenhum combustível no carburador).	▶ Encha o depósito do combustível do produto. 85
	Filtro do ar sujo.	▶ Substitua o filtro do ar.
	Motor encharcado (vela de ignição molhada).	▶ Seque a vela de ignição e a câmara do cilindro (desmontar vela).
	Mistura combustível errada.	▶ Esvazie e lave o depósito e o tubo do combustível. ▶ Encha o depósito do combustível com combustível correcto.
	Ar no tubo do combustível (nenhum combustível no carburador).	▶ Purgar o tubo do combustível accionando várias vezes a bomba de aspiração do combustível.
	Filtro do combustível sujo (nenhum ou insuficiente combustível no carburador).	▶ Limpe o depósito de combustível e substitua o filtro de combustível.



Avaria	Causa possível	Solução
<p>A ferramenta de corte não pega ou só pega com dificuldade.</p>	<p>Não é visível qualquer faísca de ignição ou é apenas visível uma faísca de ignição fraca (na vela de ignição desmontada).</p>	<ul style="list-style-type: none"> ▶ Limpe a vela de ignição do desgaste. ▶ Verifique a folga dos eléctrodos e ajuste-a. ▶ Substitua a vela de ignição. ▶ Verifique a bobina de ignição, cabos, fichas e interruptores, se necessário substitua a peça com defeito.
	<p>Compressão insuficiente.</p>	<ul style="list-style-type: none"> ▶ Verifique a compressão do motor e, se necessário, substitua as peças desgastadas (segmentos do pistão, pistão, cilindro, etc.).
	<p>Temperatura ambiente demasiado baixa.</p>	<ul style="list-style-type: none"> ▶ Aqueça lentamente a ferramenta de corte até à temperatura ambiente e repita o processo de arranque.
	<p>Grelha de protecção contra faíscas ou saída do escape suja.</p>	<ul style="list-style-type: none"> ▶ Limpe a grelha de protecção contra faíscas ou a saída do escape.
	<p>Válvula de descompressão prende.</p>	<ul style="list-style-type: none"> ▶ Mantenha o movimento da válvula livre.
<p>Potência reduzida do motor/de corte</p>	<p>Filtro do ar sujo.</p>	<ul style="list-style-type: none"> ▶ Substitua o filtro do ar.
	<p>Não é visível qualquer faísca de ignição ou é apenas visível uma faísca de ignição fraca (na vela de ignição desmontada).</p>	<ul style="list-style-type: none"> ▶ Limpe a vela de ignição do desgaste. ▶ Verifique a folga dos eléctrodos e ajuste-a. ▶ Substitua a vela de ignição. ▶ Verifique a bobina de ignição, cabos, fichas e interruptores, se necessário substitua a peça com defeito.
	<p>Mistura combustível errada.</p>	<ul style="list-style-type: none"> ▶ Esvazie e lave o depósito e o tubo do combustível. ▶ Encha o depósito do combustível com combustível correcto.
	<p>Especificação inadequada do disco de corte para o material a cortar.</p>	<ul style="list-style-type: none"> ▶ Substitua o disco de corte ou aconselhe-se junto do Consultor de Serviço Hilti.
	<p>Correia de accionamento ou disco de corte patina.</p>	<ul style="list-style-type: none"> ▶ Verifique o aperto do disco. ▶ Mande reparar o produto no Centro de Assistência Técnica Hilti.
	<p>Compressão insuficiente.</p>	<ul style="list-style-type: none"> ▶ Verifique a compressão do motor e, se necessário, substitua as peças desgastadas (segmentos do pistão, pistão, cilindro, etc.).
	<p>Trabalhar a uma altitude superior a 1500 metros acima do nível do mar.</p>	<ul style="list-style-type: none"> ▶ Mande afinar o carburador no Centro de Assistência Técnica Hilti.
	<p>Ajuste não ideal da mistura combustível/ar.</p>	<ul style="list-style-type: none"> ▶ Mande afinar o carburador no Centro de Assistência Técnica Hilti.



Avaria	Causa possível	Solução
O disco de corte não fica parado no funcionamento em vazio.	Velocidade de rotação em vazio demasiado elevada.	► Verifique o número de rotações em vazio e, se necessário, ajuste-o.
	Posição de meio-gás bloqueada.	► Solte a posição de meio-gás.
	Acoplamento centrífugo avariado.	► Substitua o acoplamento centrífugo.
O disco de corte não roda.	Tensão insuficiente da correia ou correia está partida.	► Mande reparar o produto no Centro de Assistência Técnica Hilti .
O grupo do arrancador não funciona.	Garras de acoplamento não engrenam.	► Limpe as garras de acoplamento de modo a que se possam mover novamente.
	Cabo arrancador partido.	► Substitua o cabo arrancador.

10 Reciclagem

Os produtos **Hilti** são, em grande parte, fabricados com materiais recicláveis. Um pré-requisito para a reciclagem é que esses materiais sejam devidamente separados. Em muitos países, a **Hilti** aceita o seu aparelho usado para reutilização. Para mais informações dirija-se ao Serviço de Clientes **Hilti** local ou ao seu vendedor.

Lama resultante de perfuração

Em termos ambientais, não é permitido que a lama resultante da perfuração atinja os rios, lagos ou os sistemas de esgotos sem que haja um pré-tratamento.

- Consulte as normas locais no que se refere a este assunto.

Recomendamos o seguinte pré-tratamento:

- Recolha a lama resultante da perfuração (utilizando, por exemplo, um aspirador de líquidos).
- Deixe sedimentar a lama resultante da perfuração e recicle esses resíduos sólidos de forma apropriada (a adição de um agente de floculação pode acelerar o processo de sedimentação).
- A água resultante dessa lama (alcalina, pH > 7) deve ser neutralizada adicionando-lhe um ácido neutralizador ou uma grande quantidade de água, antes que esta atinja o sistema de drenagem.

11 Mais informações

Pode consultar informações mais pormenorizadas sobre Utilização, Tecnologia, Meio ambiente e Reciclagem na seguinte hiperligação: qr.hilti.com/manual/?id=2364461

Também pode encontrar esta hiperligação no final do manual de instruções sob a forma de código QR.

12 Garantia do fabricante

- Se tiver dúvidas em relação às condições de garantia, contacte o seu parceiro **Hilti** local.

12.1 Declaração de garantia relativa à protecção federal contra emissões

Os seus direitos e obrigações de garantia

A agência de protecção do ambiente dos EUA (EPA), o organismo californiano para protecção do ar (CARB) e a **Hilti** declaram pela presente a garantia de protecção contra emissões para o seu pequeno motor não destinado a utilização rodoviária. Nos EUA e no Canadá, pequenos motores não rodoviários têm de ser concebidos, fabricados e equipados em harmonia com as rigorosas normas federais de combate ao "smog". O motor da ferramenta tem de estar livre de defeitos de material e de fabrico que poderiam levar a um incumprimento das normas EPA dos EUA nos primeiros dois anos após celebração do contrato de compra com o cliente final. Durante os períodos de tempo acima indicados, a **Hilti** tem de prestar garantia para o sistema de protecção contra emissões do seu pequeno motor não rodoviário, a menos que a sua ferramenta tenha sido utilizada não em conformidade com a finalidade a que se destina, negligenciada, ou tiver tido manutenção inadequada. Do seu sistema de protecção contra emissões fazem parte, entre outras, o carburador e o sistema de ignição. Se ocorrer o caso ao abrigo da garantia, a **Hilti** efectuará a reparação gratuitamente. Dos serviços prestados gratuitamente ao abrigo da garantia fazem parte, entre outros, o diagnóstico, as peças sobresselentes e o tempo de trabalho.



Garantia do fabricante

Para todos os motores não rodoviários construídos em 2001 e posteriormente, garante-se, durante o período de dois anos, o cumprimento das determinações EPA e CARB em vigor. Se um componente do motor relacionado com as emissões apresentar um defeito (como referido acima), este será reparado ou substituído pela **Hilti**.

Obrigações de garantia do proprietário

Como proprietário de um pequeno motor não rodoviário é responsável pela realização dos trabalhos de manutenção prescritos pela **Hilti** no manual do utilizador. A **Hilti** recomenda guardar todos os recibos relativos à manutenção do seu pequeno motor não rodoviário; no entanto, a **Hilti** não pode recusar a prestação em garantia simplesmente com base na falta de recibos ou a não realização da sua parte de todos os trabalhos de manutenção necessários. No caso de trabalhos de manutenção e de reparação não ao abrigo da garantia, podem ser utilizados quaisquer componentes ou serviços, equivalentes em termos de prestação e tempo de vida útil, sem que daí advenha uma redução das obrigações de garantia do fabricante do motor. No entanto, informamo-lo, na qualidade de proprietário da pequena ferramenta não rodoviária, que a **Hilti** pode recusar serviços ao abrigo da garantia quando o seu pequeno motor não rodoviário, ou uma peça do mesmo, falhar devido a utilização não conforme à finalidade projectada, negligência, manutenção incorrecta, modificações não autorizadas ou a utilização de peças não fabricadas ou aprovadas pelo fabricante original da ferramenta (OEM). Logo que o problema surja, é sua obrigação apresentar à **Hilti** o seu pequeno motor não rodoviário. Reparações ao abrigo da garantia devem ser realizadas dentro de um período razoável de, no máximo, 30 dias.

Cobertura

A **Hilti** garante ao cliente final e a todos os compradores subsequentes que o seu pequeno motor para ferramentas não rodoviárias está concebido, construído e equipado de modo a cumprir todas as regulamentações em vigor à data da venda. Para além disso, a **Hilti** garante ao primeiro comprador e a todos os compradores subsequentes, para um período de dois anos, que os componentes em garantia relacionados com as emissões estão livres de defeitos de material e de fabrico, que, como consequência, poderiam ter uma não conformidade do motor com as regulamentações. O período de garantia começará no dia da compra do motor não rodoviário pelo primeiro comprador. Se uma peça do seu motor relacionada com as emissões falhar dentro do período de garantia, esta será substituída pela **Hilti** sem despesas para o proprietário. A **Hilti** repara defeitos no âmbito da garantia em centros de serviço e reparação **Hilti**. Trabalhos autorizados, que sejam realizados em centros de serviço e reparação **Hilti** autorizados, são gratuitos para o proprietário, desde que seja comprovado que a peça em garantia está defeituosa. Para trabalhos de manutenção e reparação no âmbito da garantia para peças relacionadas com as emissões, pode ser utilizada qualquer peça equivalente ou aprovada pelo fabricante; esta tem de ser disponibilizada gratuitamente ao proprietário, desde que para a peça ainda vigore o período de garantia. A **Hilti** é responsável por danos em outros componentes do motor, quando provocados por uma peça em garantia, para a qual ainda vigore o período de garantia. A lista de peças para protecção contra emissões do organismo californiano para protecção do ar (California Air Resources Board's Emission Warranty Part List) identifica explicitamente as peças em garantia relacionadas com as emissões. Estas peças são: grupo do carburador, grupo das bobinas, rotor, vela de ignição, filtro do ar, filtro do combustível, colectores de admissão e anéis de vedação.

Medidas de manutenção

O proprietário é responsável pela realização dos trabalhos de manutenção prescritos pela **Hilti** no manual do utilizador.

Limitações

A garantia para sistemas de protecção contra emissões não é válida para o seguinte: a) reparação ou substituição de peças devido a utilização não conforme a finalidade projectada, negligência ou não realização e trabalhos de manutenção necessários, b) reparações realizadas de forma incorrecta ou utilização de peças sobresselentes que não correspondem às especificações da **Hilti** e que prejudiquem o desempenho e/ou o tempo de vida útil, bem como conversões ou modificações que não tenham sido nem recomendadas nem autorizadas por escrito pela **Hilti**, e c) substituição de peças e outros serviços e adaptações no âmbito de trabalhos de manutenção necessários durante e após esta primeira substituição programada. Em todos os outros casos que não os acima mencionados aplicam-se as disposições da secção 12 desta garantia.

12.2 Garantia do fabricante

A **Hilti** garante a reparação ou a substituição de cada peça que apresente um defeito de material ou de fabrico durante o período de 20 anos após a data de compra. Esta garantia é válida enquanto a ferramenta for utilizada e manuseada em conformidade com a finalidade a que se destina, limpa e mantida de forma profissional e em harmonia com o manual de instruções **Hilti**, e mantido o sistema tecnológico. Isto significa que só podem ser utilizados consumíveis, componentes e peças sobresselentes originais **Hilti** para a ferramenta.



Esta garantia limita-se rigorosamente à reparação gratuita e substituição gratuita de peças defeituosas durante todo o tempo de vida útil da ferramenta. A garantia não cobre peças sujeitas a um desgaste normal de uso.

Estão excluídas desta garantia quaisquer outras situações susceptíveis de reclamação, salvo legislação nacional aplicável em contrário. Em particular, a Hilti não será em caso algum responsável por danos directos, indirectos, incidentais e consequentes, perdas ou despesas em relação ou devidas à utilização ou incapacidade de utilização da ferramenta para determinados fins. Estão explicitamente excluídas garantias tácitas com vista à utilização e adequação a uma finalidade específica.

No caso de necessidade de reparação ou substituição, contacte a **Hilti** imediatamente após a detecção do defeito:

Nos EUA:

800.879.8000

Hilti Inc.

7250 Dallas Parkway, Suite 1000

Plano, TX 75024

CS.InboundUS@hilti.com

No Canadá:

800.343.4458

Hilti (Canada) Corporation

2360 Meadowpine Blvd

Mississauga, ON L5N 6S2

CanadaSalesSupport.English@hilti.com

CanadaSalesSupport.French@hilti.com

A presente declaração abrange todas as obrigações de garantia e de prestação de garantia da **Hilti** e substitui todas as declarações anteriores ou contemporâneas, bem como acordos de garantia e de prestação de garantia verbais ou escritos.







Hilti Corporation
LI-9494 Schaan
Tel.:+423 234 21 11
Fax:+423 234 29 65
www.hilti.group



2364461